



<b>Model Number</b>	GR3-CI-TF-182T-6-B-D-1.5-230 460-60
<b>MFG PN</b>	TFC182T1.5U6B
<b>List Price</b>	--

All data shown at HIGH voltage setting

Format | STD 3 Phase

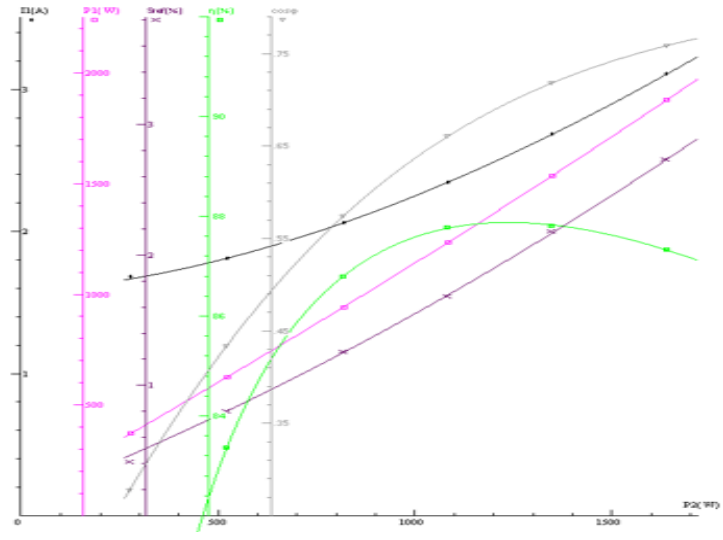
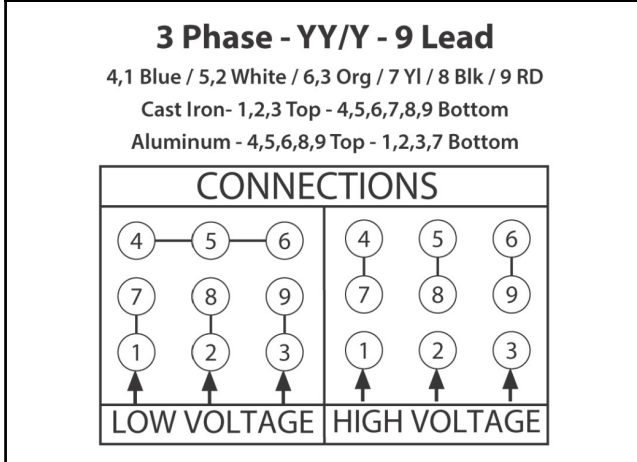
Electrical Data		General Data	
Rated Motor Output Power	1.5 HP	Frame Size	182
Rated Motor Speed	1175 r/min	Enclosure	TEFC
Rated Motor Voltage (3 Phase)	230 460-60 Volts - HZ	Approximate Weight	93.5
Rated Motor Current	4.8/2.4 Amps	NEMA Design	B
Service Factor	1.25	IP Rating	55
KVA Code	L	Insulation Class	F
Nominal Efficiency	87.5 %	Tropicalization	YES
Nominal Power Factor	0.66 cosθ	Duty	Cont.
Full Load Torque Ft-Lb	6.616272 Ft-Lb	Cable Entry	1.25
Temp Rise @ Full Load °C	20.7	Feet Removable	YES
Efficiency Level	IE3 - NEMA Premium	Double Drilled	NO

Load Data	RPM	Trq %FL	Current Amps	Mechanical Data	
Locked Rotor	-	256	17.12	Bearing DE Side	6306 ZZ
Breakdown	-	362	-	Bearing NDE Side	6306 ZZ
Pull Up	-	196	-	Moment of Inertia	kg.m2
125% of FL	1173	-	2.7	Noise Level	Per NEMA dB (A)
75% of FL	1185	-	2		
50% of FL	1190	-	1.83		
No Load	1199	-	1.62		

Hazardous Location	Class 1, Div 2, Grp A,B,C,D		
--------------------	-----------------------------	--	--

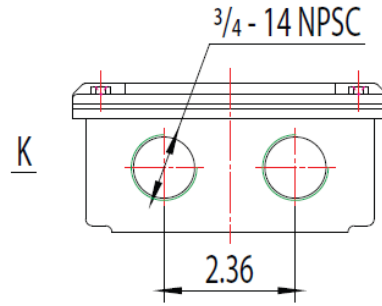
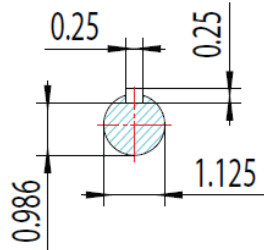
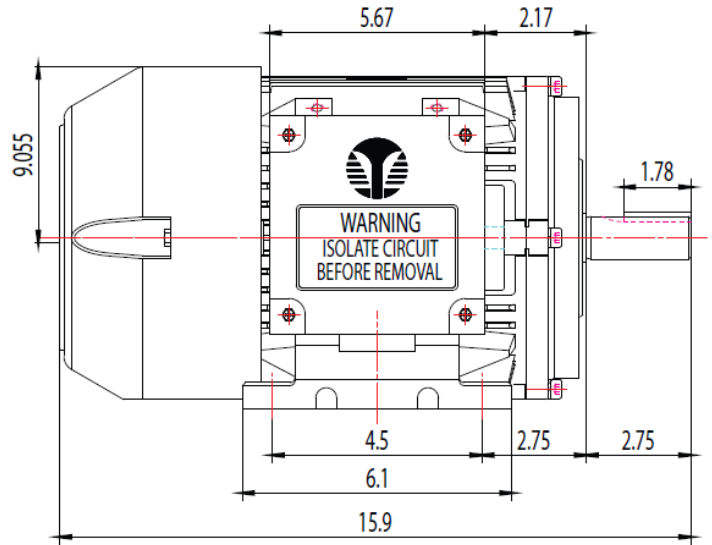
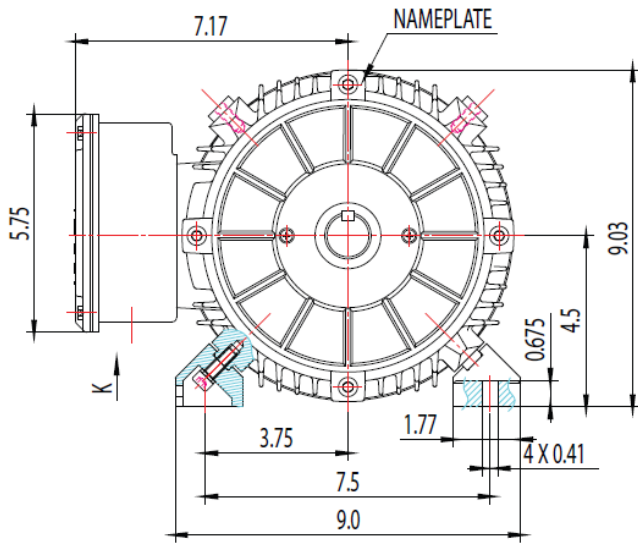
CT VFD Range	--	<b>Loaded Torque Curves</b>	--
<b>P1 = INPUT POWER (KW), S = Slip (% of Sync RPM), η = Efficiency (%), cosφ = Power Factor</b>			

Certifications	UL	CSA	DOE
File Numbers	323353	224693	096A
Wiring Diagram	3PH 9 Lead Dual Voltage		



Model Number	GR3-CI-TF-182T-6-B-D-1.5-230 460-60
MFG PN	TFC182T1.5U6B
List Price	--
Base Frame	GR-182T-CI-TF

FRAME: 182T | HP: | RPM: | PHASE: 3 | VOLT: 208 - 230/460V | ENCL: TEFC | FREQ: 60 Hz | FLA: | LRA:



MODEL NUMBER:  
GR3-CI-TF-182T  
MFG PN:

REV.	BY	DATE
1		
2		
3		
4		
5		
6		
7		

CHANGES

MATERIAL:  
UNITS: INCH | BY: SSEE  
DRAWN: 6/18/2018  
WWW.TECHTOP.COM