



Model Number GR3-CI-TF-182T-4-B-D-3-230|460-60

MFG PN TFC182T3U4B

List Price --

All data shown at HIGH voltage setting

Format STD 3 Phase

Electrical Data		General Data	
Rated Motor Output Power	3 HP	Frame Size	182
Rated Motor Speed	1750 r/min	Enclosure	TEFC
Rated Motor Voltage (3 Phase)	230 460-60 Volts - HZ	Approximate Weight	94.6
Rated Motor Current	7.6/3.8 Amps	NEMA Design	BE
Service Factor	1.25	IP Rating	55
KVA Code	L	Insulation Class	F
Nominal Efficiency	89.5 %	Tropicalization	YES
Nominal Power Factor	0.79 cosθ	Duty	Cont.
Full Load Torque Ft-Lb	8.8512 Ft-Lb	Cable Entry	1.25
Temp Rise @ Full Load °C	24.7	Feet Removable	YES
Efficiency Level	IE3 - NEMA Premium	Double Drilled	NO

Load Data	RPM	Trq %FL	Current Amps	Mechanical Data	
Locked Rotor	-	252	31.28	Bearing DE Side	6306 ZZ
Breakdown	-	334	-	Bearing NDE Side	6306 ZZ
Pull Up	-	209	-	Moment of Inertia	kg.m2
125% of FL	1742	-	4.5	Noise Level	Per NEMA dB (A)
75% of FL	1767	-	2.98		
50% of FL	1779	-	2.36		
No Load		-	1.733		

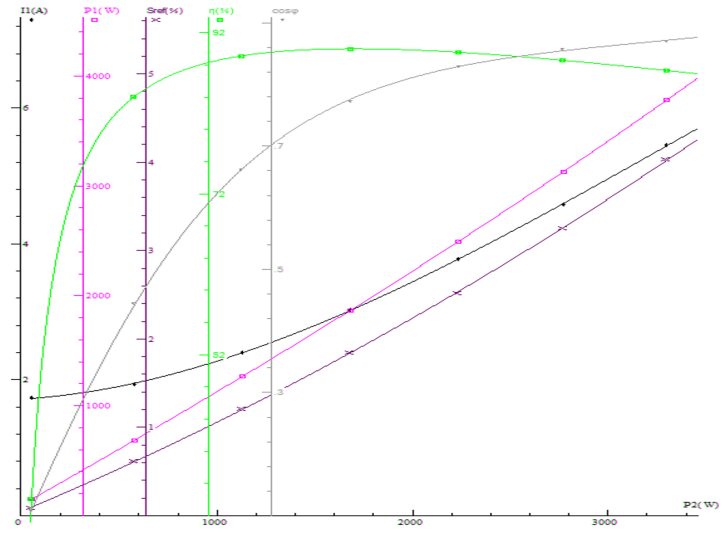
Hazardous Location	Class 1, Div 2, Grp A,B,C,D			Rated Ambient (°C)	40
				Rated Altitude (M)	1000
				Coating	7024 - Graphite Grey
				Shaft Grounding	NO
				Brake Voltage (DC)	
				Brake Torque (N-M)	

CT VFD Range	--	Loaded Torque Curves		--
$P_1 = \text{INPUT POWER (KW)}$, $S = \text{Slip (\% of Sync RPM)}$, $\eta = \text{Efficiency (\%)}$, $\cos\phi = \text{Power Factor}$				

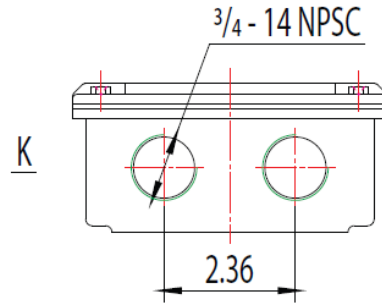
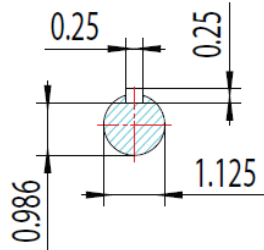
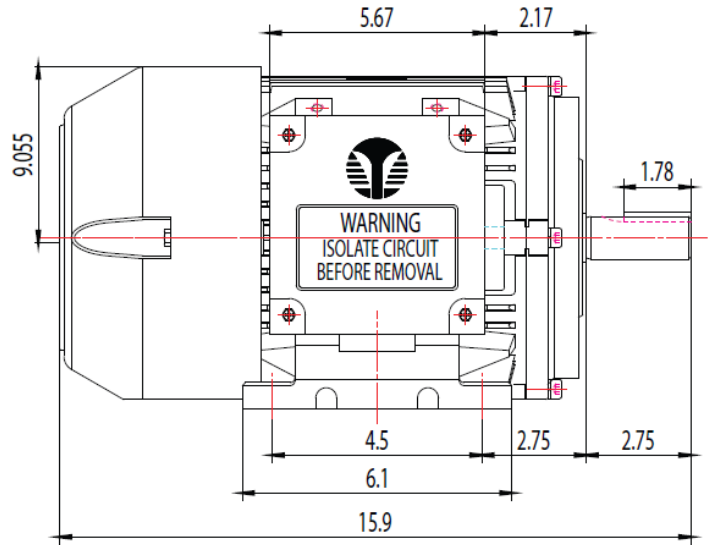
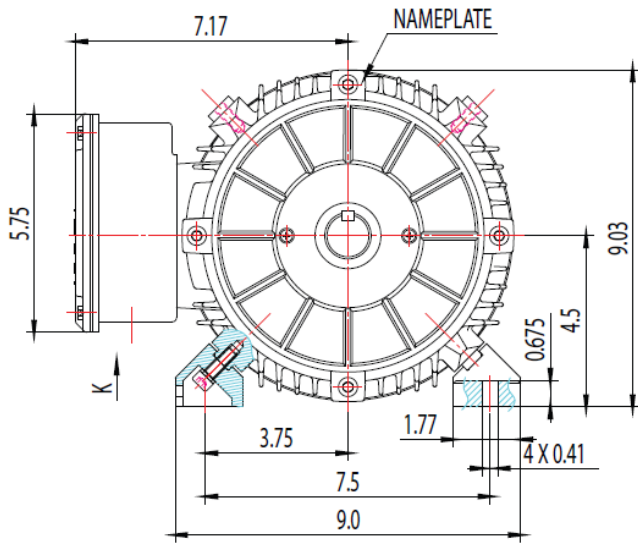
Certifications	UL	CSA	DOE
File Numbers	323353	224693	096A
Wiring Diagram	3PH 9 Lead Dual Voltage		

3 Phase - YY/Y - 9 Lead
 4,1 Blue / 5,2 White / 6,3 Org / 7 Yl / 8 Blk / 9 RD
 Cast Iron- 1,2,3 Top - 4,5,6,7,8,9 Bottom
 Aluminum - 4,5,6,8,9 Top - 1,2,3,7 Bottom

CONNECTIONS					
4	5	6	4	5	6
7	8	9	7	8	9
1	2	3	1	2	3
LOW VOLTAGE			HIGH VOLTAGE		



FRAME: 182T | HP: | RPM: | PHASE: 3 | VOLT: 208 - 230/460V | ENCL: TEFC | FREQ: 60 Hz | FLA: | LRA:



MODEL NUMBER:
GR3-CI-TF-182T
MFG PN:

REV.	BY	DATE
1		
2		
3		
4		
5		
6		
7		

CHANGES

MATERIAL:
UNITS: INCH | BY: SSEE
DRAWN: 6/18/2018
WWW.TECHTOP.COM