



<b>Model Number</b>	GR3-CI-TF-180MB3-4-BR-D-25-230 460-60
<b>MFG PN</b>	T 180M-4
<b>List Price</b>	--

All data shown at HIGH voltage setting

Format | STD 3 Phase

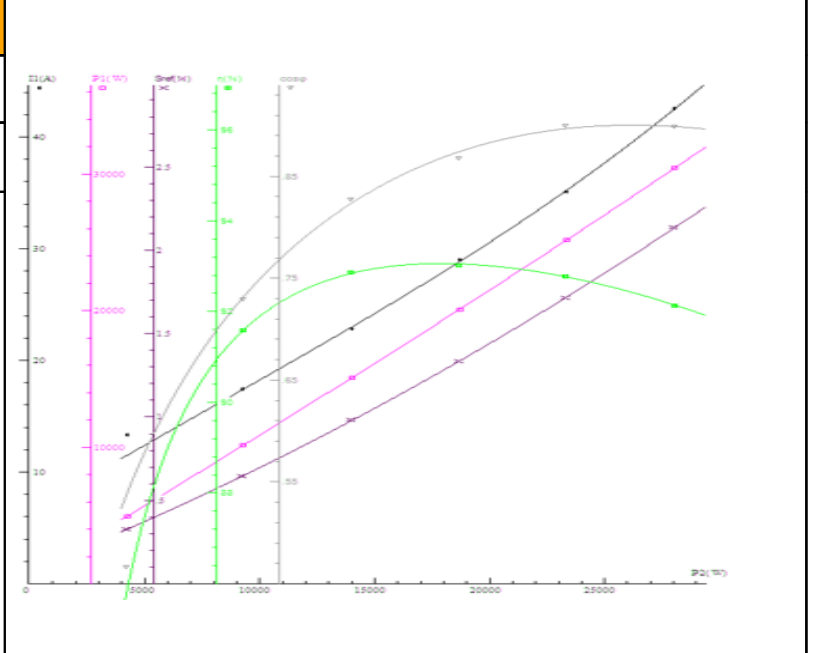
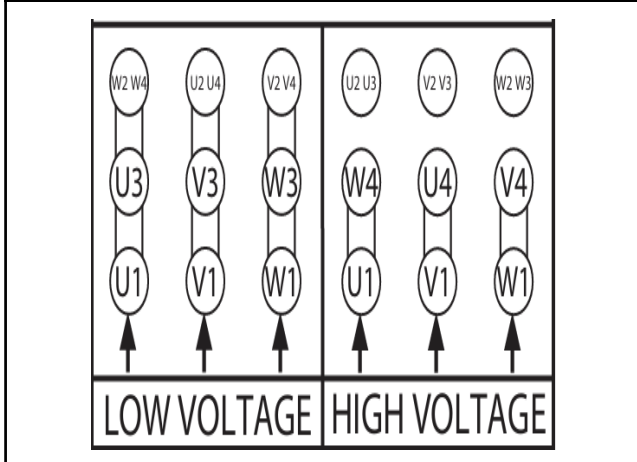
Electrical Data		General Data	
Rated Motor Output Power	25 HP	Frame Size	180
Rated Motor Speed	1775 r/min	Enclosure	TEFC
Rated Motor Voltage (3 Phase)	230 460-60 Volts - HZ	Approximate Weight	372.6
Rated Motor Current	57.7/28.8 Amps	NEMA Design	A
Service Factor	1.15	IP Rating	55
KVA Code	K	Insulation Class	F
Nominal Efficiency	93.6 %	Tropicalization	YES
Nominal Power Factor	0.86 cosθ	Duty	Cont.
Full Load Torque Ft-Lb	73.76 Ft-Lb	Cable Entry	M32 X 1.5
Temp Rise @ Full Load °C	50.7	Feet Removable	YES
Efficiency Level	IE3 - NEMA Premium	Double Drilled	NO

Load Data	RPM	Trq %FL	Current Amps	Mechanical Data	
Locked Rotor	-	283	269	Bearing DE Side	6311 C3
Breakdown	-	350	-	Bearing NDE Side	6311 C3
Pull Up	-	206	-	Moment of Inertia	-- kg.m2
125% of FL	1769	-	35	Noise Level	Per NEMA dB (A)
75% of FL	1782	-	22.92		
50% of FL	1788	-	17.43		
No Load	--	-	11.63		

Hazardous Location	Class 1, Div 2, Grp A,B,C,D	
--------------------	-----------------------------	--

CT VFD Range	--	<b>Loaded Torque Curves</b>	--
<b>P1 = INPUT POWER (KW), S = Slip (% of Sync RPM), η = Efficiency (%), cosφ = Power Factor</b>			

Certifications	UL	CSA	DOE
File Numbers	323353	224693	096A
Wiring Diagram	3PH 12 Lead IEC Dual Voltage		



FRAME: 180MB3    HP:    RPM:    PHASE: 3    VOLT:    ENCL: TEFC    FREQ: 60 Hz    FLA:    LRA:

