



**Model Number** GR3-CI-TF-160MB3-4-BR-D-15-230|460-60

**MFG PN** T 160M-4

**List Price** --

All data shown at HIGH voltage setting

Format | STD 3 Phase

Electrical Data		General Data	
Rated Motor Output Power	15 HP	Frame Size	160
Rated Motor Speed	1770 r/min	Enclosure	TEFC
Rated Motor Voltage (3 Phase)	230 460-60 Volts - HZ	Approximate Weight	279.4
Rated Motor Current	34.7/17.4 Amps	NEMA Design	A
Service Factor	1.15	IP Rating	55
KVA Code	J	Insulation Class	F
Nominal Efficiency	92.4 %	Tropicalization	YES
Nominal Power Factor	0.86 cosθ	Duty	Cont.
Full Load Torque Ft-Lb	44.58792 Ft-Lb	Cable Entry	M32 X 1.5
Temp Rise @ Full Load °C	30.1	Feet Removable	YES
Efficiency Level	IE3 - NEMA Premium	Double Drilled	NO

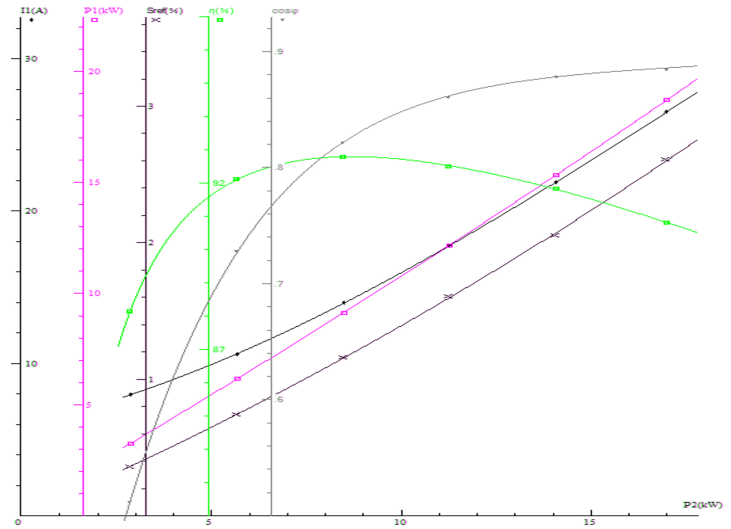
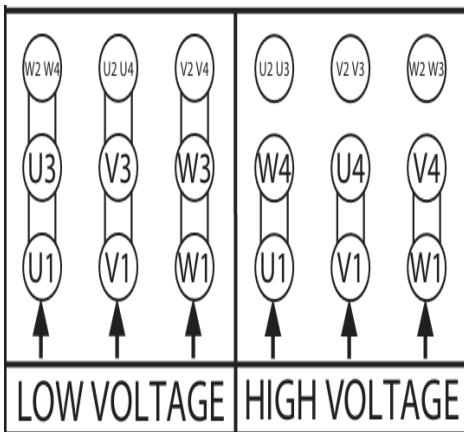
Load Data	RPM	Trq %FL	Current Amps	Mechanical Data	
Locked Rotor	-	250	142	Rated Ambient (°C)	40
Breakdown	-	327	-	Rated Altitude (M)	1000
Pull Up	-	171	-	Coating	7024 - Graphite Grey
125% of FL	1763	-	21.79	Shaft Grounding	NO
75% of FL	1779	-	13.84	Brake Voltage (DC)	--
50% of FL	1787	-	10.56	Brake Torque (N-M)	--
No Load	1797	-	6.87		

Hazardous Location	Class 1, Div 2, Grp A,B,C,D		Moment of Inertia	-- kg.m2
			Noise Level	Per NEMA dB (A)

CT VFD Range	--	<b>Loaded Torque Curves</b>	
$P_1 = \text{INPUT POWER (KW)}$ , $S = \text{Slip (\% of Sync RPM)}$ , $\eta = \text{Efficiency (\%)}$ , $\cos\phi = \text{Power Factor}$			

Certifications	UL	CSA	DOE
File Numbers	323353	224693	096A

**Wiring Diagram** 3PH 12 Lead IEC Dual Voltage



FRAME: 160MB3    HP:    RPM:    PHASE: 3    VOLT:    ENCL: TEFC    FREQ: 60 Hz    FLA:    LRA:

