



Model Number GR3-CI-TF-160MB3-2-BR-D-20-230|460-60

MFG PN T 160M2-2

List Price --

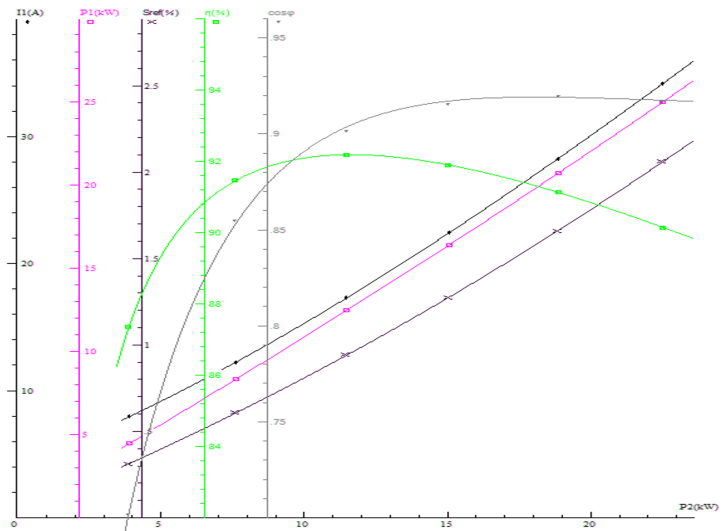
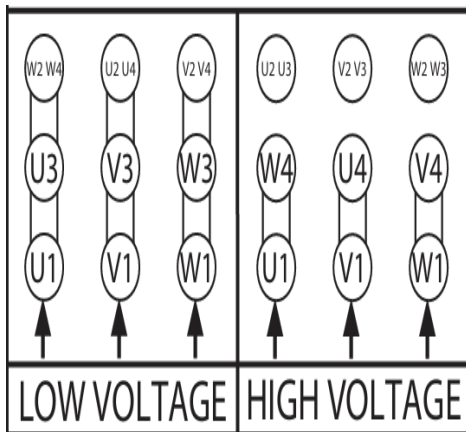
All data shown at HIGH voltage setting

Format STD 3 Phase

Electrical Data				General Data	
Rated Motor Output Power	20 HP			Frame Size	160
Rated Motor Speed	3550 r/min			Enclosure	TEFC
Rated Motor Voltage (3 Phase)	230 460-60 Volts - HZ			Approximate Weight	281.6
Rated Motor Current	45.5/22.7 Amps			NEMA Design	A
Service Factor	1.15			IP Rating	55
KVA Code	J			Insulation Class	F
Nominal Efficiency	91 %			Tropicalization	YES
Nominal Power Factor	0.91 cosθ			Duty	Cont.
Full Load Torque Ft-Lb	29.504 Ft-Lb			Cable Entry	M32 X 1.5
Temp Rise @ Full Load °C	52.2			Feet Removable	YES
Efficiency Level	IE3 - NEMA Premium			Double Drilled	NO
Load Data	RPM	Trq %FL	Current Amps	Rated Ambient (°C)	40
Locked Rotor	-	250	187.1	Rated Altitude (M)	1000
Breakdown	-	302	-	Coating	7024 - Graphite Grey
Pull Up	-	140	-	Shaft Grounding	NO
125% of FL	3541	-	28	Brake Voltage (DC)	--
75% of FL	3567	-	16.98	Brake Torque (N-M)	--
50% of FL	3578	-	12.1	Mechanical Data	
No Load	3594	-	5.47	Bearing DE Side	6309 C3
Hazardous Location	Class 1, Div 2, Grp A,B,C,D			Bearing NDE Side	6309 C3
				Moment of Inertia	-- kg.m2
				Noise Level	Per NEMA dB (A)
CT VFD Range		--		Loaded Torque Curves	
P1 = INPUT POWER (KW), S = Slip (% of Sync RPM), η = Efficiency (%), cosφ = Power Factor					

Certifications	UL	CSA	DOE
File Numbers	323353	224693	096A

Wiring Diagram 3PH 12 Lead IEC Dual Voltage



FRAME: 160MB3 HP: RPM: PHASE: 3 VOLT: ENCL: TEFC FREQ: 60 Hz FLA: LRA:

