



<b>Model Number</b>	GR3-CI-TF-160LB3-4-BR-D-20-230 460-60
<b>MFG PN</b>	T 160L1-4
<b>List Price</b>	--

All data shown at HIGH voltage setting

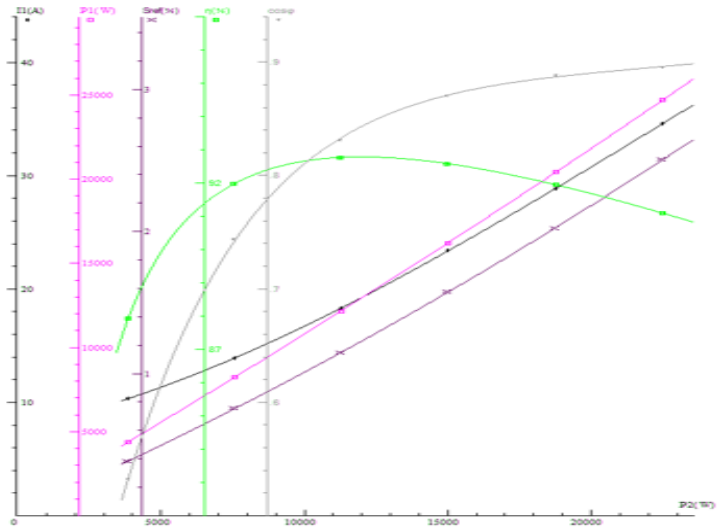
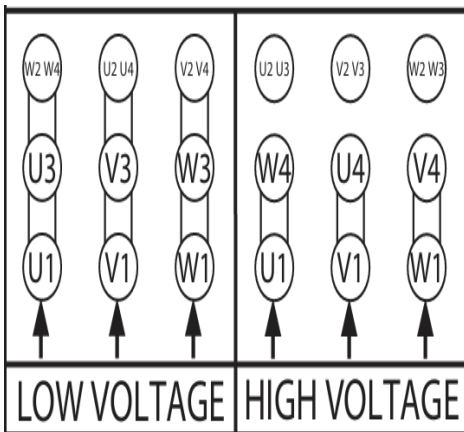
Format | STD 3 Phase

Electrical Data				General Data	
Rated Motor Output Power	20 HP			Frame Size	160
Rated Motor Speed	1770 r/min			Enclosure	TEFC
Rated Motor Voltage (3 Phase)	230 460-60 Volts - HZ			Approximate Weight	341
Rated Motor Current	47.1/23.5 Amps			NEMA Design	A
Service Factor	1.15			IP Rating	55
KVA Code	K			Insulation Class	F
Nominal Efficiency	93 %			Tropicalization	YES
Nominal Power Factor	0.86 cosθ			Duty	Cont.
Full Load Torque Ft-Lb	59.605456 Ft-Lb			Cable Entry	M32 X 1.5
Temp Rise @ Full Load °C	50.6			Feet Removable	YES
Efficiency Level	IE3 - NEMA Premium			Double Drilled	NO
Load Data	RPM	Trq %FL	Current Amps	Rated Ambient (°C)	40
Locked Rotor	-	280	211.2	Rated Altitude (M)	1000
Breakdown	-	352	-	Coating	7024 - Graphite Grey
Pull Up	-	206	-	Shaft Grounding	NO
125% of FL	1763	-	28.8	Brake Voltage (DC)	--
75% of FL	1779	-	18.27	Brake Torque (N-M)	--
50% of FL	1787	-	13.84	Mechanical Data	
No Load	--	-	8.72	Bearing DE Side	6309 C3
Hazardous Location	Class 1, Div 2, Grp A,B,C,D			Bearing NDE Side	6309 C3
				Moment of Inertia	-- kg.m2
				Noise Level	Per NEMA dB (A)

CT VFD Range	--	<b>Loaded Torque Curves</b>	--
<b>P1 = INPUT POWER (KW), S = Slip (% of Sync RPM), η = Efficiency (%), cosφ = Power Factor</b>			

Certifications	UL	CSA	DOE
File Numbers	323353	224693	096A

**Wiring Diagram** 3PH 12 Lead IEC Dual Voltage



FRAME:160LB3-CFC|HP:      RPM:      PHASE: 3      VOLT:      ENCL: TEFC      FREQ: 60 Hz      FLA:      LRA:

