



Model Number	GR3-CI-TF-160LB3-2-BR-D-30-230 460-60
MFG PN	T 160L2-2
List Price	--

All data shown at HIGH voltage setting

Format STD 3 Phase

Electrical Data		General Data	
Rated Motor Output Power	30 HP	Frame Size	160
Rated Motor Speed	3550 r/min	Enclosure	TEFC
Rated Motor Voltage (3 Phase)	230 460-60 Volts - HZ	Approximate Weight	--
Rated Motor Current	66.9/33.5 Amps	NEMA Design	A
Service Factor	1.15	IP Rating	55
KVA Code	J	Insulation Class	F
Nominal Efficiency	91.7 %	Tropicalization	YES
Nominal Power Factor	0.9 cosθ	Duty	Cont.
Full Load Torque Ft-Lb	43.7028 Ft-Lb	Cable Entry	M32 X 1.5
Temp Rise @ Full Load °C	67.5	Feet Removable	YES
Efficiency Level	IE3 - NEMA Premium	Double Drilled	NO

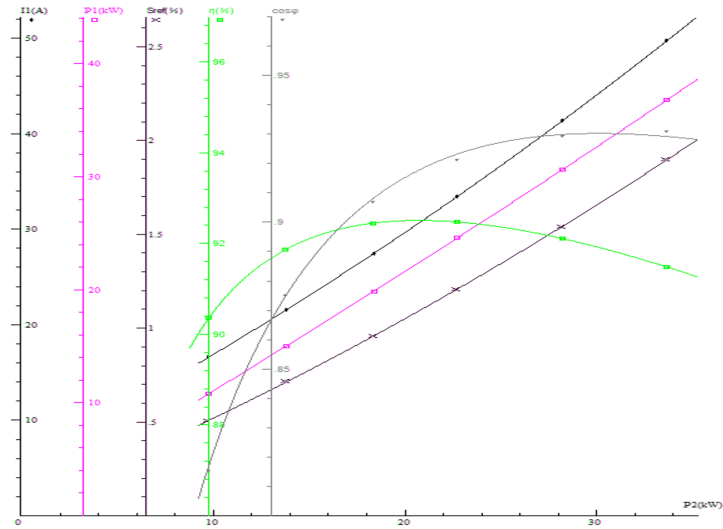
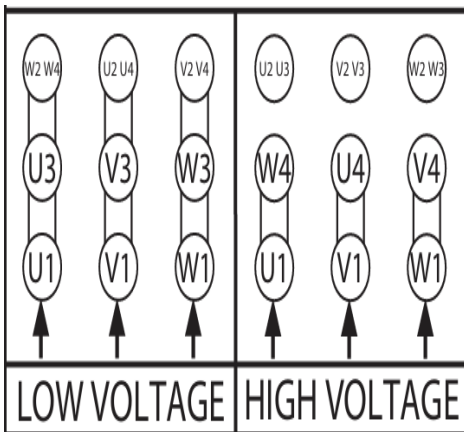
Load Data	RPM	Trq %FL	Current Amps	Mechanical Data	
Locked Rotor	-	310	334.2	Rated Ambient (°C)	40
Breakdown	-	398	-	Rated Altitude (M)	1000
Pull Up	-	193	-	Coating	7024 - Graphite Grey
125% of FL	3546	-	40.28	Shaft Grounding	NO
75% of FL	3569	-	25	Brake Voltage (DC)	--
50% of FL	3579	-	18	Brake Torque (N-M)	--
No Load	3591	-	9		

Hazardous Location	Class 1, Div 2, Grp A,B,C,D		Moment of Inertia	-- kg.m2
			Noise Level	Per NEMA dB (A)

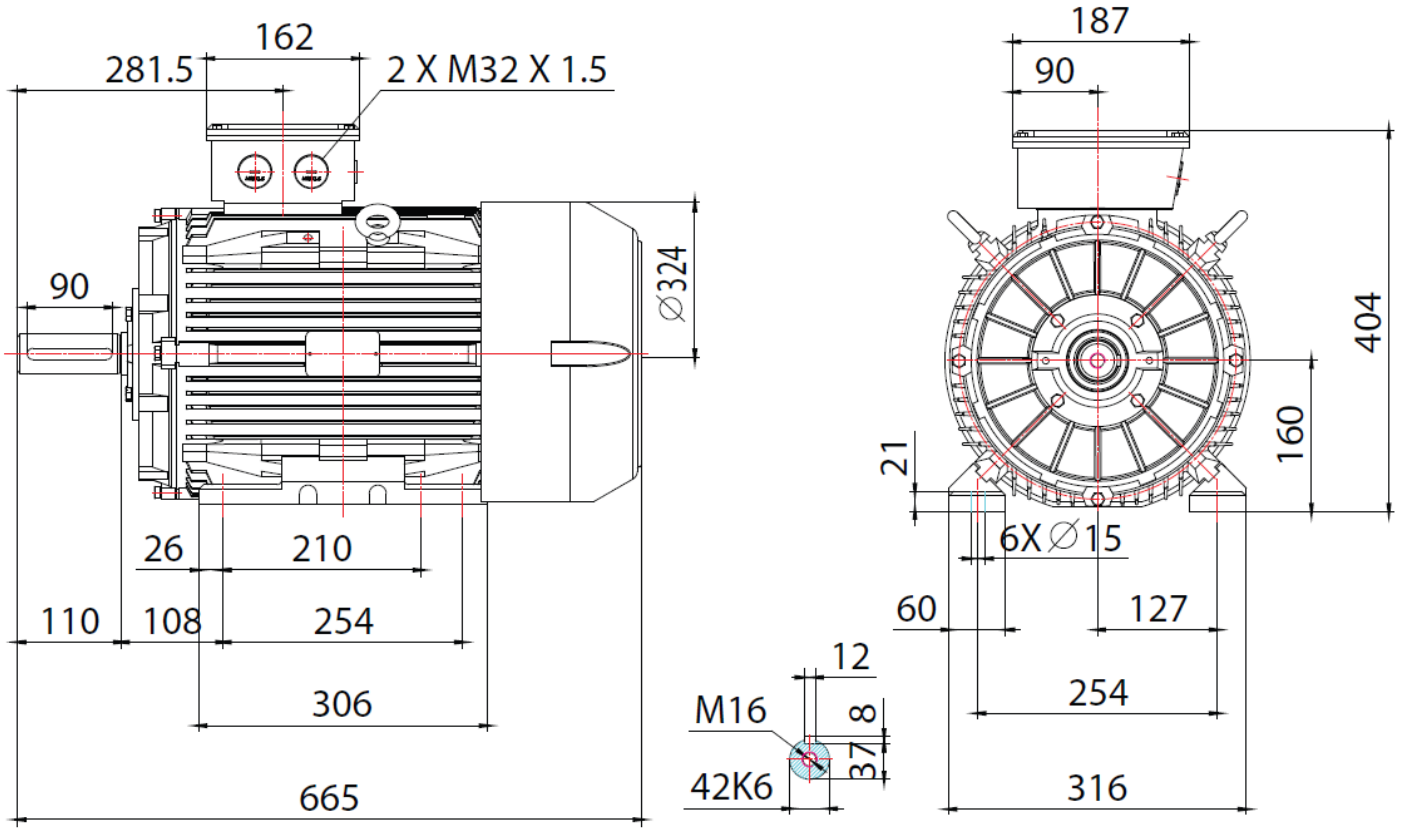
CT VFD Range	--	Loaded Torque Curves	
		P1 = INPUT POWER (KW), S = Slip (% of Sync RPM), η = Efficiency (%), cosφ = Power Factor	

Certifications	UL	CSA	DOE
File Numbers	323353	224693	096A

Wiring Diagram 3PH 12 Lead IEC Dual Voltage



FRAME:160LB3-CFC|HP: RPM: PHASE: 3 VOLT: ENCL: TEFC FREQ: 60 Hz FLA: LRA:



TECHTOP
 MATERIAL: ALUMINUM
 UNITS: INCH BY: SSEE
 DRAWN: 8/20/2018
 WWW.TECHTOP.COM

MODEL NUMBER:
 GR3-CI-TF-160LB3-CFC
 MFG PN:

REV.	BY	DATE
1		
2		
3		
4		
5		
6		
7		

CHANGES