



Model Number	GR3-CI-TF-160LB3-2-BR-D-25-230 460-60
MFG PN	T 160L1-2
List Price	--

All data shown at HIGH voltage setting

Format | STD 3 Phase

Electrical Data		General Data	
Rated Motor Output Power	25 HP	Frame Size	160
Rated Motor Speed	3550 r/min	Enclosure	TEFC
Rated Motor Voltage (3 Phase)	230 460-60 Volts - HZ	Approximate Weight	--
Rated Motor Current	56.3/28.1 Amps	NEMA Design	A
Service Factor	1.15	IP Rating	55
KVA Code	H	Insulation Class	F
Nominal Efficiency	91.7 %	Tropicalization	YES
Nominal Power Factor	0.9 cosθ	Duty	Cont.
Full Load Torque Ft-Lb	36.998016 Ft-Lb	Cable Entry	M32 X 1.5
Temp Rise @ Full Load °C	59.3	Feet Removable	YES
Efficiency Level	IE3 - NEMA Premium	Double Drilled	NO

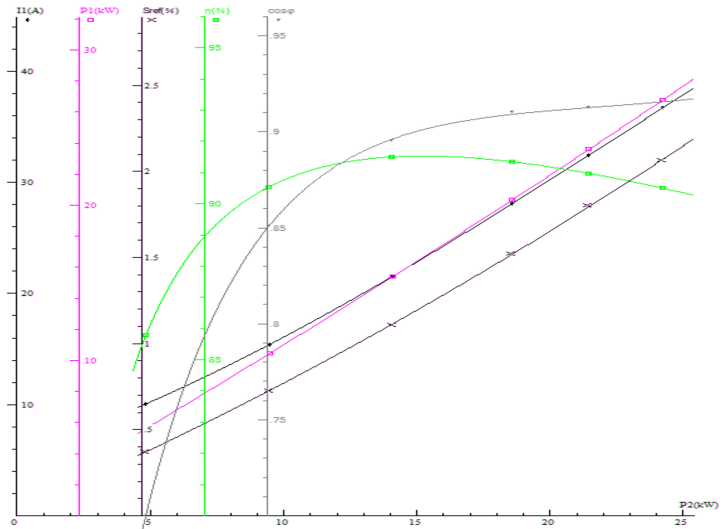
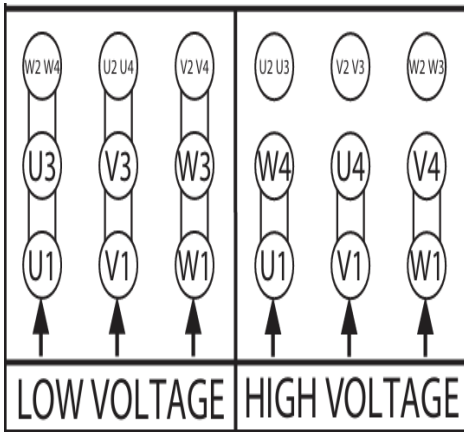
Load Data	RPM	Trq %FL	Current Amps	Mechanical Data	
Locked Rotor	-	322	324.3	Bearing DE Side	6309 C3
Breakdown	-	445	-	Bearing NDE Side	6309 C3
Pull Up	-	225	-	Moment of Inertia	-- kg.m2
125% of FL	3556	-	35.7	Noise Level	Per NEMA dB (A)
75% of FL	3575	-	23.4		
50% of FL	3583	-	18.2		
No Load	3594	-	6.96		

Hazardous Location	Class 1, Div 2, Grp A,B,C,D		
--------------------	-----------------------------	--	--

CT VFD Range	--	Loaded Torque Curves	--
P1 = INPUT POWER (KW), S = Slip (% of Sync RPM), η = Efficiency (%), cosφ = Power Factor			

Certifications	UL	CSA	DOE
File Numbers	323353	224693	096A

Wiring Diagram 3PH 12 Lead IEC Dual Voltage



FRAME:160LB3-CFC|HP: RPM: PHASE: 3 VOLT: ENCL: TEFC FREQ: 60 Hz FLA: LRA:

