



Model Number GR3-CI-OP-444T-4-BR-E-125-460-60

MFG PN TFC444T125U4B

List Price --

All data shown at HIGH voltage setting

Format STD 3 Phase

Electrical Data				General Data	
Rated Motor Output Power	125 HP			Frame Size	444
Rated Motor Speed	1785 r/min			Enclosure	TEFC
Rated Motor Voltage (3 Phase)	460-60 Volts - HZ			Approximate Weight	1476.2
Rated Motor Current	276/138 Amps			NEMA Design	A
Service Factor	1.15			IP Rating	55
KVA Code	K			Insulation Class	F
Nominal Efficiency	95.4 %			Tropicalization	YES
Nominal Power Factor	0.89 cosθ			Duty	Cont.
Full Load Torque Ft-Lb	365.40704 Ft-Lb			Cable Entry	1.25
Temp Rise @ Full Load °C	72.5			Feet Removable	YES
Efficiency Level	IE3 - NEMA Premium			Double Drilled	NO
Load Data	RPM	Trq %FL	Current Amps	Rated Ambient (°C)	40
Locked Rotor	-	197	1260	Rated Altitude (M)	1000
Breakdown	-	185	-	Coating	7024 - Graphite Grey
Pull Up	-	89	-	Shaft Grounding	NO
125% of FL	1781	-	174	Brake Voltage (DC)	
75% of FL	1790	-	103.68	Brake Torque (N-M)	
50% of FL	1793	-	73.63	Mechanical Data	
No Load		-	33.66	Bearing DE Side	6319 C3
Hazardous Location	Class 1, Div 2, Grp A,B,C,D			Bearing NDE Side	6319 C3
				Moment of Inertia	kg.m2
				Noise Level	Per NEMA dB (A)
CT VFD Range		--		Loaded Torque Curves	
				P1 = INPUT POWER (KW), S = Slip (% of Sync RPM), η = Efficiency (%), cosφ = Power Factor	
Certifications	UL	CSA	DOE		
File Numbers	323353	224693	096A		
Wiring Diagram	3PH 12 Lead Dual Voltage				



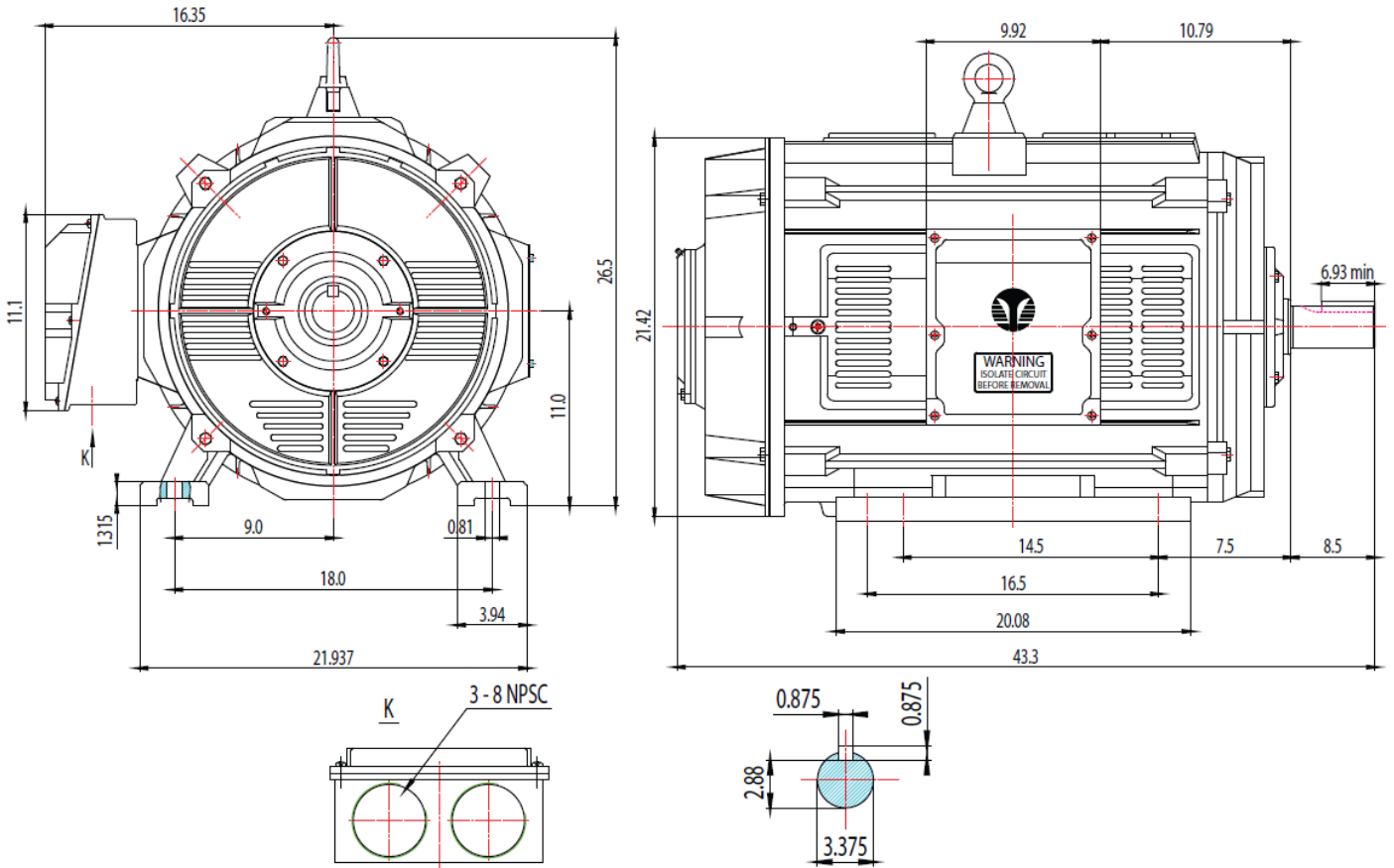
Model Number GR3-CI-OP-444T-4-BR-E-125-460-60

MFG PN TFC444T125U4B

List Price --

Base Frame GR-444T-CI-OP

FRAME: 444T | HP: | RPM: | PHASE: 3 | VOLT: 208-230V | ENCL: OPEN DRIP | FREQ: 60 Hz | FLA: | LRA:



MODEL NUMBER:
GR3-CI-OP-444T
MFG PN:

REV.	BY	DATE	CHANGES
1			
2			
3			
4			
5			
6			
7			

CHANGES

MATERIAL: ALUMINUM
UNITS: INCH BY: SSEE
DRAWN: 6/11/2018
WWW.TECHTOP.COM

Techtop Industries -2815 Colonnades Court - Peachtree Corners, GA 30071 - Phone: (678) 436-5540