



**Model Number** GR3-CI-OP-405T-4-RR-D-100-230|460-60

**MFG PN** TDC405T100U4B

**List Price** --

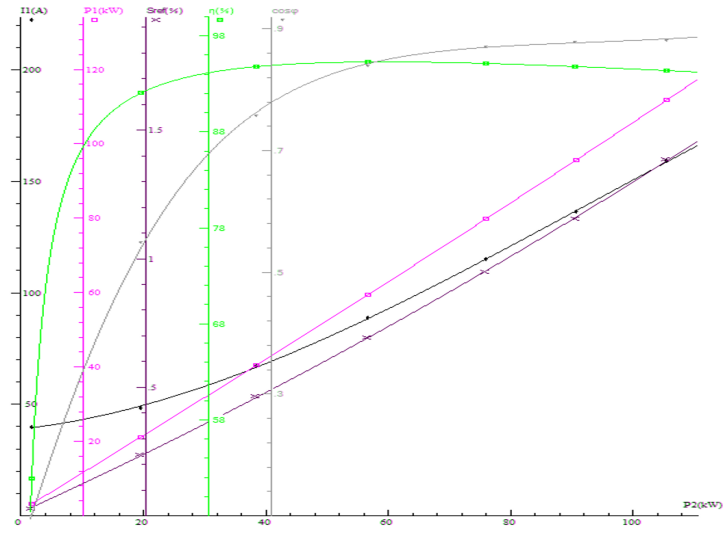
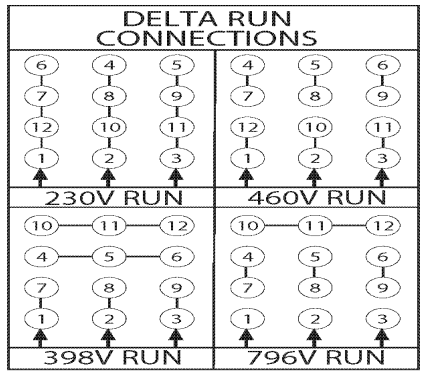
All data shown at HIGH voltage setting

Format | STD 3 Phase

Electrical Data				General Data	
Rated Motor Output Power	100 HP			Frame Size	405
Rated Motor Speed	1780 r/min			Enclosure	ODP
Rated Motor Voltage (3 Phase)	230 460-60 Volts - HZ			Approximate Weight	905.3
Rated Motor Current	229.47/114.73 Amps			NEMA Design	A
Service Factor	1.15			IP Rating	55
KVA Code	F			Insulation Class	F
Nominal Efficiency	95.4 %			Tropicalization	YES
Nominal Power Factor	86 cosθ			Duty	Cont.
Full Load Torque Ft-Lb	291.59 Ft-Lb			Cable Entry	1.25
Temp Rise @ Full Load °C	33.5			Feet Removable	YES
Efficiency Level	IE3 - NEMA Premium			Double Drilled	NO
Load Data	RPM	Trq %FL	Current Amps	Rated Ambient (°C)	40
Locked Rotor	-	304	1053	Rated Altitude (M)	1000
Breakdown	-	297	-	Coating	7024 - Graphite Grey
Pull Up	-	184	-	Shaft Grounding	NO
125% of FL	1783	-	132.26	Brake Voltage (DC)	--
75% of FL	1789	-	91.5	Brake Torque (N-M)	--
50% of FL	1793	-	70	Mechanical Data	
No Load	1799.3	-	45.23	Bearing DE Side	6316 C3
Hazardous Location	--			Bearing NDE Side	6314 C3
				Moment of Inertia	-- kg.m2
				Noise Level	Per NEMA dB (A)

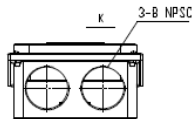
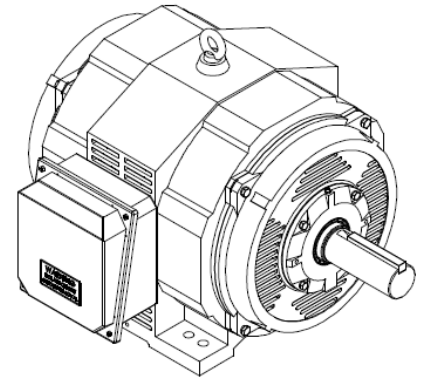
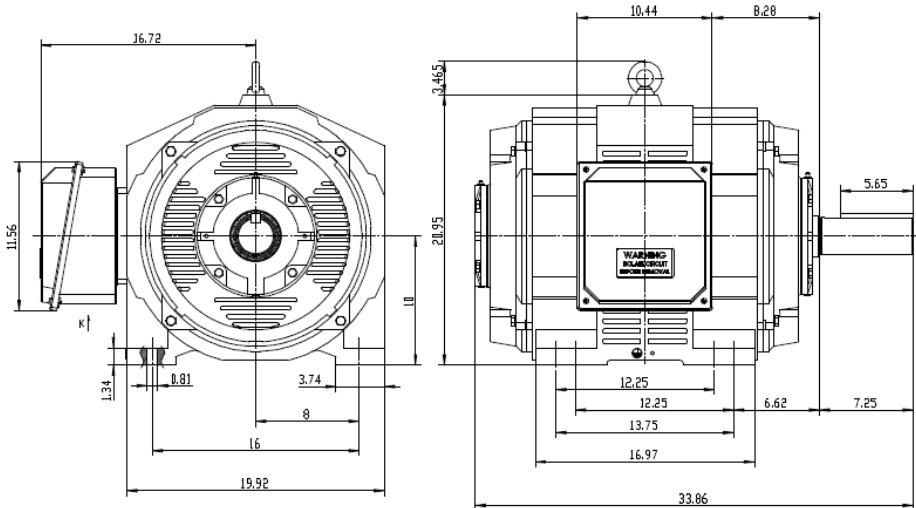
CT VFD Range	--	<b>Loaded Torque Curves</b>	--
<b>P1 = INPUT POWER (KW), S = Slip (% of Sync RPM), η = Efficiency (%), cosφ = Power Factor</b>			

Certifications	UL	CSA	DOE
File Numbers	323353	224693	096A
Wiring Diagram	3PH 12 Lead Dual Voltage		





Model Number	GR3-CI-OP-405T-4-RR-D-100-230 460-60
MFG PN	TDC405T100U4B
List Price	--
Base Frame	GR-405T-CI-OP



		TDC 404-405T NEMA ODP	
Shanghai HIMAK Electrical Machinery CO., LTD		NO:	CY231.A16.002
Design	Standard	STEP MARK	1:5
Checker	Allow	SOR:	Cast Iron Motor
Approval	Date		

Techtop Industries -2815 Colonnades Court - Peachtree Corners, GA 30071 - Phone: (678) 436-5540