



Model Number GR3-CI-OP-365T-4-RR-D-75-230|460-60

MFG PN TDC365T75U4B

List Price --

All data shown at HIGH voltage setting

Format STD 3 Phase

Electrical Data		General Data	
Rated Motor Output Power	75 HP	Frame Size	365
Rated Motor Speed	1775 r/min	Enclosure	ODP
Rated Motor Voltage (3 Phase)	230 460-60 Volts - HZ	Approximate Weight	734.58
Rated Motor Current	170.84/85.42 Amps	NEMA Design	A
Service Factor	1.15	IP Rating	55
KVA Code	F	Insulation Class	F
Nominal Efficiency	95 %	Tropicalization	YES
Nominal Power Factor	87 cosθ	Duty	Cont.
Full Load Torque Ft-Lb	214.83 Ft-Lb	Cable Entry	1.25
Temp Rise @ Full Load °C	37.8	Feet Removable	YES
Efficiency Level	IE3 - NEMA Premium	Double Drilled	NO

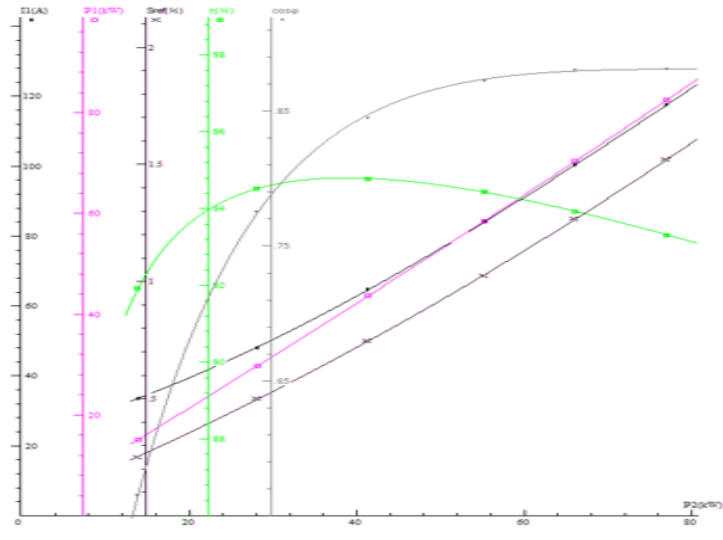
Load Data	RPM	Trq %FL	Current Amps	Mechanical Data	
Locked Rotor	-	260	683	Bearing DE Side	6313 C3
Breakdown	-	268	-	Bearing NDE Side	6313 C3
Pull Up	-	152	-	Moment of Inertia	-- kg.m2
125% of FL	1776	-	104.51	Noise Level	Per NEMA dB (A)
75% of FL	1786	-	64.35		
50% of FL	1791	-	47.53		
No Load	1793	-	27.33		

Hazardous Location		--	Loaded Torque Curves		--
--------------------	--	----	----------------------	--	----

CT VFD Range --

P1 = INPUT POWER (KW), S = Slip (% of Sync RPM), η = Efficiency (%), cosφ = Power Factor

Certifications	UL	CSA	DOE
File Numbers	323353	224693	096A
Wiring Diagram	3PH 12 Lead Dual Voltage		





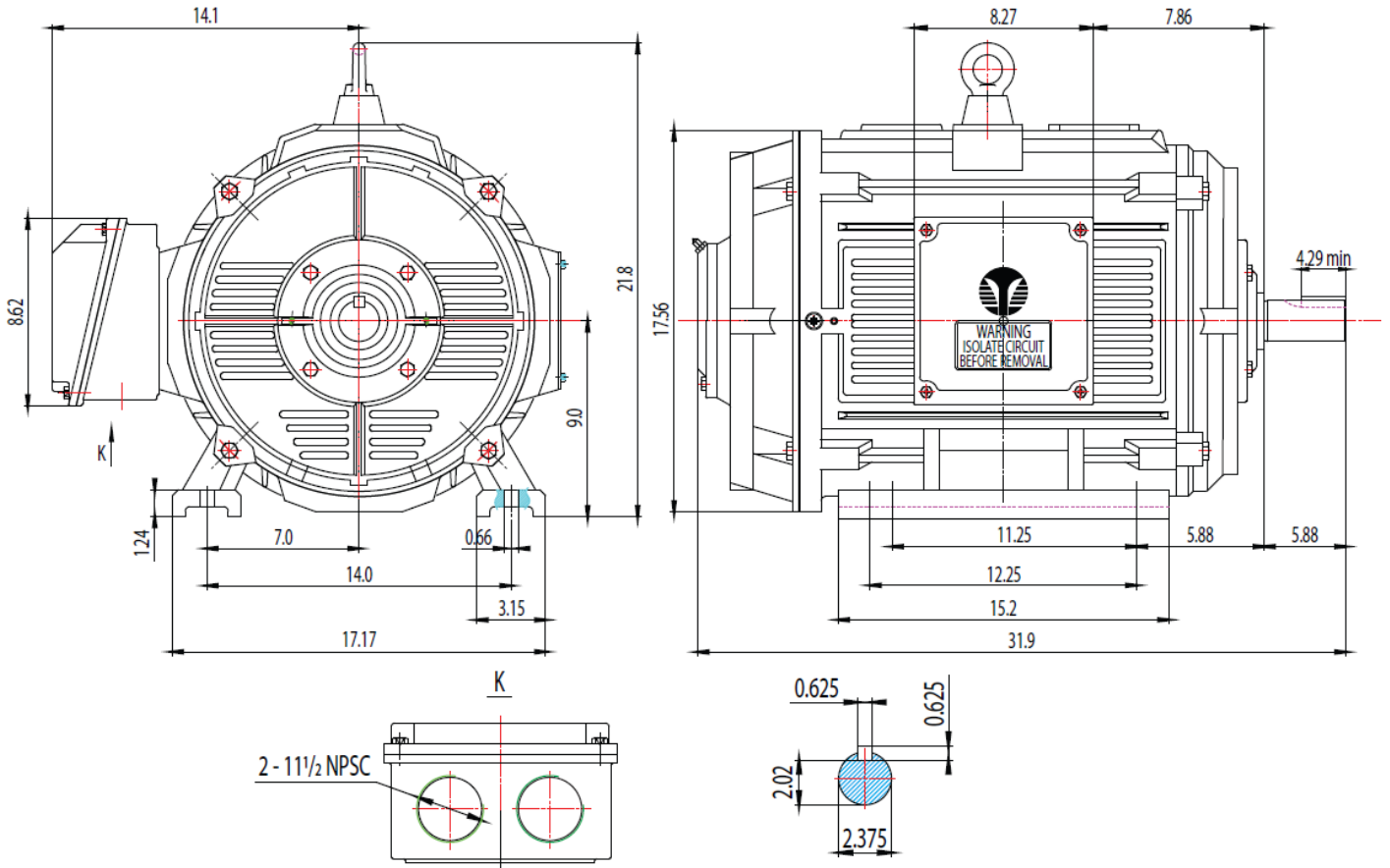
Model Number GR3-CI-OP-365T-4-RR-D-75-230|460-60

MFG PN TDC365T75U4B

List Price --

Base Frame GR-365T-CI-OP

FRAME: 365T HP: RPM: PHASE: 3 VOLT: 208-230V ENCL: OPEN DRIP FREQ: 60 Hz FLA: LRA:



TECHTOP
 MATERIAL: ALUMINUM
 UNITS: INCH BY: SSEE
 DRAWN: 6/11/2018
 WWW.TECHTOP.COM

MODEL NUMBER:
 GR3-CI-OP-365T
 MFG PN:

REV.	BY	DATE
1		
2		
3		
4		
5		
6		
7		

CHANGES