



Model Number GR3-CI-OP-365T-4-BR-D-75-230|460-60

MFG PN TDC365T75U4B

List Price --

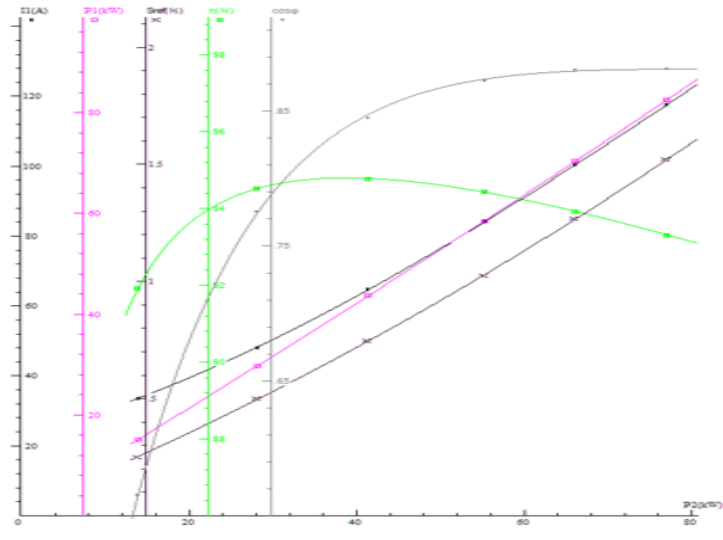
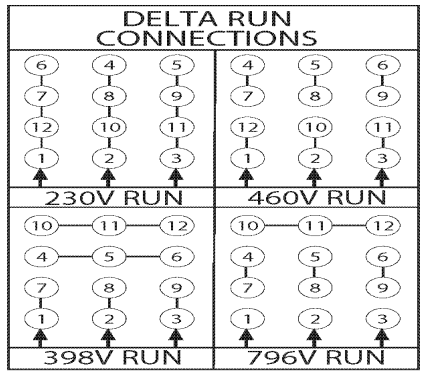
All data shown at HIGH voltage setting

Format STD 3 Phase

Electrical Data				General Data	
Rated Motor Output Power	75 HP			Frame Size	365
Rated Motor Speed	1775 r/min			Enclosure	ODP
Rated Motor Voltage (3 Phase)	230 460-60 Volts - HZ			Approximate Weight	734.58
Rated Motor Current	170.84/85.42 Amps			NEMA Design	A
Service Factor	1.15			IP Rating	55
KVA Code	F			Insulation Class	F
Nominal Efficiency	95 %			Tropicalization	YES
Nominal Power Factor	87 cosθ			Duty	Cont.
Full Load Torque Ft-Lb	214.83 Ft-Lb			Cable Entry	1.25
Temp Rise @ Full Load °C	37.8			Feet Removable	YES
Efficiency Level	IE3 - NEMA Premium			Double Drilled	NO
Load Data	RPM	Trq %FL	Current Amps	Rated Ambient (°C)	40
Locked Rotor	-	260	683	Rated Altitude (M)	1000
Breakdown	-	268	-	Coating	7024 - Graphite Grey
Pull Up	-	152	-	Shaft Grounding	NO
125% of FL	1776	-	104.51	Brake Voltage (DC)	--
75% of FL	1786	-	64.35	Brake Torque (N-M)	--
50% of FL	1791	-	47.53	Mechanical Data	
No Load	1793	-	27.33	Bearing DE Side	6313 C3
Hazardous Location	--			Bearing NDE Side	6313 C3
				Moment of Inertia	-- kg.m2
				Noise Level	Per NEMA dB (A)

CT VFD Range	--	Loaded Torque Curves	--
P1 = INPUT POWER (KW), S = Slip (% of Sync RPM), η = Efficiency (%), cosφ = Power Factor			

Certifications	UL	CSA	DOE
File Numbers	323353	224693	096A
Wiring Diagram	3PH 12 Lead Dual Voltage		





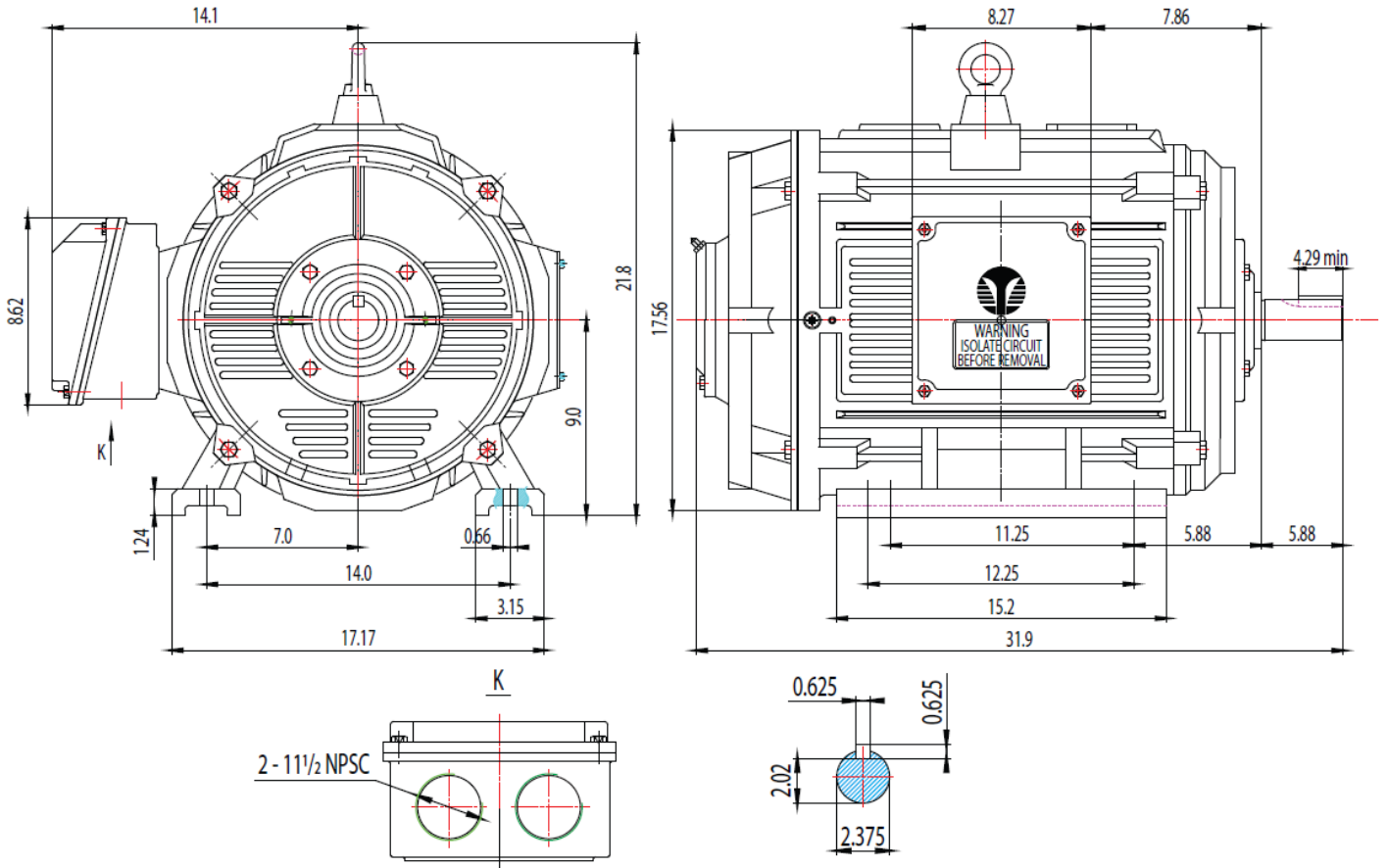
Model Number GR3-CI-OP-365T-4-BR-D-75-230|460-60

MFG PN TDC365T75U4B

List Price --

Base Frame GR-365T-CI-OP

FRAME: 365T HP: RPM: PHASE: 3 VOLT: 208-230V ENCL: OPEN DRIP FREQ: 60 Hz FLA: LRA:



TECHTOP
 MATERIAL: ALUMINUM
 UNITS: INCH BY: SSEE
 DRAWN: 6/11/2018
 WWW.TECHTOP.COM

MODEL NUMBER:
 GR3-CI-OP-365T
 MFG PN:

REV.	BY	DATE
1		
2		
3		
4		
5		
6		
7		

CHANGES