



**Model Number** GR3-CI-OP-364TC-4-BR-D-60-230|460-60

**MFG PN** TDC364T60U4B

**List Price** --

All data shown at HIGH voltage setting

Format STD 3 Phase

Electrical Data		General Data	
Rated Motor Output Power	60 HP	Frame Size	364
Rated Motor Speed	1775 r/min	Enclosure	ODP
Rated Motor Voltage (3 Phase)	230 460-60 Volts - HZ	Approximate Weight	649
Rated Motor Current	138.26/69.13 Amps	NEMA Design	A
Service Factor	1.15	IP Rating	55
KVA Code	F	Insulation Class	F
Nominal Efficiency	95 %	Tropicalization	YES
Nominal Power Factor	86 cosθ	Duty	Cont.
Full Load Torque Ft-Lb	174.57 Ft-Lb	Cable Entry	1.25
Temp Rise @ Full Load °C	54.9	Feet Removable	YES
Efficiency Level	IE3 - NEMA Premium	Double Drilled	NO

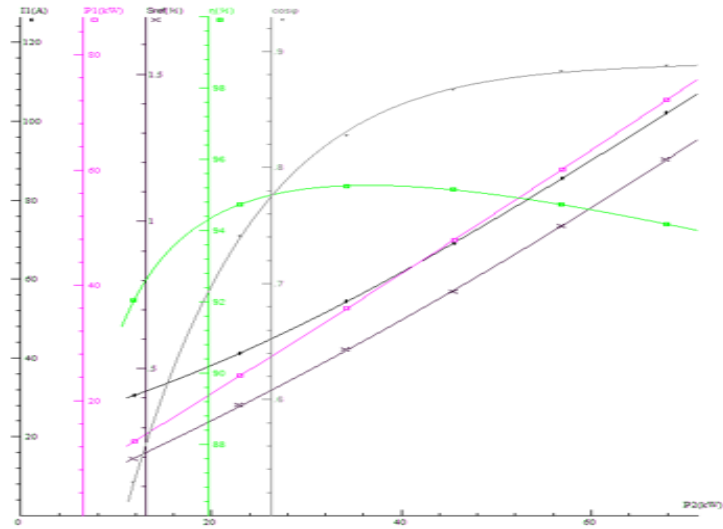
Load Data	RPM	Trq %FL	Current Amps	Mechanical Data	
Locked Rotor	-	312	664.8	Bearing DE Side	6313 C3
Breakdown	-	334	-	Bearing NDE Side	6313 C3
Pull Up	-	209	-	Moment of Inertia	-- kg.m2
125% of FL	1782	-	84.52	Noise Level	Per NEMA dB (A)
75% of FL	1790	-	53.66		
50% of FL	1793	-	40.69		
No Load	1799	-	25.55		

Hazardous Location	--	Loaded Torque Curves		--
--------------------	----	----------------------	--	----

CT VFD Range --

**P1 = INPUT POWER (KW), S = Slip (% of Sync RPM), η = Efficiency (%), cosφ = Power Factor**

Certifications	UL	CSA	DOE
File Numbers	323353	224693	096A
Wiring Diagram	3PH 12 Lead Dual Voltage		





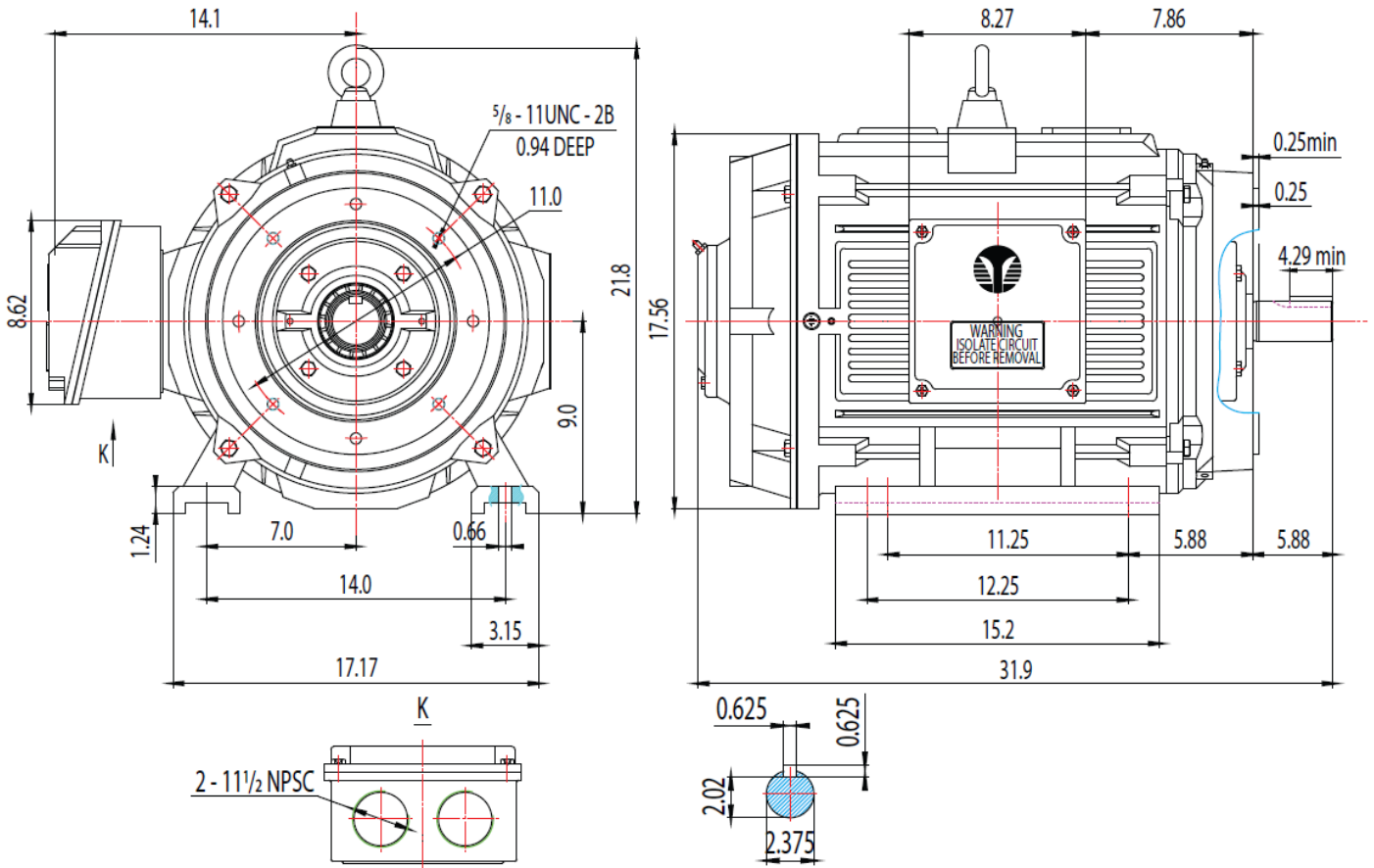
Model Number GR3-CI-OP-364TC-4-BR-D-60-230|460-60

MFG PN TDC364T60U4B

List Price --

Base Frame GR-364TC-CI-OP

FRAME: 364TC HP: RPM: PHASE: 3 VOLT: 208-230V ENCL: OPEN DRIP FREQ: 60 Hz FLA: LRA:



MODEL NUMBER:

GR3-CI-OP-364TC

MFG PN:

REV. BY DATE

1		
2		
3		
4		
5		
6		
7		

CHANGES

MATERIAL: ALUMINUM  
UNITS: INCH BY: SSEE  
DRAWN: 6/13/2018  
WWW.TECHTOP.COM

Techtop Industries -2815 Colonnades Court - Peachtree Corners, GA 30071 - Phone: (678) 436-5540