



Model Number GR3-CI-OP-364T-4-BR-D-60-230|460-60

MFG PN TDC364T60U4B

List Price --

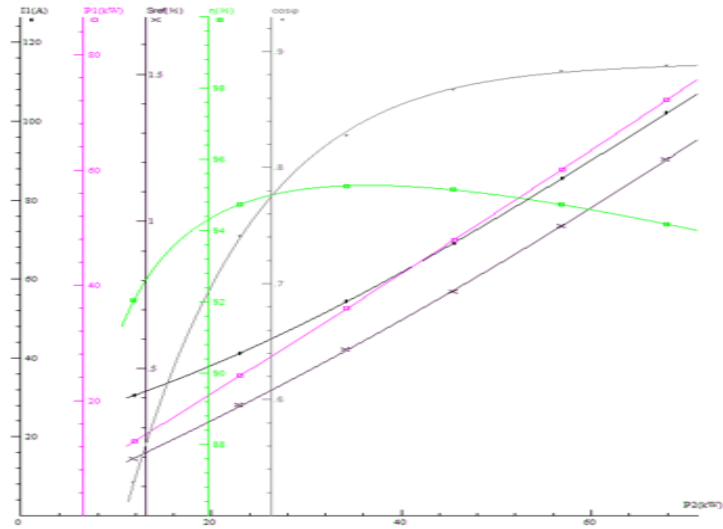
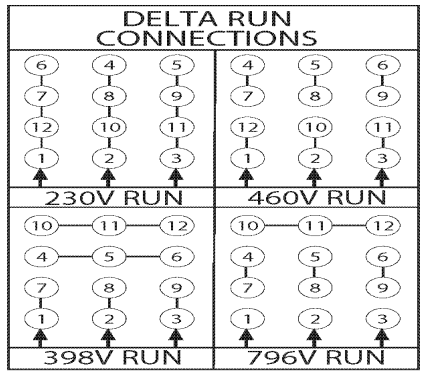
All data shown at HIGH voltage setting

Format STD 3 Phase

Electrical Data				General Data	
Rated Motor Output Power	60 HP			Frame Size	364
Rated Motor Speed	1775 r/min			Enclosure	ODP
Rated Motor Voltage (3 Phase)	230 460-60 Volts - HZ			Approximate Weight	649
Rated Motor Current	138.26/69.13 Amps			NEMA Design	A
Service Factor	1.15			IP Rating	55
KVA Code	F			Insulation Class	F
Nominal Efficiency	95 %			Tropicalization	YES
Nominal Power Factor	86 cosθ			Duty	Cont.
Full Load Torque Ft-Lb	174.57 Ft-Lb			Cable Entry	1.25
Temp Rise @ Full Load °C	54.9			Feet Removable	YES
Efficiency Level	IE3 - NEMA Premium			Double Drilled	NO
Load Data	RPM	Trq %FL	Current Amps	Rated Ambient (°C)	40
Locked Rotor	-	312	664.8	Rated Altitude (M)	1000
Breakdown	-	334	-	Coating	7024 - Graphite Grey
Pull Up	-	209	-	Shaft Grounding	NO
125% of FL	1782	-	84.52	Brake Voltage (DC)	--
75% of FL	1790	-	53.66	Brake Torque (N-M)	--
50% of FL	1793	-	40.69	Mechanical Data	
No Load	1799	-	25.55	Bearing DE Side	6313 C3
Hazardous Location	--			Bearing NDE Side	6313 C3
				Moment of Inertia	-- kg.m2
				Noise Level	Per NEMA dB (A)

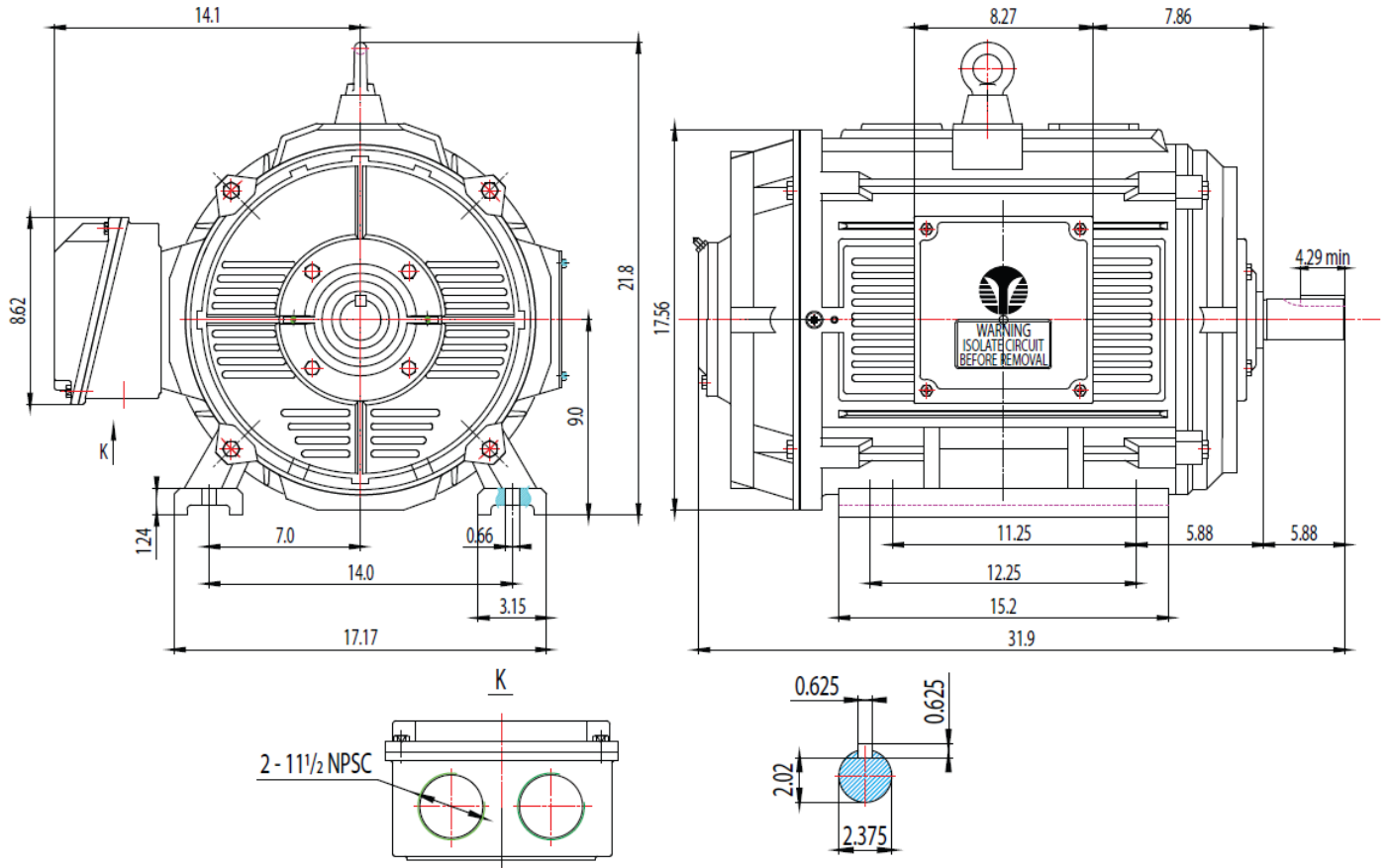
CT VFD Range	--	Loaded Torque Curves	--
P1 = INPUT POWER (KW), S = Slip (% of Sync RPM), η = Efficiency (%), cosφ = Power Factor			

Certifications	UL	CSA	DOE
File Numbers	323353	224693	096A
Wiring Diagram	3PH 12 Lead Dual Voltage		



Model Number	GR3-CI-OP-364T-4-BR-D-60-230 460-60
MFG PN	TDC364T60U4B
List Price	--
Base Frame	GR-364T-CI-OP

FRAME: 364T HP: RPM: PHASE: 3 VOLT: 208-230V ENCL: OPEN DRIP FREQ: 60 Hz FLA: LRA:



TECHTOP
MATERIAL: ALUMINUM
UNITS: INCH BY: SSEE
DRAWN: 6/11/2018
WWW.TECHTOP.COM

MODEL NUMBER:	REV.	BY	DATE	CHANGES
GR3-CI-OP-364T	1			
MFG PN:	2			
	3			
	4			
	5			
	6			
	7			