



Model Number GR3-CI-OP-326T-4-BR-D-50-230|460-60

MFG PN TDC326T50U4B

List Price --

All data shown at HIGH voltage setting

Format STD 3 Phase

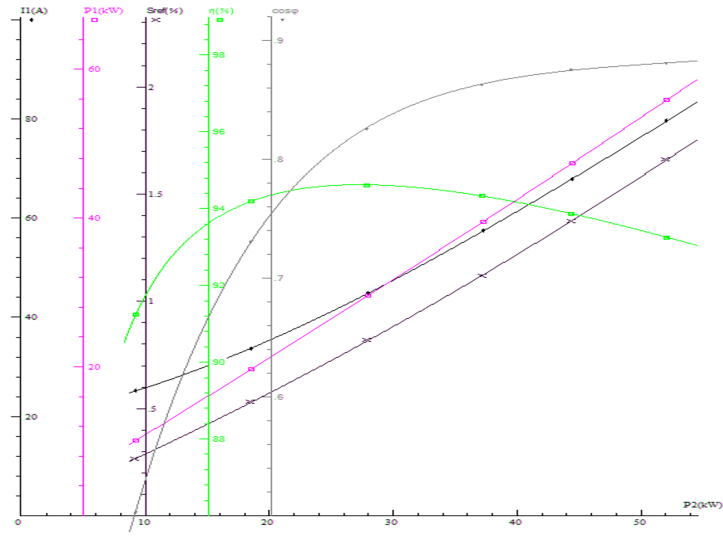
Electrical Data		General Data	
Rated Motor Output Power	50 HP	Frame Size	326
Rated Motor Speed	1770 r/min	Enclosure	ODP
Rated Motor Voltage (3 Phase)	230 460-60 Volts - HZ	Approximate Weight	528
Rated Motor Current	114.49/57.24 Amps	NEMA Design	A
Service Factor	1.15	IP Rating	55
KVA Code	E	Insulation Class	F
Nominal Efficiency	94.5 %	Tropicalization	YES
Nominal Power Factor	87 cosθ	Duty	Cont.
Full Load Torque Ft-Lb	147.43 Ft-Lb	Cable Entry	1.25
Temp Rise @ Full Load °C	61.1	Feet Removable	YES
Efficiency Level	IE3 - NEMA Premium	Double Drilled	NO

Load Data	RPM	Trq %FL	Current Amps	Mechanical Data	
Locked Rotor	-	287	313	Rated Ambient (°C)	40
Breakdown	-	297	-	Rated Altitude (M)	1000
Pull Up	-	274	-	Coating	7024 - Graphite Grey
125% of FL	1773	-	49.88	Shaft Grounding	NO
75% of FL	1785	-	44.96	Brake Voltage (DC)	--
50% of FL	1790	-	33.92	Brake Torque (N-M)	--
No Load	1794	-	21.4		

Load Data		Current Amps		Mechanical Data	
Hazardous Location	--			Bearing DE Side	6312 C3
				Bearing NDE Side	6312 C3
				Moment of Inertia	-- kg.m2
				Noise Level	Per NEMA dB (A)

CT VFD Range		Loaded Torque Curves	
	--	P1 = INPUT POWER (KW), S = Slip (% of Sync RPM), η = Efficiency (%), cosφ = Power Factor	

Certifications	UL	CSA	DOE
File Numbers	323353	224693	096A
Wiring Diagram	3PH 12 Lead Dual Voltage		





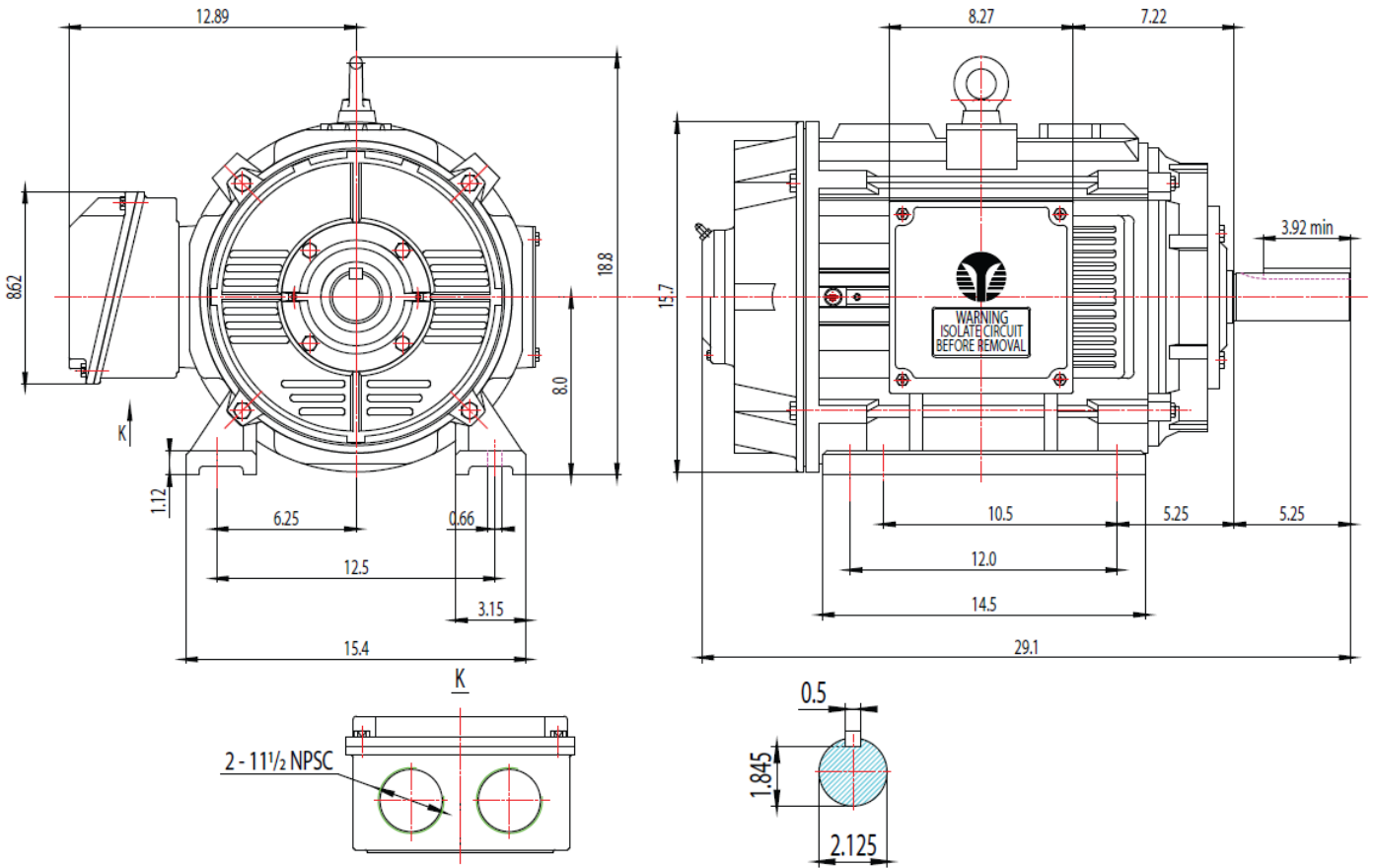
Model Number GR3-CI-OP-326T-4-BR-D-50-230|460-60

MFG PN TDC326T50U4B

List Price --

Base Frame GR-326T-CI-OP

FRAME: 326T | HP: | RPM: | PHASE: 3 | VOLT: 208-230V | ENCL: OPEN DRIP | FREQ: 60 Hz | FLA: | LRA:



TECHTOP
 MATERIAL: ALUMINUM
 UNITS: INCH BY: SSEE
 DRAWN: 6/11/2018
 WWW.TECHTOP.COM

MODEL NUMBER:
 GR3-CI-OP-326T
 MFG PN:

REV.	BY	DATE
1		
2		
3		
4		
5		
6		
7		

CHANGES