



Model Number GR3-CI-OP-286T-4-BR-D-30-230|460-60

MFG PN TDC286T30U4B

List Price --

All data shown at HIGH voltage setting

Format STD 3 Phase

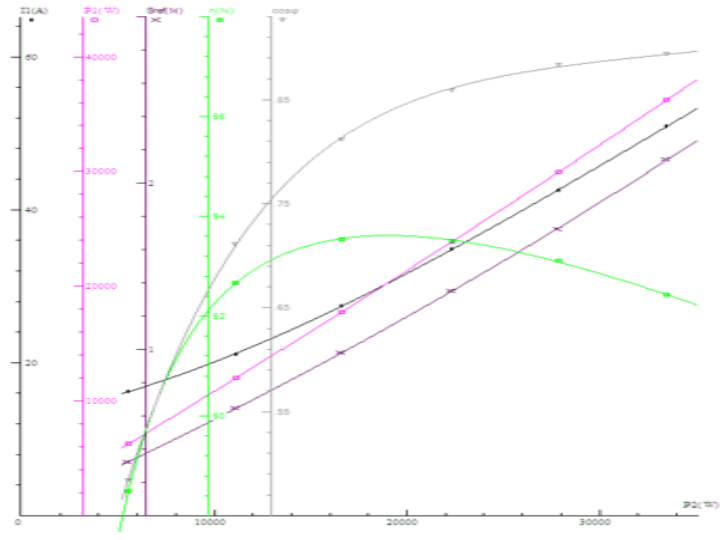
Electrical Data		General Data	
Rated Motor Output Power	30 HP	Frame Size	286
Rated Motor Speed	1770 r/min	Enclosure	ODP
Rated Motor Voltage (3 Phase)	230 460-60 Volts - HZ	Approximate Weight	429
Rated Motor Current	70.61/35.3 Amps	NEMA Design	A
Service Factor	1.15	IP Rating	55
KVA Code	F	Insulation Class	F
Nominal Efficiency	94.1 %	Tropicalization	YES
Nominal Power Factor	85 cosθ	Duty	Cont.
Full Load Torque Ft-Lb	88.89 Ft-Lb	Cable Entry	1.25
Temp Rise @ Full Load °C	59.6	Feet Removable	YES
Efficiency Level	IE3 - NEMA Premium	Double Drilled	NO

Load Data	RPM	Trq %FL	Current Amps	Mechanical Data	
Locked Rotor	-	250	214	Rated Ambient (°C)	40
Breakdown	-	290	-	Rated Altitude (M)	1000
Pull Up	-	164	-	Coating	7024 - Graphite Grey
125% of FL	1764	-	41.44	Shaft Grounding	NO
75% of FL	1779	-	26.23	Brake Voltage (DC)	--
50% of FL	1786	-	19.57	Brake Torque (N-M)	--
No Load	--	-	11.17		

Hazardous Location	--	Bearing DE Side	6311 C3
		Bearing NDE Side	6311 C3
		Moment of Inertia	-- kg.m2
		Noise Level	Per NEMA dB (A)

CT VFD Range	--	Loaded Torque Curves	--
P1 = INPUT POWER (KW), S = Slip (% of Sync RPM), η = Efficiency (%), cosφ = Power Factor			

Certifications	UL	CSA	DOE
File Numbers	323353	224693	096A
Wiring Diagram	3PH 12 Lead Dual Voltage		





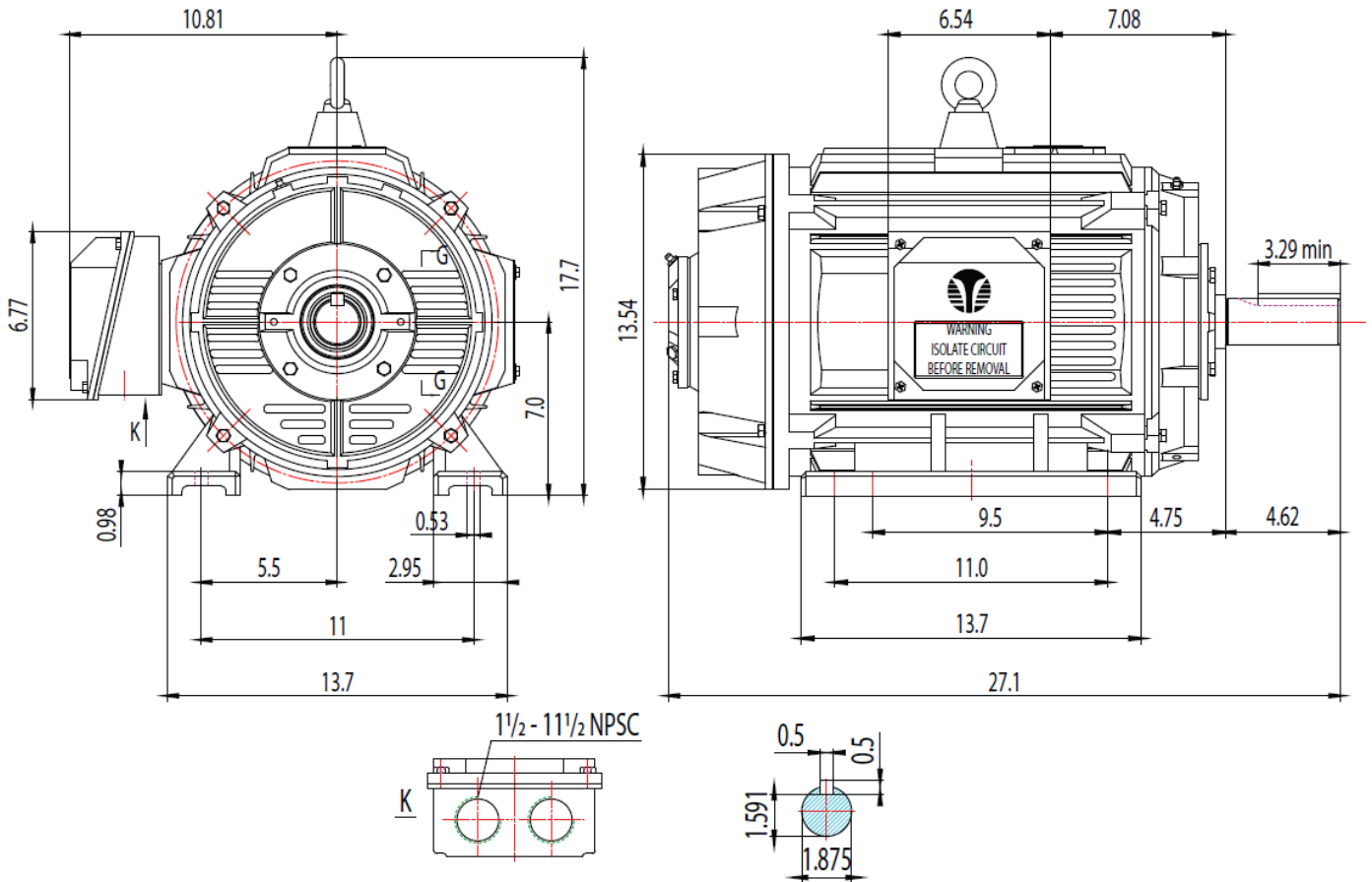
Model Number GR3-CI-OP-286T-4-BR-D-30-230|460-60

MFG PN TDC286T30U4B

List Price --

Base Frame GR-286T-CI-OP

FRAME: 286T HP: RPM: PHASE: 3 VOLT: 208-230V ENCL: OPEN DRIP FREQ: 60 Hz FLA: LRA:



MODEL NUMBER:
GR3-CI-OP-286T

MFG PN:

REV.	BY	DATE
1		
2		
3		
4		
5		
6		
7		

CHANGES

MATERIAL: ALUMINUM
UNITS: INCH BY: SSEE
DRAWN: 6/11/2018
WWW.TECHTOP.COM

Techtop Industries -2815 Colonnades Court - Peachtree Corners, GA 30071 - Phone: (678) 436-5540