



Model Number GR3-CI-OP-284TC-4-BR-D-25-230|460-60

MFG PN TDC284T25U4B

List Price --

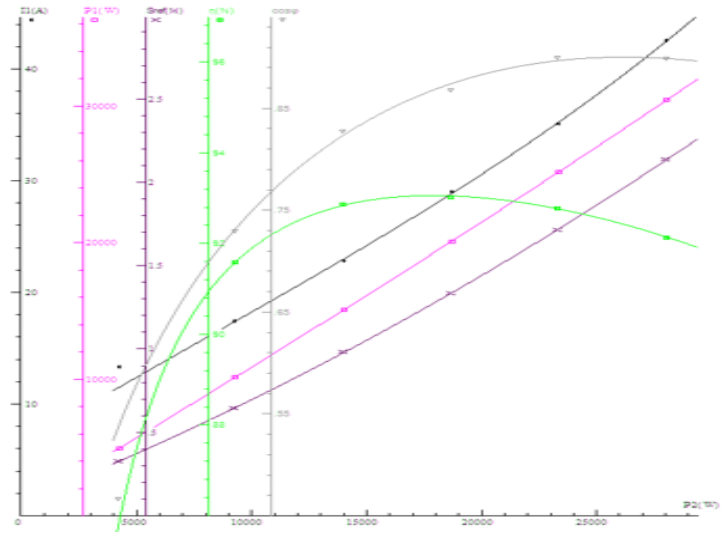
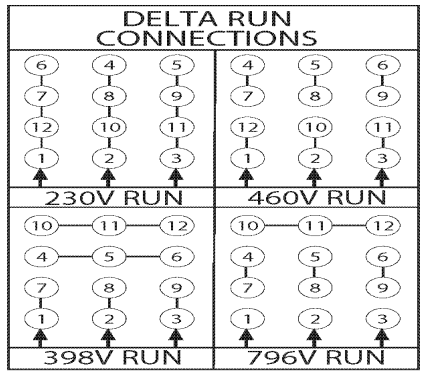
All data shown at HIGH voltage setting

Format | STD 3 Phase

Electrical Data				General Data	
Rated Motor Output Power	25 HP			Frame Size	284
Rated Motor Speed	1775 r/min			Enclosure	ODP
Rated Motor Voltage (3 Phase)	230 460-60 Volts - HZ			Approximate Weight	321.2
Rated Motor Current	58.2/29.1 Amps			NEMA Design	A
Service Factor	1.25			IP Rating	55
KVA Code	G			Insulation Class	F
Nominal Efficiency	93.6 %			Tropicalization	YES
Nominal Power Factor	0.86 cosθ			Duty	Cont.
Full Load Torque Ft-Lb	-- Ft-Lb			Cable Entry	1.25
Temp Rise @ Full Load °C	50.7			Feet Removable	YES
Efficiency Level	IE3 - NEMA Premium			Double Drilled	NO
Load Data	RPM	Trq %FL	Current Amps	Rated Ambient (°C)	40
Locked Rotor	-	283	9.37	Rated Altitude (M)	1000
Breakdown	-	350	-	Coating	7024 - Graphite Grey
Pull Up	-	206	-	Shaft Grounding	NO
125% of FL	1769	-	35	Brake Voltage (DC)	--
75% of FL	1782	-	22.92	Brake Torque (N-M)	--
50% of FL	1788	-	17.43	Mechanical Data	
No Load	--	-	11.63	Bearing DE Side	6311 C3
Hazardous Location	--			Bearing NDE Side	6311 C3
				Moment of Inertia	-- kg.m2
				Noise Level	Per NEMA dB (A)

CT VFD Range	--	Loaded Torque Curves	--
P1 = INPUT POWER (KW), S = Slip (% of Sync RPM), η = Efficiency (%), cosφ = Power Factor			

Certifications	UL	CSA	DOE
File Numbers	323353	224693	096A
Wiring Diagram	3PH 12 Lead Dual Voltage		





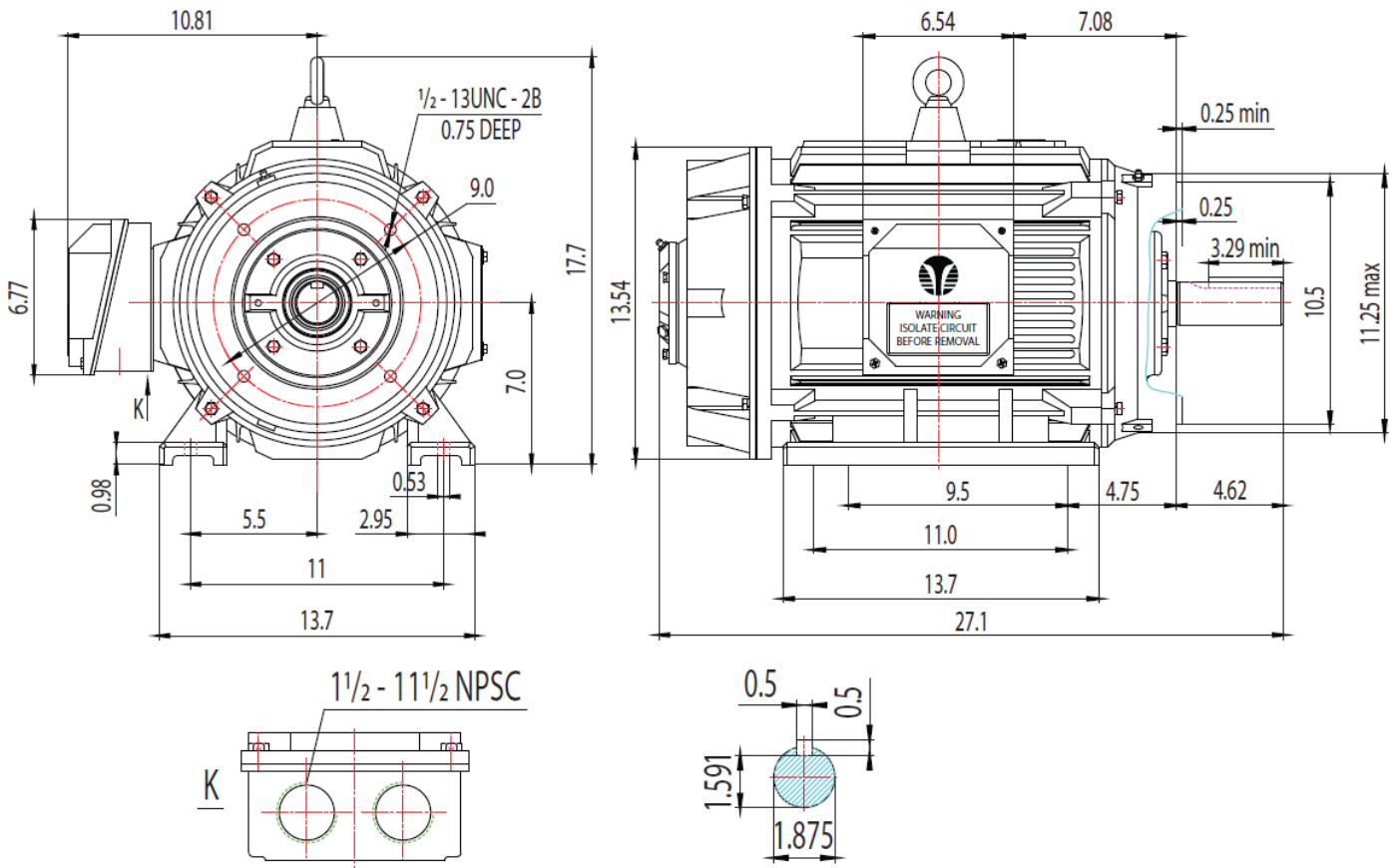
Model Number GR3-CI-OP-284TC-4-BR-D-25-230|460-60

MFG PN TDC284T25U4B

List Price --

Base Frame GR-284TC-CI-OP

FRAME: 284TC | HP: | RPM: | PHASE: 3 | VOLT: 208-230V | ENCL: OPEN DRIP | FREQ: 60 Hz | FLA: | LRA:



TECHTOP
 MATERIAL: ALUMINUM
 UNITS: INCH BY: SSEE
 DRAWN: 6/13/2018
 WWW.TECHTOP.COM

MODEL NUMBER:	REV.	BY	DATE	CHANGES
GR3-CI-OP-284TC	1			
MFG PN:	2			
	3			
	4			
	5			
	6			
	7			