



Model Number GR3-CI-OP-284T-4-BR-D-25-230|460-60

MFG PN TDC284T25U4B

List Price --

All data shown at HIGH voltage setting

Format STD 3 Phase

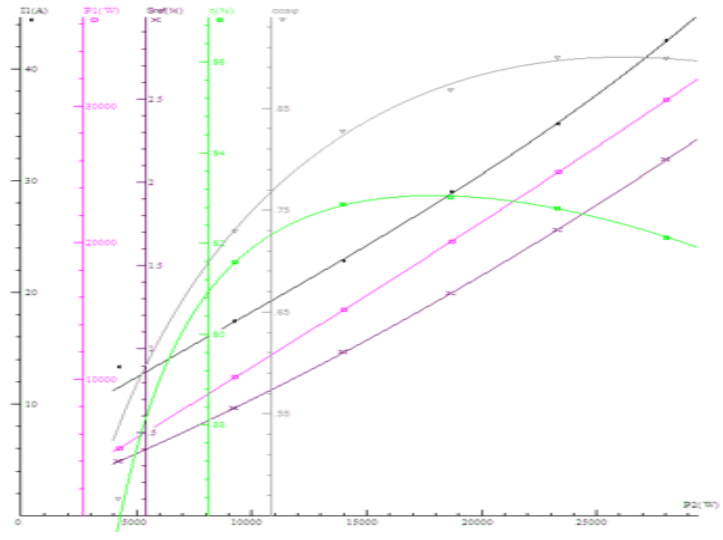
Electrical Data		General Data	
Rated Motor Output Power	25 HP	Frame Size	284
Rated Motor Speed	1775 r/min	Enclosure	ODP
Rated Motor Voltage (3 Phase)	230 460-60 Volts - HZ	Approximate Weight	321.2
Rated Motor Current	58.2/29.1 Amps	NEMA Design	A
Service Factor	1.25	IP Rating	55
KVA Code	G	Insulation Class	F
Nominal Efficiency	93.6 %	Tropicalization	YES
Nominal Power Factor	0.86 cosθ	Duty	Cont.
Full Load Torque Ft-Lb	-- Ft-Lb	Cable Entry	1.25
Temp Rise @ Full Load °C	50.7	Feet Removable	YES
Efficiency Level	IE3 - NEMA Premium	Double Drilled	NO

Load Data	RPM	Trq %FL	Current Amps	General Data	
Locked Rotor	-	283	9.37	Rated Ambient (°C)	40
Breakdown	-	350	-	Rated Altitude (M)	1000
Pull Up	-	206	-	Coating	7024 - Graphite Grey
125% of FL	1769	-	35	Shaft Grounding	NO
75% of FL	1782	-	22.92	Brake Voltage (DC)	--
50% of FL	1788	-	17.43	Brake Torque (N-M)	--
No Load	--	-	11.63	Mechanical Data	

Hazardous Location	--		Bearing DE Side	6311 C3
	--		Bearing NDE Side	6311 C3
	--		Moment of Inertia	-- kg.m2
	--		Noise Level	Per NEMA dB (A)

CT VFD Range	--	Loaded Torque Curves		--
<p>P1 = INPUT POWER (KW), S = Slip (% of Sync RPM), η = Efficiency (%), cosφ = Power Factor</p>				

Certifications	UL	CSA	DOE
File Numbers	323353	224693	096A
Wiring Diagram	3PH 12 Lead Dual Voltage		





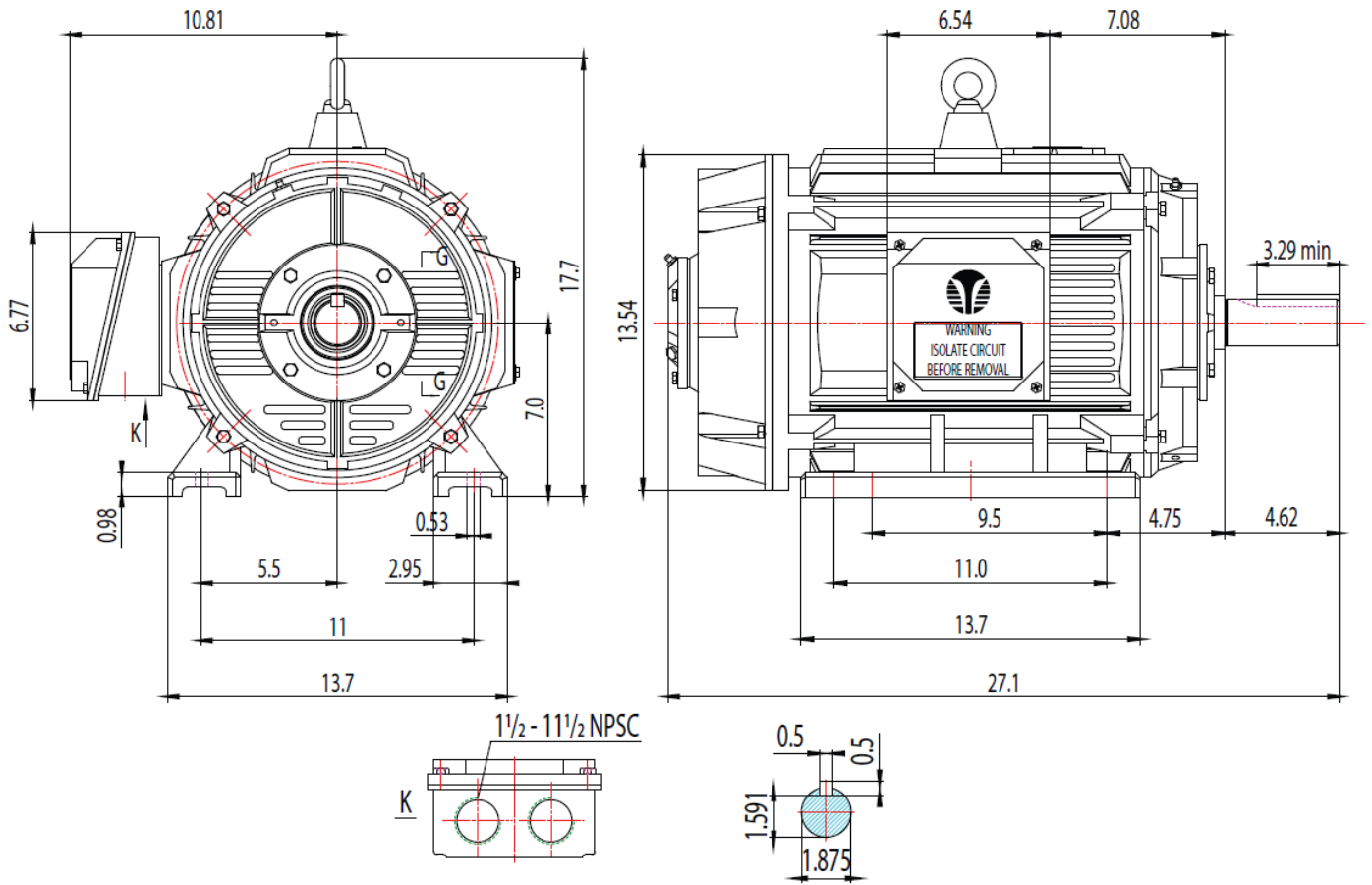
Model Number GR3-CI-OP-284T-4-BR-D-25-230|460-60

MFG PN TDC284T25U4B

List Price --

Base Frame GR-284T-CI-OP

FRAME: 284T HP: RPM: PHASE: 3 VOLT: 208-230V ENCL: OPEN DRIP FREQ: 60 Hz FLA: LRA:



TECHTOP
 MATERIAL: ALUMINUM
 UNITS: INCH BY: SSEE
 DRAWN: 6/11/2018
 WWW.TECHTOP.COM

MODEL NUMBER:
 GR3-CI-OP-284T
 MFG PN:

REV.	BY	DATE
1		
2		
3		
4		
5		
6		
7		

CHANGES