



Model Number GR3-CI-OP-256TC-4-BR-D-20-230|460-60

MFG PN TDC256T20U4B

List Price --

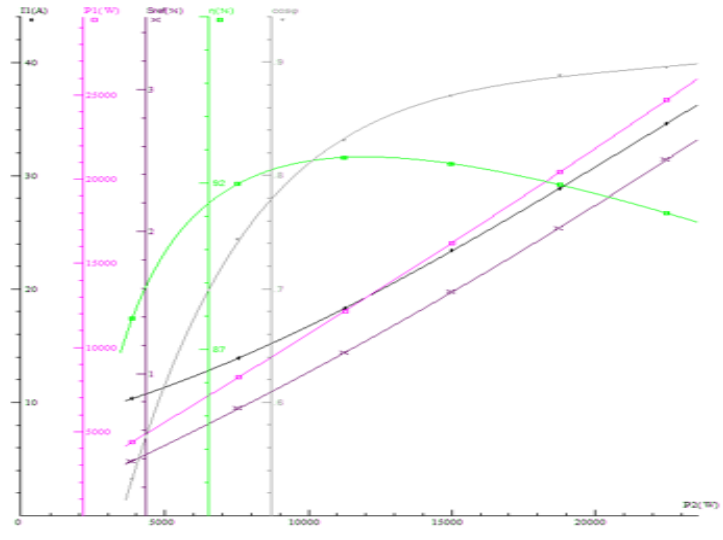
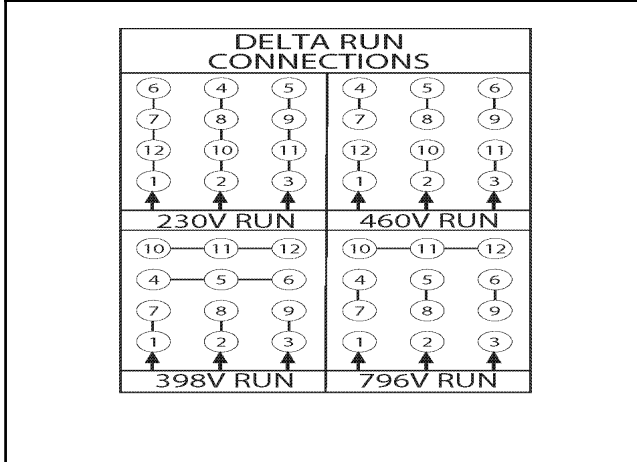
All data shown at HIGH voltage setting

Format STD 3 Phase

Electrical Data				General Data	
Rated Motor Output Power	20 HP			Frame Size	256
Rated Motor Speed	1760 r/min			Enclosure	ODP
Rated Motor Voltage (3 Phase)	230 460-60 Volts - HZ			Approximate Weight	250.8
Rated Motor Current	48.78/24.39 Amps			NEMA Design	A
Service Factor	1.15			IP Rating	55
KVA Code	G			Insulation Class	F
Nominal Efficiency	93 %			Tropicalization	YES
Nominal Power Factor	83 cosθ			Duty	Cont.
Full Load Torque Ft-Lb	59.59 Ft-Lb			Cable Entry	1.25
Temp Rise @ Full Load °C	50.6			Feet Removable	YES
Efficiency Level	IE3 - NEMA Premium			Double Drilled	NO
Load Data	RPM	Trq %FL	Current Amps	Rated Ambient (°C)	40
Locked Rotor	-	256	143	Rated Altitude (M)	1000
Breakdown	-	339	-	Coating	7024 - Graphite Grey
Pull Up	-	190	-	Shaft Grounding	NO
125% of FL	1765	-	27.84	Brake Voltage (DC)	--
75% of FL	1780	-	17.43	Brake Torque (N-M)	--
50% of FL	1786	-	12.84	Mechanical Data	
No Load	--	-	6.92	Bearing DE Side	6309 C3
Hazardous Location	--			Bearing NDE Side	6309 C3
				Moment of Inertia	-- kg.m2
				Noise Level	Per NEMA dB (A)

CT VFD Range	--	Loaded Torque Curves	--
P1 = INPUT POWER (KW), S = Slip (% of Sync RPM), η = Efficiency (%), cosφ = Power Factor			

Certifications	UL	CSA	DOE
File Numbers	323353	224693	096A
Wiring Diagram	3PH 12 Lead Dual Voltage		





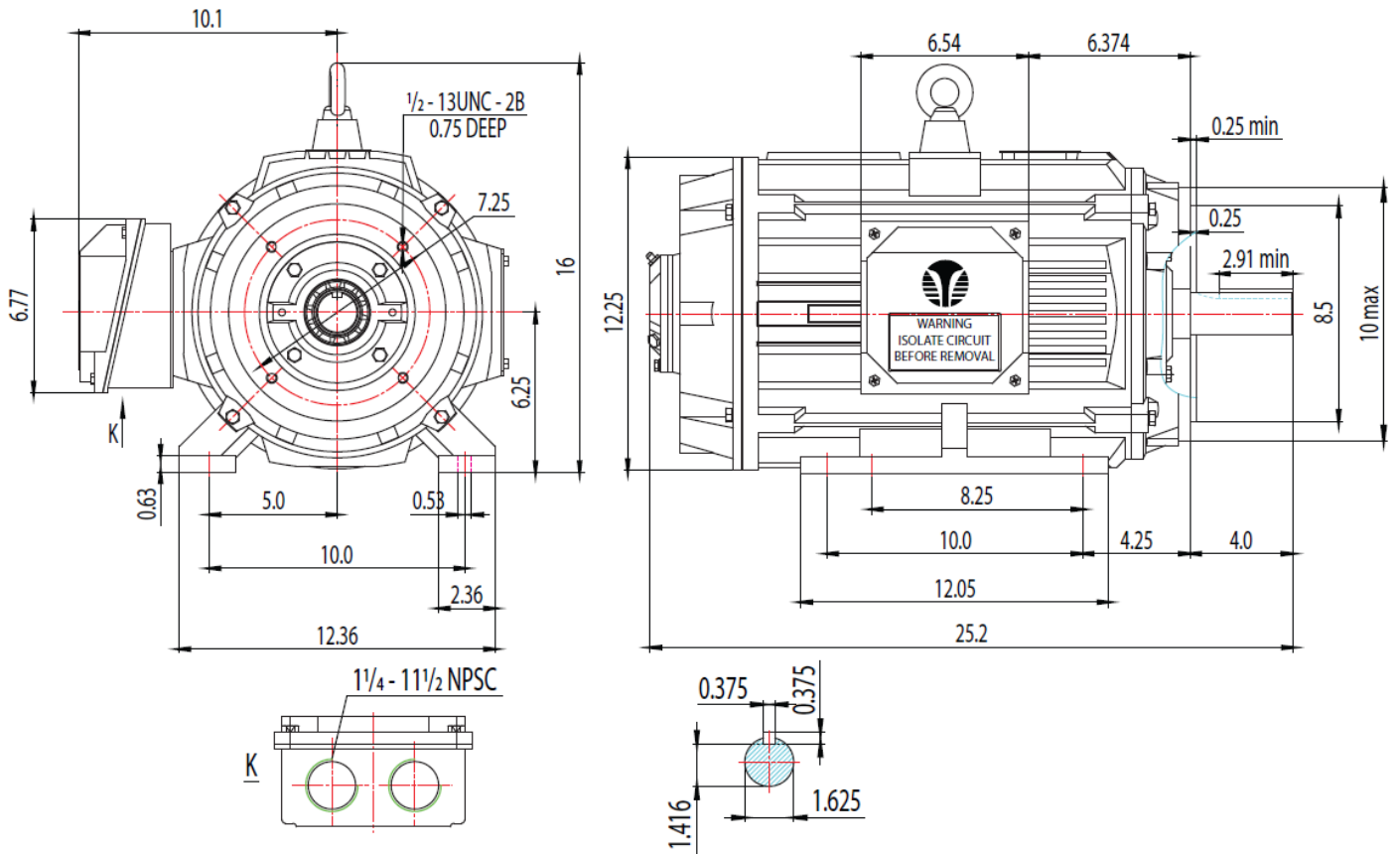
Model Number GR3-CI-OP-256TC-4-BR-D-20-230|460-60

MFG PN TDC256T20U4B

List Price --

Base Frame GR-256TC-CI-OP

FRAME: 256TC HP: RPM: PHASE: 3 VOLT: 208-230V ENCL: OPEN DRIP FREQ: 60 Hz FLA: LRA:



MODEL NUMBER:
GR3-CI-OP-256TC
MFG PN:

REV.	BY	DATE	CHANGES
1			
2			
3			
4			
5			
6			
7			

CHANGES

MATERIAL: ALUMINUM
UNITS: INCH BY: SSEE
DRAWN: 6/13/2018
WWW.TECHTOP.COM

Techtop Industries -2815 Colonnades Court - Peachtree Corners, GA 30071 - Phone: (678) 436-5540