



Model Number GR3-CI-OP-256T-4-BR-D-20-230|460-60

MFG PN TFC256T20U4B

List Price --

All data shown at HIGH voltage setting

Format STD 3 Phase

Electrical Data				General Data	
Rated Motor Output Power	20 HP			Frame Size	256
Rated Motor Speed	1770 r/min			Enclosure	TEFC
Rated Motor Voltage (3 Phase)	230 460-60 Volts - HZ			Approximate Weight	290.4
Rated Motor Current	46.8/23.4 Amps			NEMA Design	BE
Service Factor	1.25			IP Rating	55
KVA Code	K			Insulation Class	F
Nominal Efficiency	93 %			Tropicalization	YES
Nominal Power Factor	0.86 cosθ			Duty	Cont.
Full Load Torque Ft-Lb	71.84224 Ft-Lb			Cable Entry	1.25
Temp Rise @ Full Load °C	50.6			Feet Removable	YES
Efficiency Level	IE3 - NEMA Premium			Double Drilled	NO
Load Data	RPM	Trq %FL	Current Amps	Rated Ambient (°C)	40
Locked Rotor	-	280	211.2	Rated Altitude (M)	1000
Breakdown	-	352	-	Coating	7024 - Graphite Grey
Pull Up	-	206	-	Shaft Grounding	NO
125% of FL	1763	-	28.8	Brake Voltage (DC)	
75% of FL	1779	-	18.27	Brake Torque (N-M)	
50% of FL	1787	-	13.84	Mechanical Data	
No Load		-	8.72	Bearing DE Side	6309 C3
Hazardous Location	Class 1, Div 2, Grp A,B,C,D			Bearing NDE Side	6309 C3
				Moment of Inertia	kg.m2
				Noise Level	Per NEMA dB (A)
				Loaded Torque Curves	
CT VFD Range		--		P1 = INPUT POWER (KW), S = Slip (% of Sync RPM), η = Efficiency (%), cosφ = Power Factor	
Certifications	UL	CSA	DOE		
File Numbers	323353	224693	096A		
Wiring Diagram	3PH 12 Lead Dual Voltage				



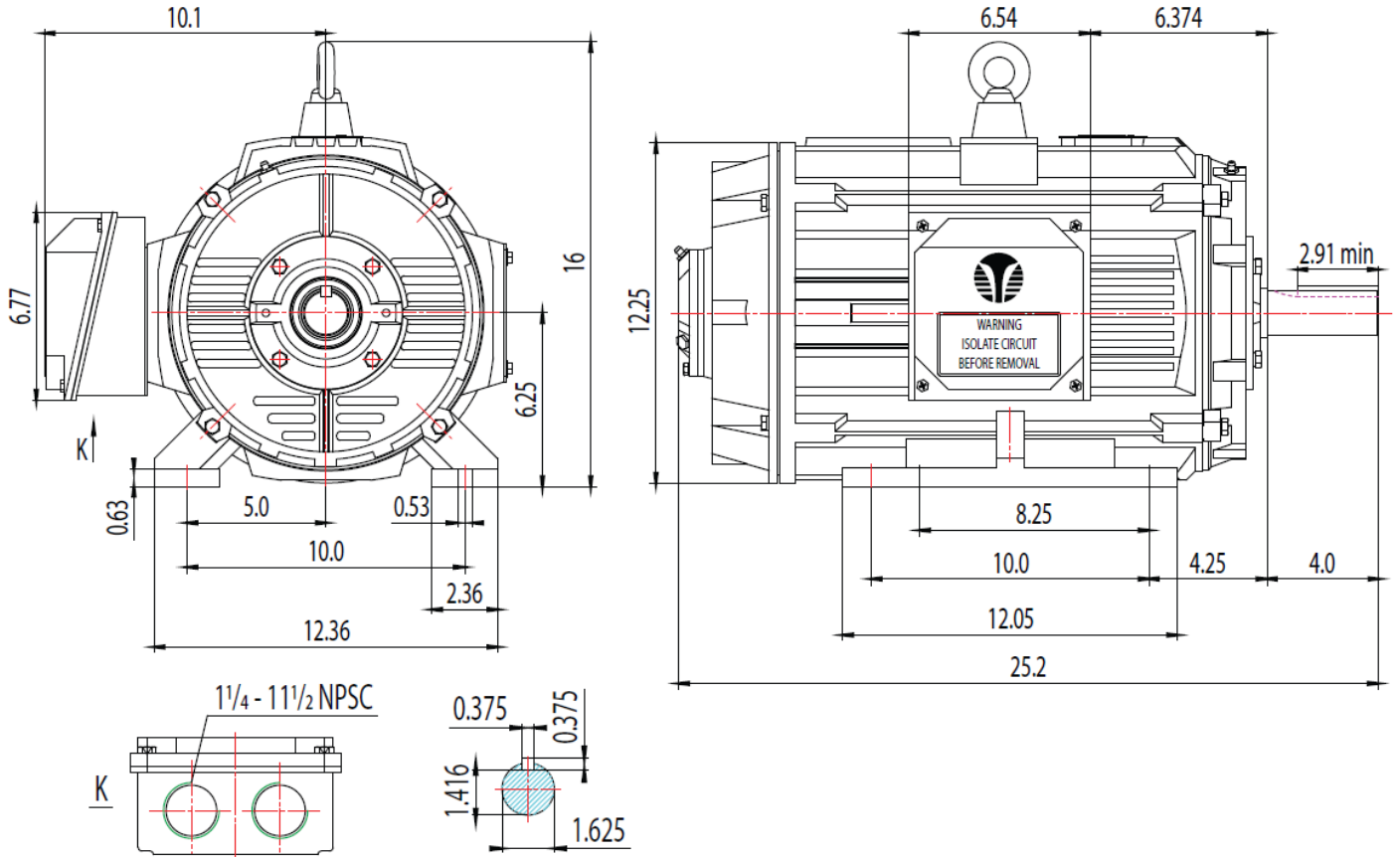
Model Number GR3-CI-OP-256T-4-BR-D-20-230|460-60

MFG PN TFC256T20U4B

List Price --

Base Frame GR-256T-CI-OP

FRAME: 256T HP: RPM: PHASE: 3 VOLT: 208-230V ENCL: OPEN DRIP FREQ: 60 Hz FLA: LRA:



TECHTOP
 MATERIAL: ALUMINUM
 UNITS: INCH BY: SSEE
 DRAWN: 6/11/2018
 WWW.TECHTOP.COM

MODEL NUMBER:
 GR3-CI-OP-256T
 MFG PN:

REV.	BY	DATE
1		
2		
3		
4		
5		
6		
7		

CHANGES