



**Model Number** GR3-CI-OP-254T-4-BR-D-15-230|460-60

**MFG PN** TFC254T15U4B

**List Price** --

All data shown at HIGH voltage setting

Format STD 3 Phase

Electrical Data				General Data	
Rated Motor Output Power	15 HP			Frame Size	254
Rated Motor Speed	1770 r/min			Enclosure	TEFC
Rated Motor Voltage (3 Phase)	230 460-60 Volts - HZ			Approximate Weight	246.4
Rated Motor Current	35.4/17.7 Amps			NEMA Design	BE
Service Factor	1.25			IP Rating	55
KVA Code	J			Insulation Class	F
Nominal Efficiency	92.4 %			Tropicalization	YES
Nominal Power Factor	0.86 cosθ			Duty	Cont.
Full Load Torque Ft-Lb	44.256 Ft-Lb			Cable Entry	1.25
Temp Rise @ Full Load °C	30.1			Feet Removable	YES
Efficiency Level	IE3 - NEMA Premium			Double Drilled	NO
Load Data	RPM	Trq %FL	Current Amps	Rated Ambient (°C)	40
Locked Rotor	-	250	142	Rated Altitude (M)	1000
Breakdown	-	327	-	Coating	7024 - Graphite Grey
Pull Up	-	171	-	Shaft Grounding	NO
125% of FL	1763	-	21.79	Brake Voltage (DC)	
75% of FL	1779	-	13.84	Brake Torque (N-M)	
50% of FL	1787	-	10.56	Mechanical Data	
No Load	1797	-	6.87	Bearing DE Side	6309 C3
Hazardous Location	Class 1, Div 2, Grp A,B,C,D			Bearing NDE Side	6309 C3
				Moment of Inertia	kg.m2
				Noise Level	Per NEMA dB (A)
CT VFD Range		--		Loaded Torque Curves	
				P1 = INPUT POWER (KW), S = Slip (% of Sync RPM), η = Efficiency (%), cosφ = Power Factor	
Certifications	UL	CSA	DOE		
File Numbers	323353	224693	096A		
Wiring Diagram	3PH 12 Lead Dual Voltage				



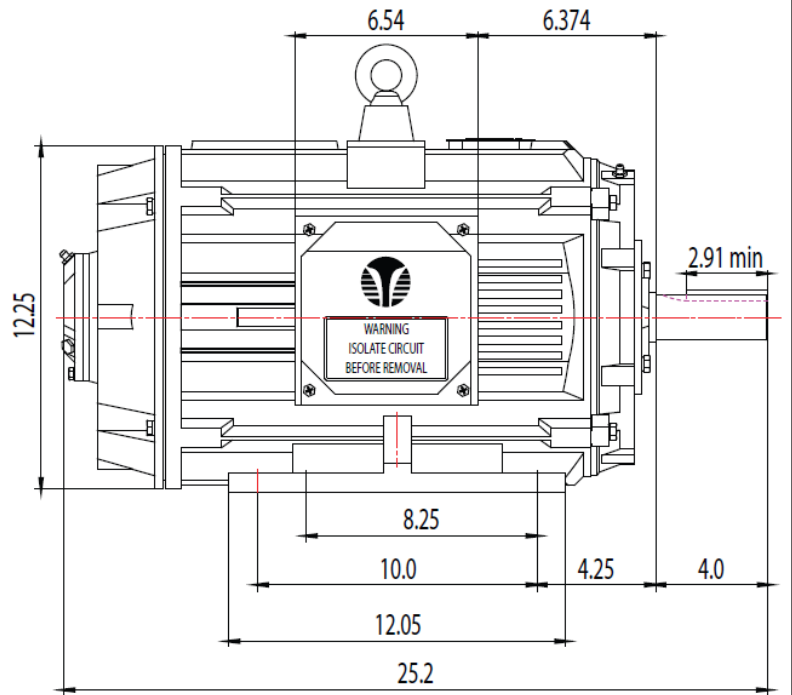
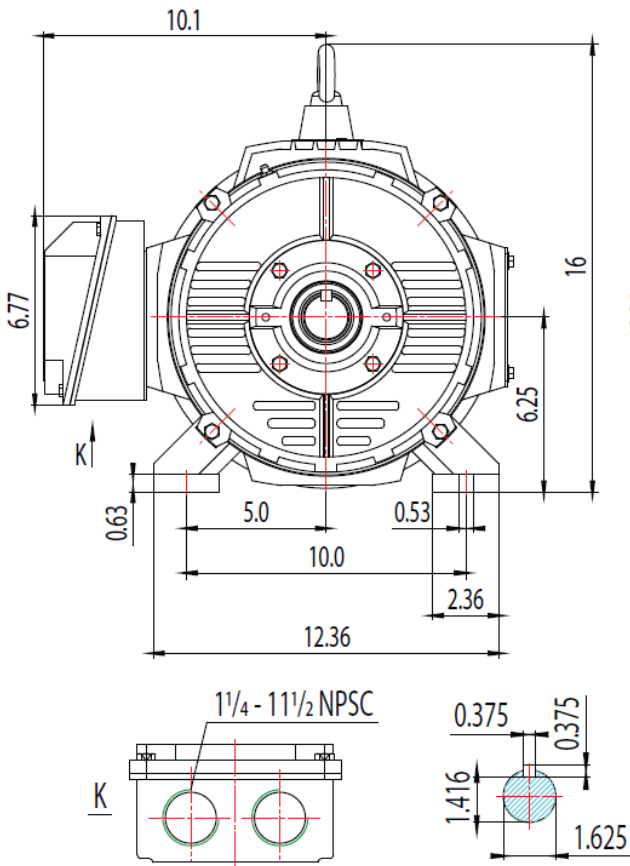
Model Number GR3-CI-OP-254T-4-BR-D-15-230|460-60

MFG PN TFC254T15U4B

List Price --

Base Frame GR-254T-CI-OP

FRAME: 254T    HP:    RPM:    PHASE: 3    VOLT: 208-230V    ENCL: OPEN DRIP    FREQ: 60 Hz    FLA:    LRA:



MODEL NUMBER:  
GR3-CI-OP-254T  
MFG PN:

REV.	BY	DATE
1		
2		
3		
4		
5		
6		
7		

CHANGES

MATERIAL: ALUMINUM  
UNITS: INCH    BY: SSEE  
DRAWN: 6/11/2018  
WWW.TECHTOP.COM