



Model Number	GR3-AL-TF-80B35-2-B-D-2-230 460-60
MFG PN	T 803-2
List Price	--

All data shown at HIGH voltage setting

Format | STD 3 Phase

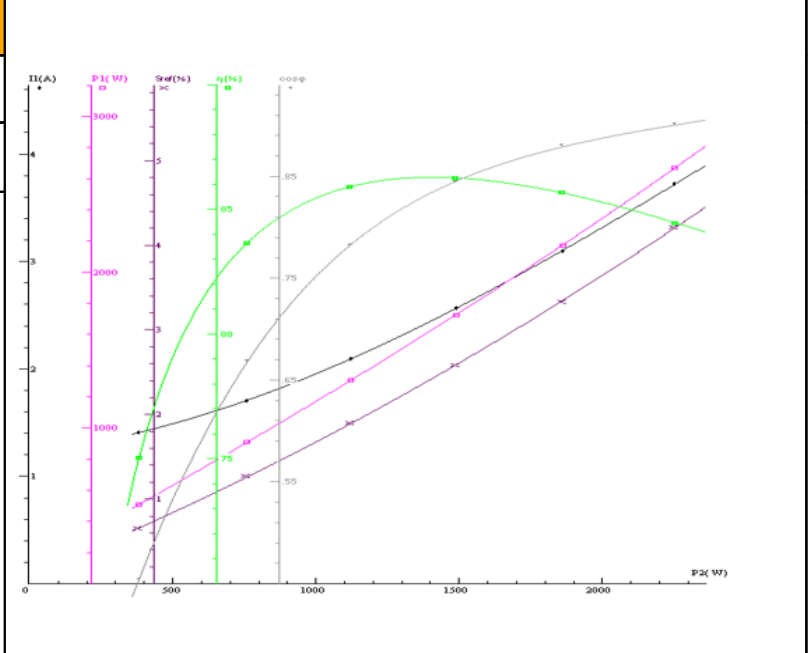
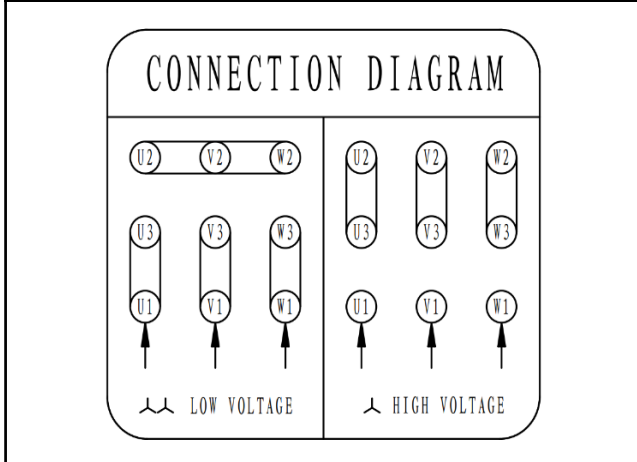
Electrical Data		General Data	
Rated Motor Output Power	2 HP	Frame Size	80
Rated Motor Speed	3500 r/min	Enclosure	TEFC
Rated Motor Voltage (3 Phase)	230 460-60 Volts - HZ	Approximate Weight	25.52
Rated Motor Current	5.30/2.65 Amps	NEMA Design	B
Service Factor	1.15	IP Rating	55
KVA Code	L	Insulation Class	F
Nominal Efficiency	85.5 %	Tropicalization	YES
Nominal Power Factor	0.83 cosθ	Duty	Cont.
Full Load Torque Ft-Lb	2.603728 Ft-Lb	Cable Entry	M20 X 1.5
Temp Rise @ Full Load °C	47.4	Feet Removable	YES
Efficiency Level	IE3 - NEMA Premium	Double Drilled	NO

Load Data	RPM	Trq %FL	Current Amps	Rated Ambient (°C)
Locked Rotor	-	353	24.31	40
Breakdown	-	424	-	Rated Altitude (M)
Pull Up	-	295	-	1000
125% of FL	3479	-	3.12	Coating
75% of FL	3532	-	2	7024 - Graphite Grey
50% of FL	3555	-	1.69	Shaft Grounding
No Load	-	-	1.3	NO

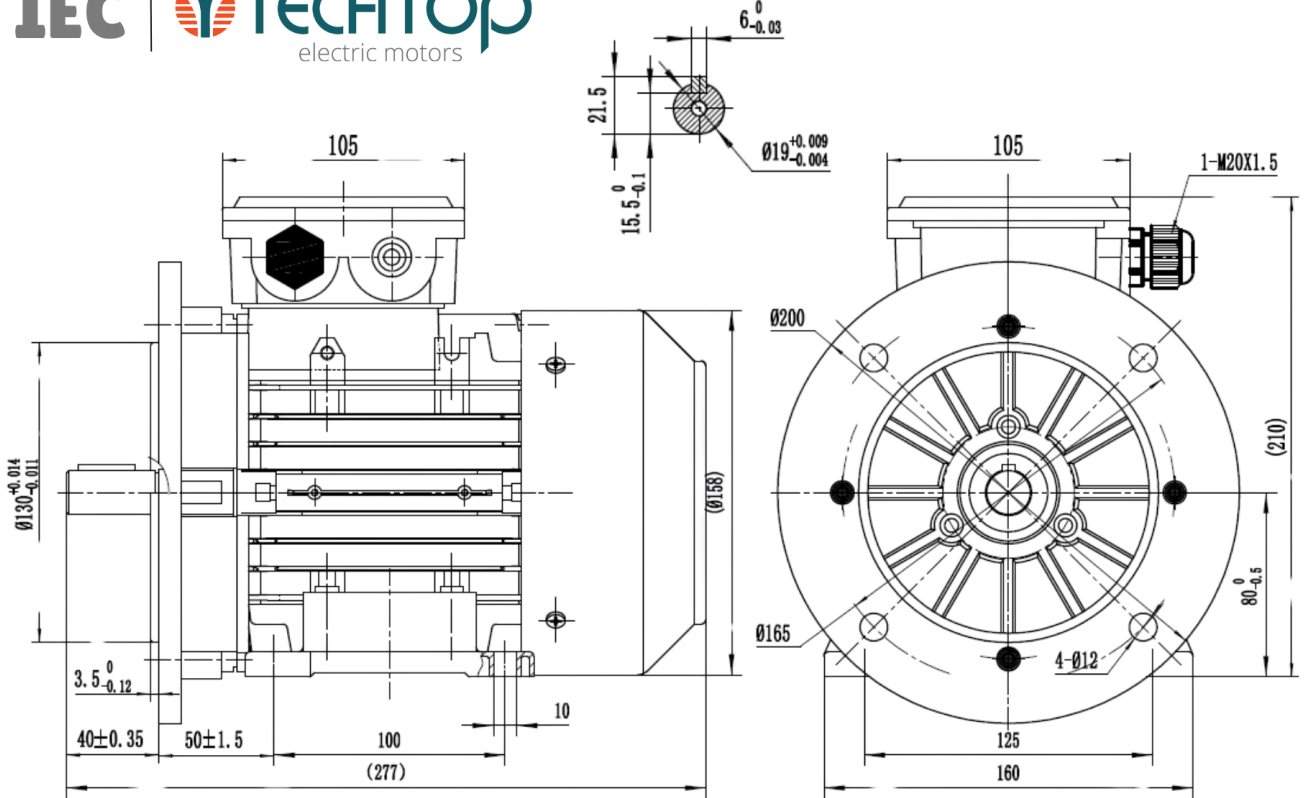
				Mechanical Data			
Hazardous Location				Class 1, Div 2, Grp A,B,C,D		Bearing DE Side	6204ZZ
						Bearing NDE Side	6204ZZ
						Moment of Inertia	kg.m2
						Noise Level	Per NEMA dB (A)

CT VFD Range	--	Loaded Torque Curves	--
P1 = INPUT POWER (KW), S = Slip (% of Sync RPM), η = Efficiency (%), cosφ = Power Factor			

Certifications	UL	CSA	DOE
File Numbers	323353	224693	096A
Wiring Diagram	3PH 9 Lead IEC Dual Voltage		



Model Number	GR3-AL-TF-80B35-2-B-D-2-230 460-60
MFG PN	T 803-2
List Price	--
Base Frame	GR-80B35-AL-TF



MODEL NUMBER	GR-80B35-AL	ISSUE DATE:	04/2025
DIMENSIONS	in		
CASTING MATERIAL	ALUMINUM	WWW.TECHTOPIND.COM	

Techtop Industries -2815 Colonnades Court - Peachtree Corners, GA 30071 - Phone: (678) 436-5540

Techtop Industries -2815 Colonnades Court - Peachtree Corners, GA 30071 - Phone: (678) 436-5540