



Model Number	GR3-AL-TF-80B34-2-B-D-2-230 460-60
MFG PN	T 803-2
List Price	--

All data shown at HIGH voltage setting

Format | STD 3 Phase

Electrical Data		General Data	
Rated Motor Output Power	2 HP	Frame Size	80
Rated Motor Speed	3500 r/min	Enclosure	TEFC
Rated Motor Voltage (3 Phase)	230 460-60 Volts - HZ	Approximate Weight	25.52
Rated Motor Current	5.30/2.65 Amps	NEMA Design	B
Service Factor	1.15	IP Rating	55
KVA Code	L	Insulation Class	F
Nominal Efficiency	85.5 %	Tropicalization	YES
Nominal Power Factor	0.83 cosθ	Duty	Cont.
Full Load Torque Ft-Lb	2.603728 Ft-Lb	Cable Entry	M20 X 1.5
Temp Rise @ Full Load °C	47.4	Feet Removable	YES
Efficiency Level	IE3 - NEMA Premium	Double Drilled	NO

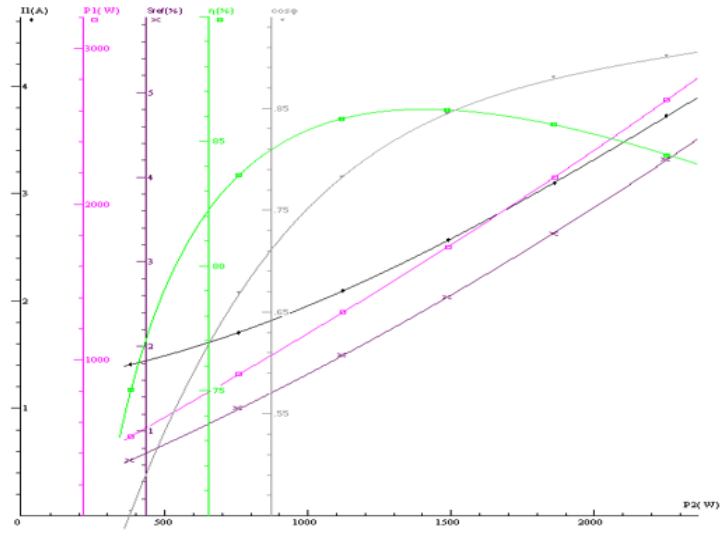
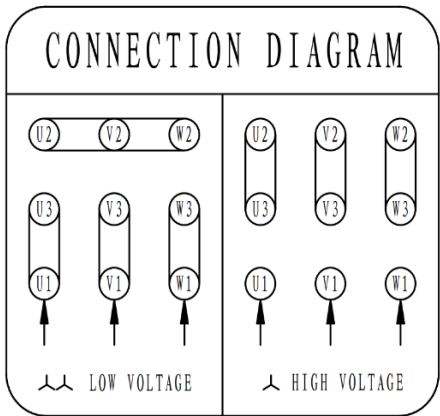
Load Data	RPM	Trq %FL	Current Amps	Mechanical Data	
Locked Rotor	-	353	24.31	Rated Ambient (°C)	40
Breakdown	-	424	-	Rated Altitude (M)	1000
Pull Up	-	295	-	Coating	7024 - Graphite Grey
125% of FL	3479	-	3.12	Shaft Grounding	NO
75% of FL	3532	-	2	Brake Voltage (DC)	
50% of FL	3555	-	1.69	Brake Torque (N-M)	
No Load		-	1.3		

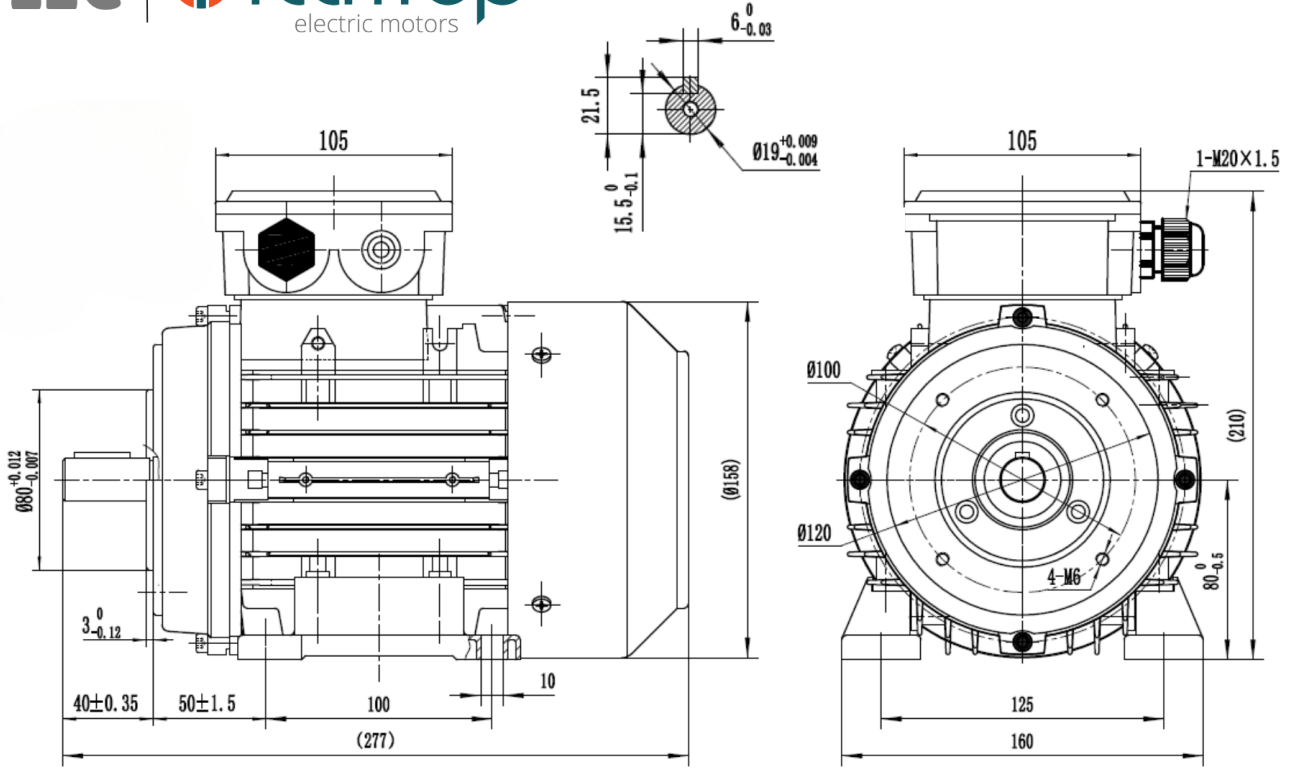
Hazardous Location	Class 1, Div 2, Grp A,B,C,D		Moment of Inertia	kg.m2
			Noise Level	Per NEMA dB (A)

CT VFD Range	--	Loaded Torque Curves		--
$P_1 = \text{INPUT POWER (KW)}$, $S = \text{Slip (\% of Sync RPM)}$, $\eta = \text{Efficiency (\%)}$, $\cos\phi = \text{Power Factor}$				

Certifications	UL	CSA	DOE
File Numbers	323353	224693	096A

Wiring Diagram 3PH 9 Lead IEC Dual Voltage





MODEL NUMBER	GR-80B34-AL	ISSUE DATE:	04/2025
DIMENSIONS	in		
CASTING MATERIAL	ALUMINUM	WWW.TECHTOPIND.COM	

Techtop Industries -2815 Colonnades Court - Peachtree Corners, GA 30071 - Phone: (678) 436-5540

Techtop Industries -2815 Colonnades Court - Peachtree Corners, GA 30071 - Phone: (678) 436-5540