



**Model Number** GR3-AL-TF-80B3-2-B-D-2-230|460-60

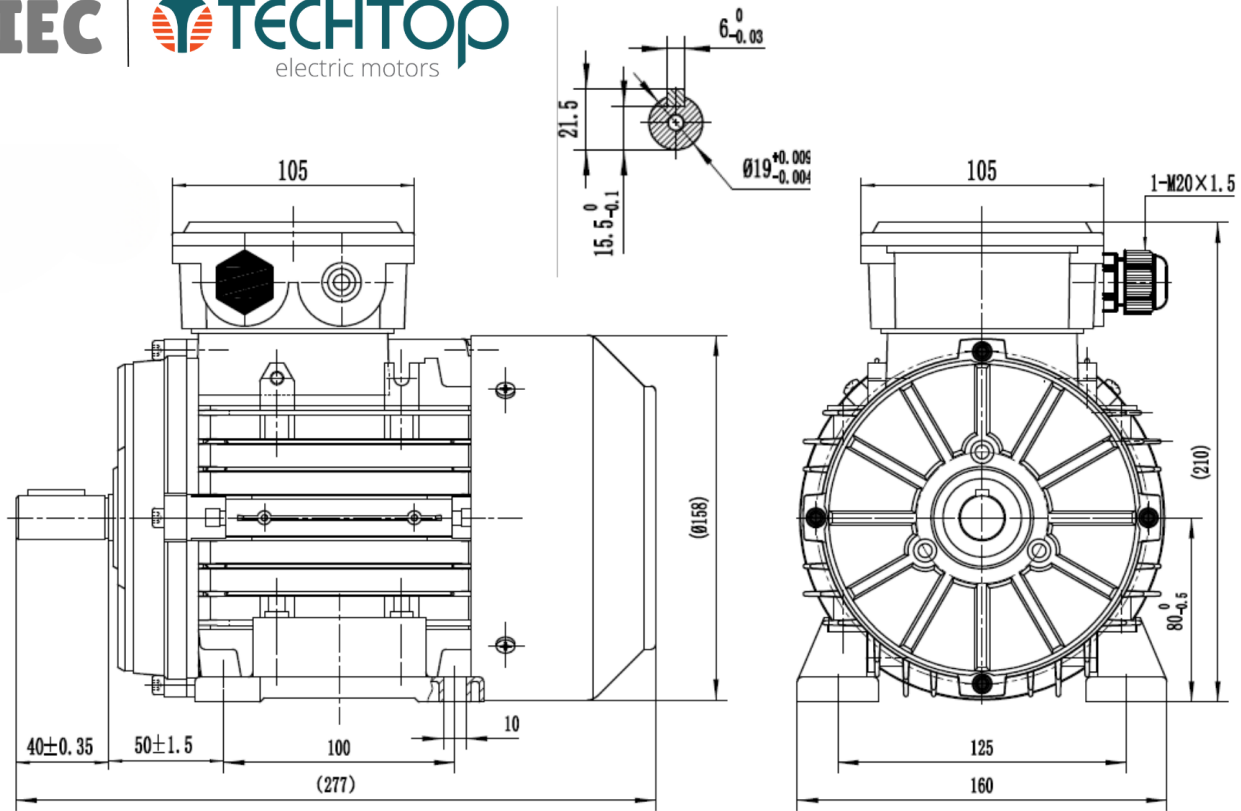
**MFG PN** T 803-2

**List Price** --

All data shown at HIGH voltage setting

Format | STD 3 Phase

Electrical Data				General Data	
Rated Motor Output Power	2 HP			Frame Size	80
Rated Motor Speed	3500 r/min			Enclosure	TEFC
Rated Motor Voltage (3 Phase)	230 460-60 Volts - HZ			Approximate Weight	25.52
Rated Motor Current	5.30/2.65 Amps			NEMA Design	B
Service Factor	1.15			IP Rating	55
KVA Code	L			Insulation Class	F
Nominal Efficiency	85.5 %			Tropicalization	YES
Nominal Power Factor	0.83 cosθ			Duty	Cont.
Full Load Torque Ft-Lb	2.603728 Ft-Lb			Cable Entry	M20 X 1.5
Temp Rise @ Full Load °C	47.4			Feet Removable	YES
Efficiency Level	IE3 - NEMA Premium			Double Drilled	NO
Load Data	RPM	Trq %FL	Current Amps	Rated Ambient (°C)	40
Locked Rotor	-	353	24.31	Rated Altitude (M)	1000
Breakdown	-	424	-	Coating	7024 - Graphite Grey
Pull Up	-	295	-	Shaft Grounding	NO
125% of FL	3479	-	3.12	Brake Voltage (DC)	
75% of FL	3532	-	2	Brake Torque (N-M)	
50% of FL	3555	-	1.69	Mechanical Data	
No Load		-	1.3	Bearing DE Side	6204ZZ
Hazardous Location	Class 1, Div 2, Grp A,B,C,D			Bearing NDE Side	6204ZZ
				Moment of Inertia	kg.m2
				Noise Level	Per NEMA dB (A)
CT VFD Range		--		Loaded Torque Curves	
				P1 = INPUT POWER (KW), S = Slip (% of Sync RPM), η = Efficiency (%), cosφ = Power Factor	
Certifications	UL	CSA	DOE		
File Numbers	323353	224693	096A		
Wiring Diagram	3PH 9 Lead IEC Dual Voltage				
<div style="border: 1px solid black; padding: 10px; text-align: center;"> <h3>CONNECTION DIAGRAM</h3> <p>LOW VOLTAGE      HIGH VOLTAGE</p> </div>					



MODEL NUMBER	GR-80B3-AL	ISSUE DATE:	04/2025
DIMENSIONS	in		
CASTING MATERIAL	ALUMINUM	WWW.TECHTOPIND.COM	

Techtop Industries -2815 Colonnades Court - Peachtree Corners, GA 30071 - Phone: (678) 436-5540