



Model Number GR3-AL-TF-71B35-4-B-D-.35-230|460-60

MFG PN T 711-4

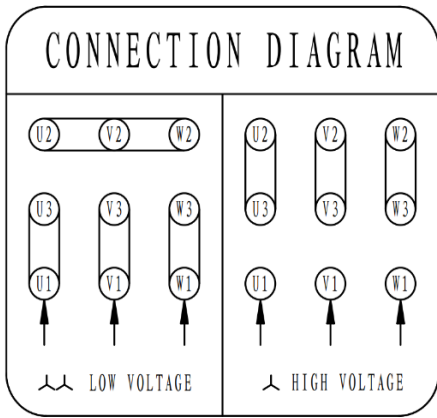
List Price --

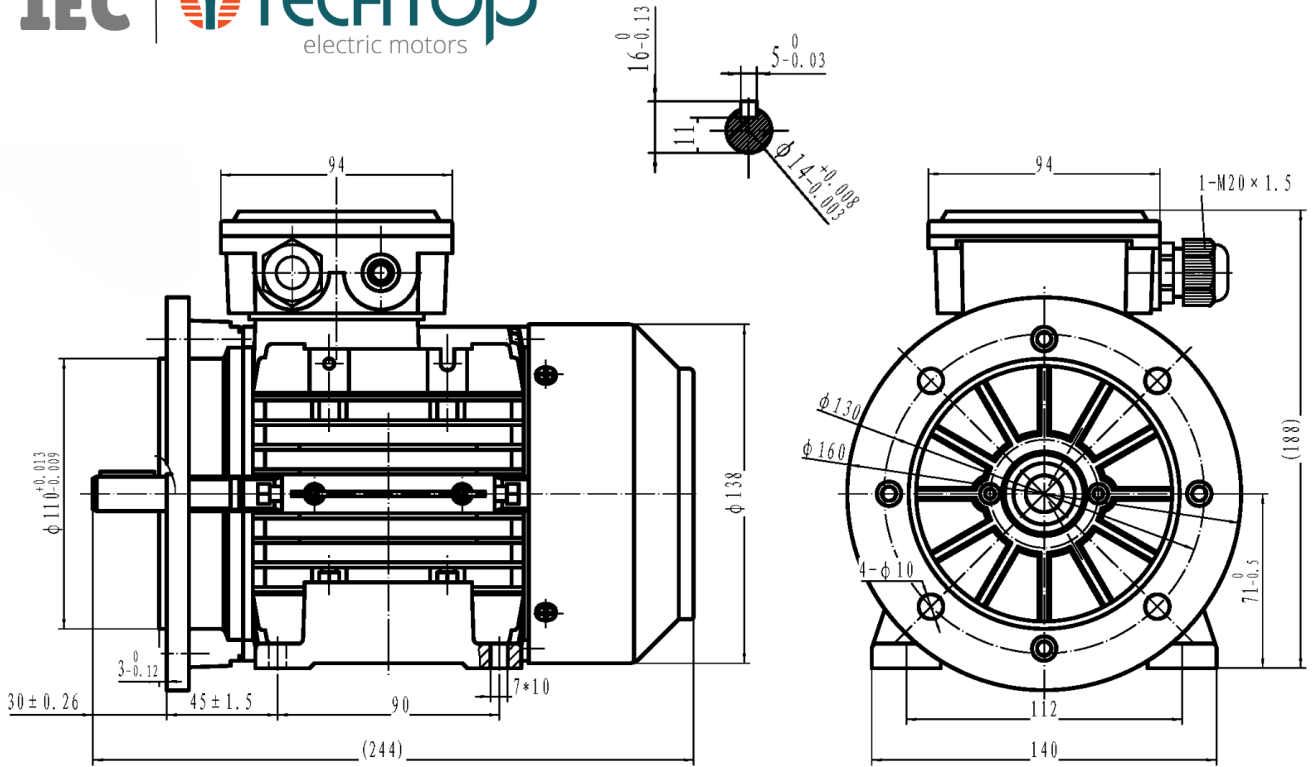
All data shown at HIGH voltage setting

Format | STD 3 Phase

Electrical Data				General Data		
Rated Motor Output Power	-- HP			Frame Size	71	
Rated Motor Speed	1730 r/min			Enclosure	TEFC	
Rated Motor Voltage (3 Phase)	230 460-60 Volts - HZ			Approximate Weight	13.64	
Rated Motor Current	1.30/0.65 Amps			NEMA Design	B	
Service Factor	1.15			IP Rating	55	
KVA Code	J			Insulation Class	F	
Nominal Efficiency	74 %			Tropicalization	YES	
Nominal Power Factor	0.65 cosθ			Duty	Cont.	
Full Load Torque Ft-Lb	1.010512 Ft-Lb			Cable Entry	M20 X 1.5	
Temp Rise @ Full Load °C	25.4			Feet Removable	YES	
Efficiency Level	IE3 - NEMA Premium			Double Drilled	NO	
Load Data	RPM	Trq %FL	Current Amps	Rated Ambient (°C)	40	
Locked Rotor	-	233	5.14	Rated Altitude (M)	1000	
Breakdown	-	296	-	Coating	7024 - Graphite Grey	
Pull Up	-	228	-	Shaft Grounding	NO	
125% of FL	1710	-	0.71	Brake Voltage (DC)	--	
75% of FL	1752	-	0.57	Brake Torque (N-M)	--	
50% of FL	1769	-	0.53	Mechanical Data		
No Load	--	-	0.51	Bearing DE Side	6202ZZ	
Hazardous Location	Class 1, Div 2, Grp A,B,C,D			Bearing NDE Side	6202ZZ	
				Moment of Inertia	-- kg.m2	
				Noise Level	Per NEMA dB (A)	
CT VFD Range		--		Loaded Torque Curves		--
P1 = INPUT POWER (KW), S = Slip (% of Sync RPM), η = Efficiency (%), cosφ = Power Factor						

Certifications	UL	CSA	DOE
File Numbers	323353	224693	096A
Wiring Diagram	3PH 9 Lead IEC Dual Voltage		





MODEL NUMBER	GR3-71B35-AL-TF	ISSUE DATE:	04/2025
DIMENSIONS	in		
CASTING MATERIAL	ALUMINUM	WWW.TECHTOPIND.COM	

Techtop Industries -2815 Colonnades Court - Peachtree Corners, GA 30071 - Phone: (678) 436-5540

Techtop Industries -2815 Colonnades Court - Peachtree Corners, GA 30071 - Phone: (678) 436-5540