



**Model Number** GR3-AL-TF-71B3-2-B-D-.75-230|460-60

**MFG PN** T 712-2

**List Price** --

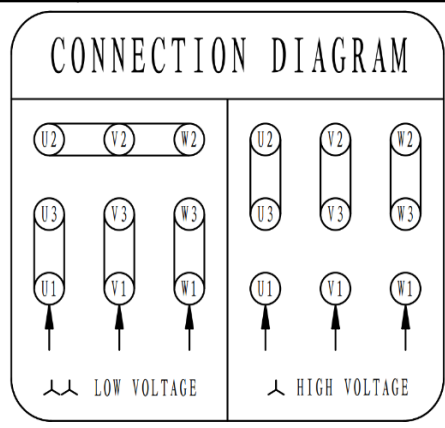
All data shown at HIGH voltage setting

Format | STD 3 Phase

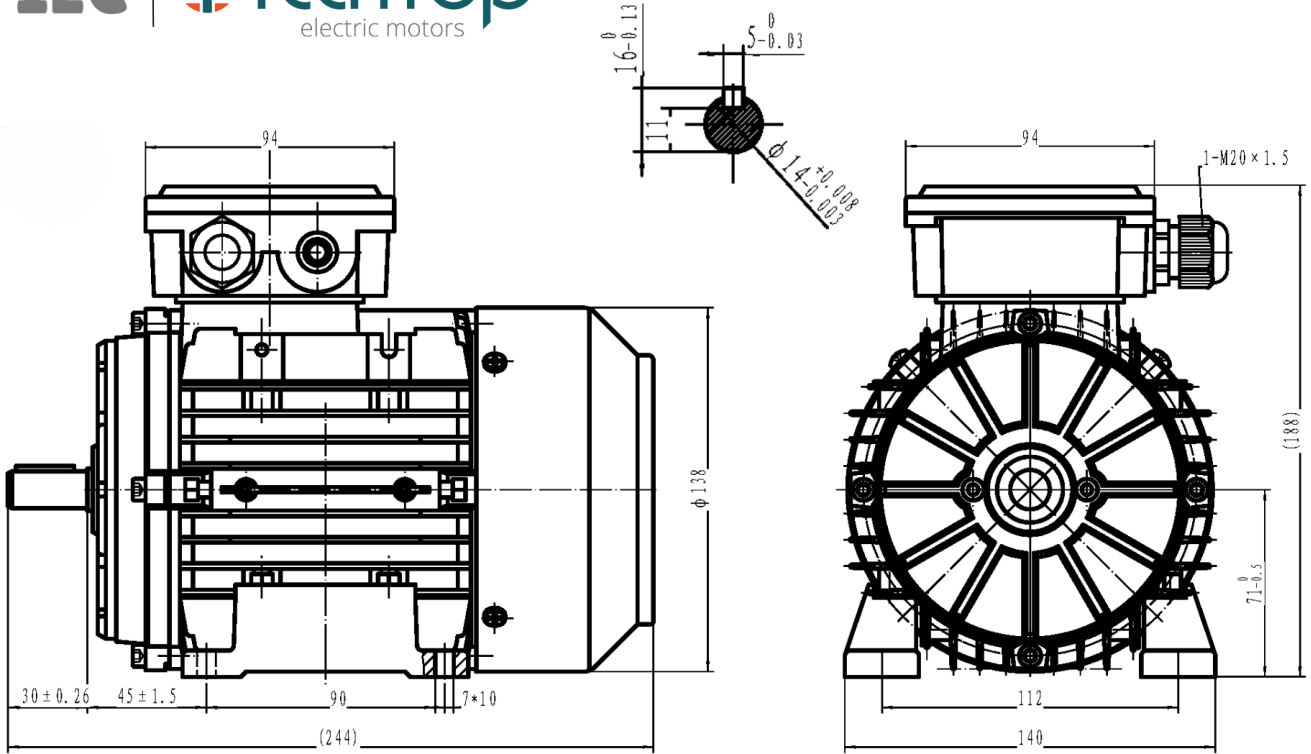
Electrical Data				General Data	
Rated Motor Output Power	0.75 HP			Frame Size	71
Rated Motor Speed	3470 r/min			Enclosure	TEFC
Rated Motor Voltage (3 Phase)	230 460-60 Volts - HZ			Approximate Weight	16
Rated Motor Current	2.24/1.12 Amps			NEMA Design	B
Service Factor	1.15			IP Rating	55
KVA Code	J			Insulation Class	F
Nominal Efficiency	77 %			Tropicalization	YES
Nominal Power Factor	0.8 cosθ			Duty	cont
Full Load Torque Ft-Lb	1.1064 Ft-Lb			Cable Entry	M20 X 1.5
Temp Rise @ Full Load °C	28.3			Feet Removable	YES
Efficiency Level	IE3 - NEMA Premium			Double Drilled	NO
Load Data	RPM	Trq %FL	Current Amps	Rated Ambient (°C)	40
Locked Rotor	-	315	8.6	Rated Altitude (M)	1000
Breakdown	-	344	-	Coating	7024 - Graphite Grey
Pull Up	-	243	-	Shaft Grounding	NO
125% of FL	3474	-	1.37	Brake Voltage (DC)	--
75% of FL	3529	-	1.05	Brake Torque (N-M)	--
50% of FL	3552	-	0.94	Mechanical Data	
No Load	--	-	0.88	Bearing DE Side	6202ZZ
Hazardous Location	Class 1, Div 2, Grp A,B,C,D			Bearing NDE Side	6202ZZ
				Moment of Inertia	-- kg.m2
				Noise Level	Per NEMA dB (A)

CT VFD Range	--	<b>Loaded Torque Curves</b>	--
<b>P1 = INPUT POWER (KW), S = Slip (% of Sync RPM), η = Efficiency (%), cosφ = Power Factor</b>			

<b>Certifications</b>	<b>UL</b>	<b>CSA</b>	<b>DOE</b>
<b>File Numbers</b>	<b>323353</b>	<b>224693</b>	<b>096A</b>
<b>Wiring Diagram</b>	<b>3PH 9 Lead IEC Dual Voltage</b>		



Model Number	GR3-AL-TF-71B3-2-B-D-.75-230 460-60
MFG PN	T 712-2
List Price	--
Base Frame	GR-71B3-AL-TF



MODEL NUMBER	GR3-71B3-AL-TF	ISSUE DATE:	04/2025
DIMENSIONS	in		
CASTING MATERIAL	ALUMINUM	WWW.TECHTOPIND.COM	

Techtop Industries -2815 Colonnades Court - Peachtree Corners, GA 30071 - Phone: (678) 436-5540

Techtop Industries -2815 Colonnades Court - Peachtree Corners, GA 30071 - Phone: (678) 436-5540