



Model Number GR3-AL-TF-63B34-4-B-D-.25-230|460-60

MFG PN T 632-4

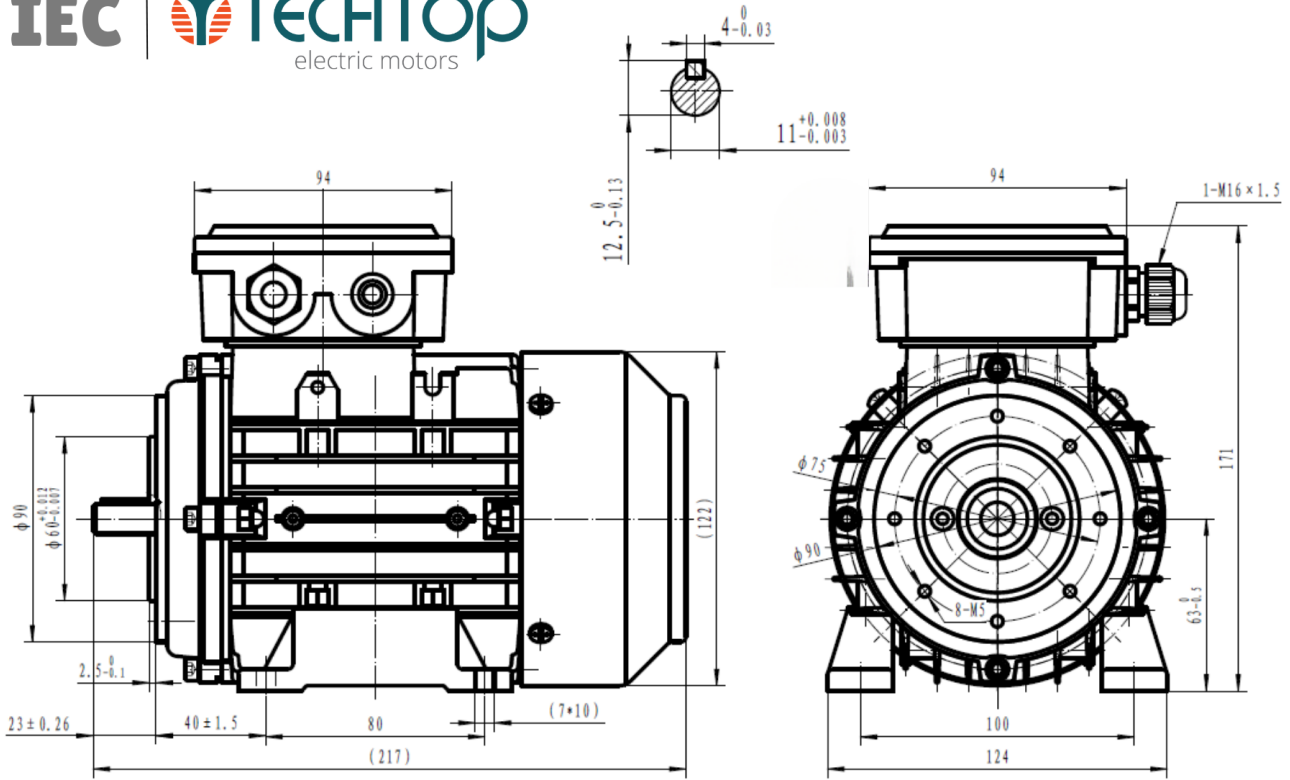
List Price --

All data shown at HIGH voltage setting

Format | STD 3 Phase

Electrical Data				General Data	
Rated Motor Output Power	0.25 HP			Frame Size	63
Rated Motor Speed	1715 r/min			Enclosure	TEFC
Rated Motor Voltage (3 Phase)	230 460-60 Volts - HZ			Approximate Weight	9.2
Rated Motor Current	1.00/0.50 Amps			NEMA Design	B
Service Factor	1.15			IP Rating	55
KVA Code	H			Insulation Class	F
Nominal Efficiency	70 %			Tropicalization	YES
Nominal Power Factor	0.64 cosθ			Duty	Cont.
Full Load Torque Ft-Lb	0.59008 Ft-Lb			Cable Entry	M16 X 1.5
Temp Rise @ Full Load °C	26.4			Feet Removable	YES
Efficiency Level	IE3 - NEMA Premium			Double Drilled	NO
Load Data	RPM	Trq %FL	Current Amps	Rated Ambient (°C)	40
Locked Rotor	-	216	4.32	Rated Altitude (M)	1000
Breakdown	-	247	-	Coating	7024 - Graphite Grey
Pull Up	-	218	-	Shaft Grounding	NO
125% of FL	1685	-	0.56	Brake Voltage (DC)	--
75% of FL	1740	-	0.46	Brake Torque (N-M)	--
50% of FL	1761	-	0.44	Mechanical Data	
No Load	--	-	0.43	Bearing DE Side	6201ZZ
Hazardous Location	Class 1, Div 2, Grp A,B,C,D			Bearing NDE Side	6201ZZ
				Moment of Inertia	-- kg.m2
				Noise Level	Per NEMA dB (A)
CT VFD Range		--		Loaded Torque Curves	
				P1 = INPUT POWER (KW), S = Slip (% of Sync RPM), η = Efficiency (%), cosφ = Power Factor	
Certifications	UL	CSA	DOE		
File Numbers	323353	224693	096A		
Wiring Diagram	3PH 9 Lead IEC Dual Voltage				
<div style="border: 1px solid black; padding: 10px; text-align: center;"> <h3>CONNECTION DIAGRAM</h3> <p>LOW VOLTAGE HIGH VOLTAGE</p> </div>					

Model Number	GR3-AL-TF-63B34-4-B-D-.25-230 460-60
MFG PN	T 632-4
List Price	--
Base Frame	GR-63B34-AL-TF



MODEL NUMBER	GR3-63B34-AL-TF	ISSUE DATE:	04/2025
DIMENSIONS	in		
CASTING MATERIAL	ALUMINUM	WWW.TECHTOPIND.COM	

Techtop Industries -2815 Colonnades Court - Peachtree Corners, GA 30071 - Phone: (678) 436-5540

Techtop Industries -2815 Colonnades Court - Peachtree Corners, GA 30071 - Phone: (678) 436-5540