



Model Number GR3-AL-TF-63B3-2-B-D-.5-230|460-60

MFG PN T 633-2

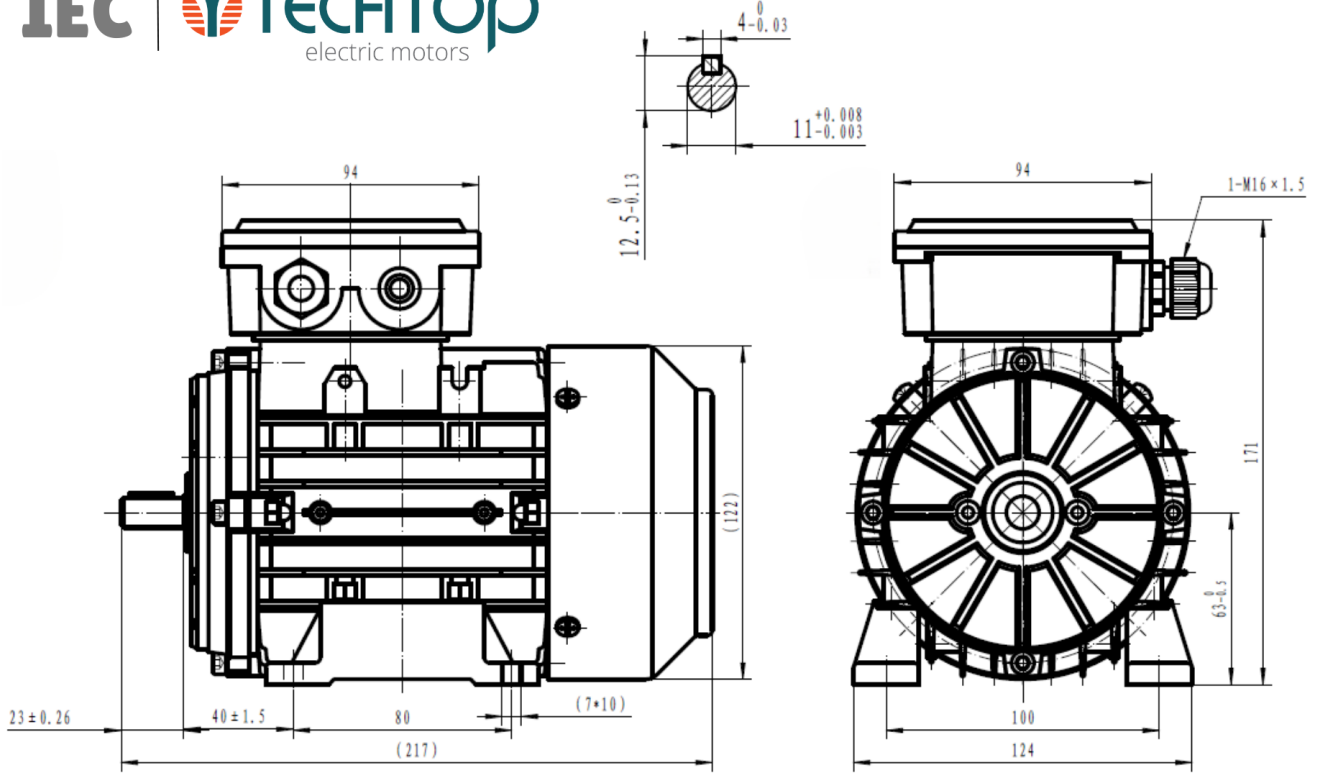
List Price --

All data shown at HIGH voltage setting

Format | STD 3 Phase

Electrical Data				General Data	
Rated Motor Output Power	0.5 HP			Frame Size	63
Rated Motor Speed	3460 r/min			Enclosure	TEFC
Rated Motor Voltage (3 Phase)	230 460-60 Volts - HZ			Approximate Weight	10.83
Rated Motor Current	1.68/0.84 Amps			NEMA Design	B
Service Factor	1.15			IP Rating	55
KVA Code	J			Insulation Class	F
Nominal Efficiency	74 %			Tropicalization	YES
Nominal Power Factor	0.75 cosθ			Duty	cont
Full Load Torque Ft-Lb	0.413056 Ft-Lb			Cable Entry	M16 X 1.5
Temp Rise @ Full Load °C	32.7			Feet Removable	YES
Efficiency Level	IE3 - NEMA Premium			Double Drilled	NO
Load Data	RPM	Trq %FL	Current Amps	Rated Ambient (°C)	40
Locked Rotor	-	256	5.83	Rated Altitude (M)	1000
Breakdown	-	327	-	Coating	7024 - Graphite Grey
Pull Up	-	247	-	Shaft Grounding	NO
125% of FL	3448	-	0.94	Brake Voltage (DC)	
75% of FL	3517	-	0.74	Brake Torque (N-M)	
50% of FL	3545	-	0.69	Mechanical Data	
No Load		-	0.67	Bearing DE Side	6201ZZ
Hazardous Location	Class 1, Div 2, Grp A,B,C,D			Bearing NDE Side	6201ZZ
				Moment of Inertia	kg.m2
				Noise Level	Per NEMA dB (A)
CT VFD Range		--		Loaded Torque Curves	
				--	
P1 = INPUT POWER (KW), S = Slip (% of Sync RPM), η = Efficiency (%), cosφ = Power Factor					
Certifications	UL	CSA	DOE		
File Numbers	323353	224693	096A		
Wiring Diagram	3PH 9 Lead IEC Dual Voltage				
<div style="border: 1px solid black; padding: 10px; text-align: center;"> <h3>CONNECTION DIAGRAM</h3> <p>LOW VOLTAGE HIGH VOLTAGE</p> </div>					

Model Number	GR3-AL-TF-63B3-2-B-D-.5-230 460-60
MFG PN	T 633-2
List Price	--
Base Frame	GR-63B3-AL-TF



MODEL NUMBER	GR3-63B3-AL-TF	ISSUE DATE:	04/2025
DIMENSIONS	in		
CASTING MATERIAL	ALUMINUM	WWW.TECHTOPIND.COM	

Techtop Industries -2815 Colonnades Court - Peachtree Corners, GA 30071 - Phone: (678) 436-5540

Techtop Industries -2815 Colonnades Court - Peachtree Corners, GA 30071 - Phone: (678) 436-5540