



**Model Number** GR3-AL-TF-56J-4-B-D-1-230|460-60

**MFG PN** T56 1U4B

**List Price** --

All data shown at HIGH voltage setting

Format STD 3 Phase

Electrical Data		General Data	
Rated Motor Output Power	1 HP	Frame Size	56
Rated Motor Speed	1745 r/min	Enclosure	TEFC
Rated Motor Voltage (3 Phase)	230 460-60 Volts - HZ	Approximate Weight	25.5
Rated Motor Current	3.18/1.6 Amps	NEMA Design	B
Service Factor	1.25	IP Rating	55
KVA Code	L	Insulation Class	F
Nominal Efficiency	85.5 %	Tropicalization	YES
Nominal Power Factor	0.7 cosθ	Duty	cont
Full Load Torque Ft-Lb	3.272 Ft-Lb	Cable Entry	1.25
Temp Rise @ Full Load °C	26	Feet Removable	YES
Efficiency Level	IE3 - NEMA Premium	Double Drilled	NO

Load Data	RPM	Trq %FL	Current Amps	Mechanical Data	
Locked Rotor	-	378	12	Rated Ambient (°C)	40
Breakdown	-	449	-	Rated Altitude (M)	1000
Pull Up	-	363	-	Coating	7069 - Graphite Grey
125% of FL	1734	-	1.81	Shaft Grounding	NO
75% of FL	1763	-	1.38	Brake Voltage (DC)	--
50% of FL	1775	-	1.23	Brake Torque (N-M)	--
No Load	--	-	1.11		

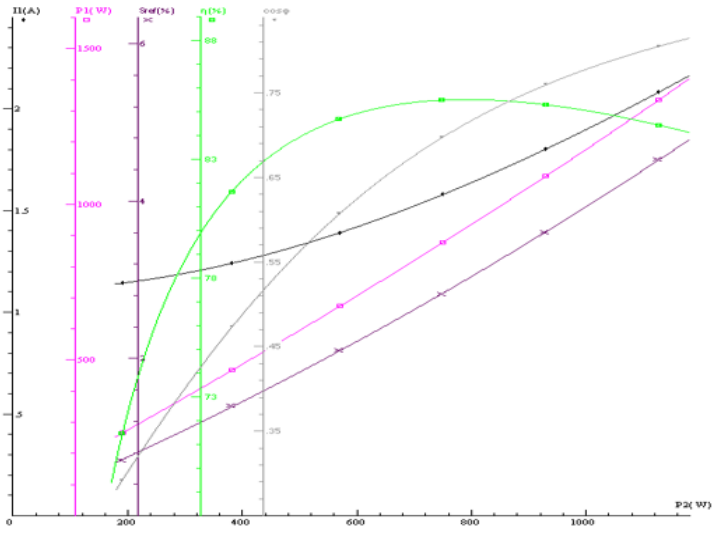
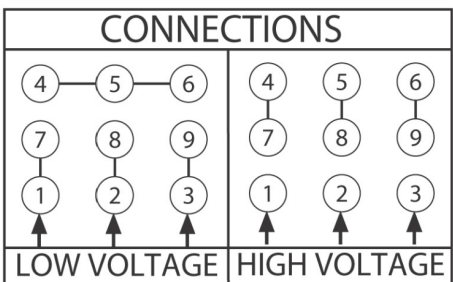
Hazardous Location	Class 1, Div 2, Grp A,B,C,D			Bearing DE Side	6204ZZ
				Bearing NDE Side	6204ZZ
				Moment of Inertia	-- kg.m2
				Noise Level	Per NEMA dB (A)

CT VFD Range	--	<b>Loaded Torque Curves</b>	--
<b>P1 = INPUT POWER (KW), S = Slip (% of Sync RPM), η = Efficiency (%), cosφ = Power Factor</b>			

Certifications	UL	CSA	DOE
File Numbers	323353	224693	096A

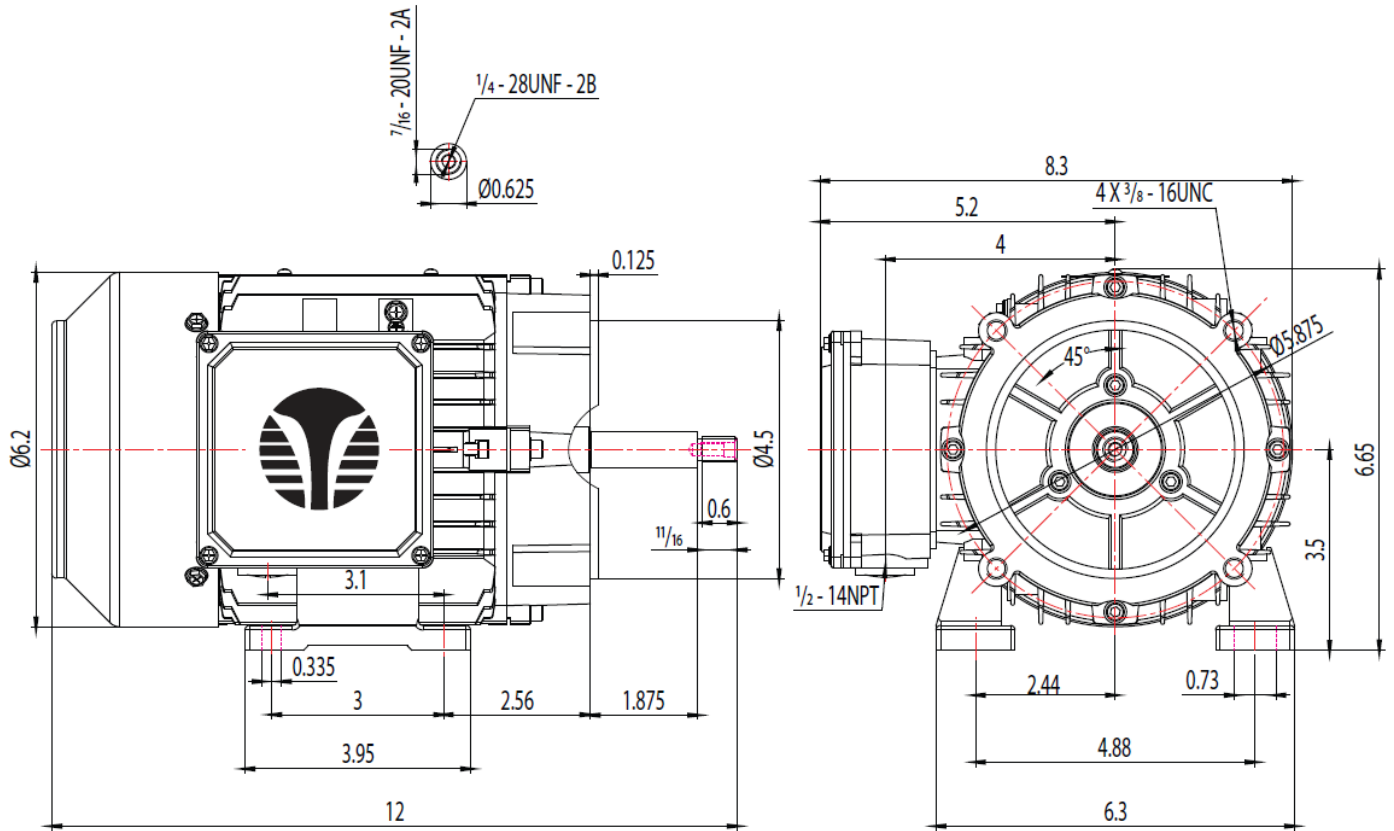
**Wiring Diagram** 3PH 9 Lead Dual Voltage

**3 Phase - YY/Y - 9 Lead**  
 4,1 Blue / 5,2 White / 6,3 Org / 7 Yl / 8 Blk / 9 RD  
 Cast Iron- 1,2,3 Top - 4,5,6,7,8,9 Bottom  
 Aluminum - 4,5,6,8,9 Top - 1,2,3,7 Bottom



Model Number	GR3-AL-TF-56J-4-B-D-1-230 460-60
MFG PN	T56 1U4B
List Price	--
Base Frame	GR-56J-AL-TF

FRAME: 56J    HP:    RPM:    PHASE: 3    VOLT: 115/208-230V    ENCL: TEFC    FREQ: 60 Hz    FLA:    LRA:



MODEL NUMBER:	REV.	BY	DATE	CHANGES
GR3-AL-TF-56J	1			
MFG PN:	2			
	3			
	4			
	5			
	6			
	7			