



Model Number GR3-AL-TF-56J-4-B-D-.5-230|460-60

MFG PN T56 1/2U4B

List Price --

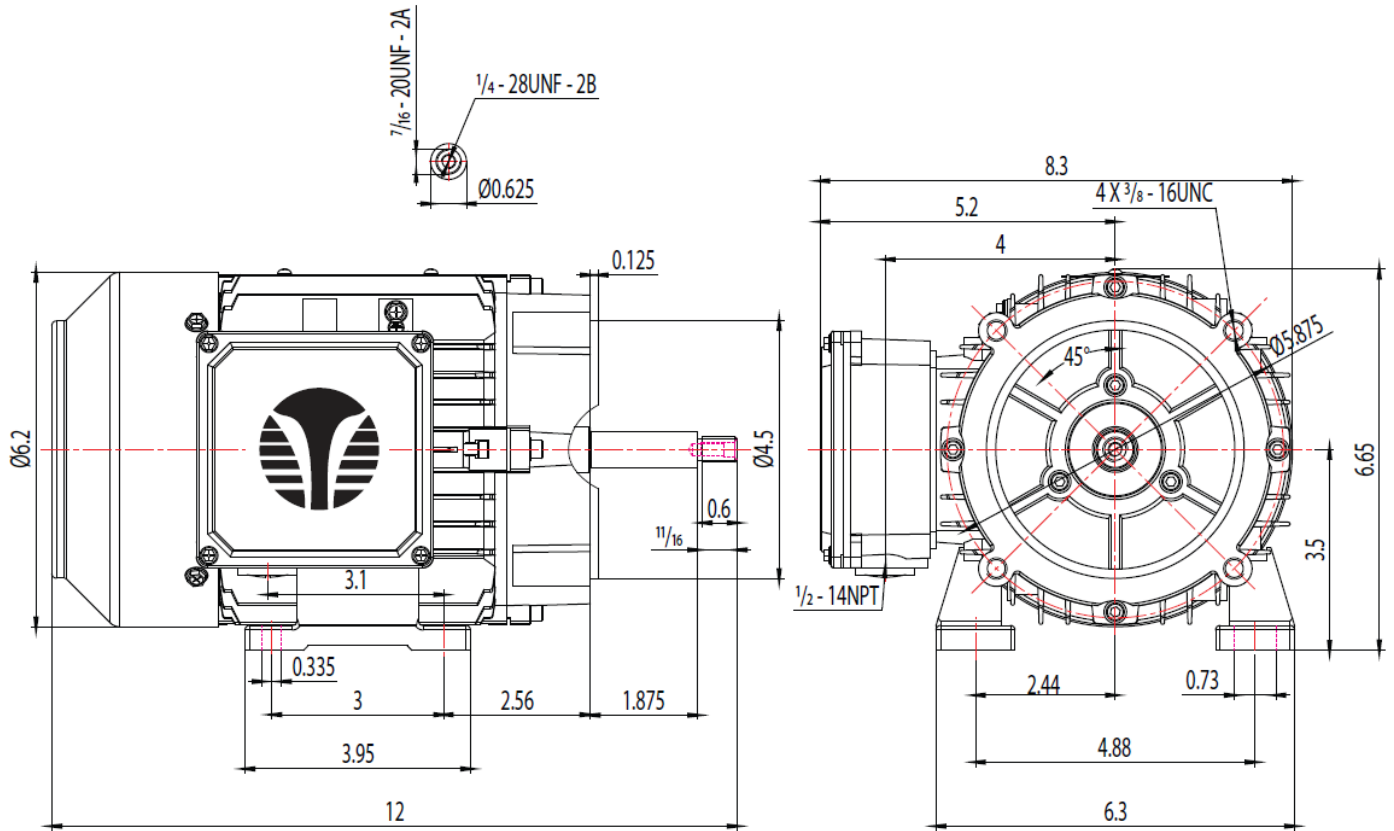
All data shown at HIGH voltage setting

Format STD 3 Phase

| Electrical Data | | | | General Data | | | | | | | | | | | | | | | | | | | | | | | | | | | | | | | |
|--|-----------------------------|---------|--------------|--|----------------------|---|---|---|---|---|---|---|---|---|---|---|---|---|---|---|---|---|---|---|--|--|---|--|--|-------------|--|--|--------------|--|--|
| Rated Motor Output Power | 0.5 HP | | | Frame Size | 56 | | | | | | | | | | | | | | | | | | | | | | | | | | | | | | |
| Rated Motor Speed | 1750 r/min | | | Enclosure | TEFC | | | | | | | | | | | | | | | | | | | | | | | | | | | | | | |
| Rated Motor Voltage (3 Phase) | 230 460-60 Volts - HZ | | | Approximate Weight | 17.57 | | | | | | | | | | | | | | | | | | | | | | | | | | | | | | |
| Rated Motor Current | 1.8/0.9 Amps | | | NEMA Design | B | | | | | | | | | | | | | | | | | | | | | | | | | | | | | | |
| Service Factor | 1.25 | | | IP Rating | 55 | | | | | | | | | | | | | | | | | | | | | | | | | | | | | | |
| KVA Code | L | | | Insulation Class | F | | | | | | | | | | | | | | | | | | | | | | | | | | | | | | |
| Nominal Efficiency | 78.5 % | | | Tropicalization | YES | | | | | | | | | | | | | | | | | | | | | | | | | | | | | | |
| Nominal Power Factor | 0.66 cosθ | | | Duty | cont | | | | | | | | | | | | | | | | | | | | | | | | | | | | | | |
| Full Load Torque Ft-Lb | 1.64 Ft-Lb | | | Cable Entry | 1.25 | | | | | | | | | | | | | | | | | | | | | | | | | | | | | | |
| Temp Rise @ Full Load °C | 25.4 | | | Feet Removable | YES | | | | | | | | | | | | | | | | | | | | | | | | | | | | | | |
| Efficiency Level | IE3 - NEMA Premium | | | Double Drilled | NO | | | | | | | | | | | | | | | | | | | | | | | | | | | | | | |
| Load Data | RPM | Trq %FL | Current Amps | Rated Ambient (°C) | 40 | | | | | | | | | | | | | | | | | | | | | | | | | | | | | | |
| Locked Rotor | - | 324 | 5.7 | Rated Altitude (M) | 1000 | | | | | | | | | | | | | | | | | | | | | | | | | | | | | | |
| Breakdown | - | 374 | - | Coating | 7066 - Graphite Grey | | | | | | | | | | | | | | | | | | | | | | | | | | | | | | |
| Pull Up | - | 273 | - | Shaft Grounding | NO | | | | | | | | | | | | | | | | | | | | | | | | | | | | | | |
| 125% of FL | 1735 | - | 1 | Brake Voltage (DC) | -- | | | | | | | | | | | | | | | | | | | | | | | | | | | | | | |
| 75% of FL | 1764 | - | 0.81 | Brake Torque (N-M) | -- | | | | | | | | | | | | | | | | | | | | | | | | | | | | | | |
| 50% of FL | 1776 | - | 0.75 | Mechanical Data | | | | | | | | | | | | | | | | | | | | | | | | | | | | | | | |
| No Load | -- | - | 0.71 | Bearing DE Side | 6204ZZ | | | | | | | | | | | | | | | | | | | | | | | | | | | | | | |
| Hazardous Location | Class 1, Div 2, Grp A,B,C,D | | | Bearing NDE Side | 6204ZZ | | | | | | | | | | | | | | | | | | | | | | | | | | | | | | |
| | | | | Moment of Inertia | -- kg.m2 | | | | | | | | | | | | | | | | | | | | | | | | | | | | | | |
| | | | | Noise Level | Per NEMA dB (A) | | | | | | | | | | | | | | | | | | | | | | | | | | | | | | |
| CT VFD Range | | -- | | Loaded Torque Curves | | | | | | | | | | | | | | | | | | | | | | | | | | | | | | | |
| | | | | P1 = INPUT POWER (KW), S = Slip (% of Sync RPM), η = Efficiency (%), cosφ = Power Factor | | | | | | | | | | | | | | | | | | | | | | | | | | | | | | | |
| Certifications | UL | CSA | DOE | | | | | | | | | | | | | | | | | | | | | | | | | | | | | | | | |
| File Numbers | 323353 | 224693 | 096A | | | | | | | | | | | | | | | | | | | | | | | | | | | | | | | | |
| Wiring Diagram | 3PH 9 Lead Dual Voltage | | | | | | | | | | | | | | | | | | | | | | | | | | | | | | | | | | |
| <p>3 Phase - YY/Y - 9 Lead</p> <p>4,1 Blue / 5,2 White / 6,3 Org / 7 YI / 8 Blk / 9 RD</p> <p>Cast Iron- 1,2,3 Top - 4,5,6,7,8,9 Bottom</p> <p>Aluminum - 4,5,6,8,9 Top - 1,2,3,7 Bottom</p> | | | | | | | | | | | | | | | | | | | | | | | | | | | | | | | | | | | |
| <p style="text-align: center;">CONNECTIONS</p> <table border="1" style="width: 100%; text-align: center;"> <tr> <td>4</td><td>5</td><td>6</td> <td>4</td><td>5</td><td>6</td> </tr> <tr> <td>7</td><td>8</td><td>9</td> <td>7</td><td>8</td><td>9</td> </tr> <tr> <td>1</td><td>2</td><td>3</td> <td>1</td><td>2</td><td>3</td> </tr> <tr> <td colspan="3">↑</td> <td colspan="3">↑</td> </tr> <tr> <td colspan="3">LOW VOLTAGE</td> <td colspan="3">HIGH VOLTAGE</td> </tr> </table> | | | | | | 4 | 5 | 6 | 4 | 5 | 6 | 7 | 8 | 9 | 7 | 8 | 9 | 1 | 2 | 3 | 1 | 2 | 3 | ↑ | | | ↑ | | | LOW VOLTAGE | | | HIGH VOLTAGE | | |
| 4 | 5 | 6 | 4 | 5 | 6 | | | | | | | | | | | | | | | | | | | | | | | | | | | | | | |
| 7 | 8 | 9 | 7 | 8 | 9 | | | | | | | | | | | | | | | | | | | | | | | | | | | | | | |
| 1 | 2 | 3 | 1 | 2 | 3 | | | | | | | | | | | | | | | | | | | | | | | | | | | | | | |
| ↑ | | | ↑ | | | | | | | | | | | | | | | | | | | | | | | | | | | | | | | | |
| LOW VOLTAGE | | | HIGH VOLTAGE | | | | | | | | | | | | | | | | | | | | | | | | | | | | | | | | |

| | |
|--------------|-----------------------------------|
| Model Number | GR3-AL-TF-56J-4-B-D-.5-230 460-60 |
| MFG PN | T56 1/2U4B |
| List Price | -- |
| Base Frame | GR-56J-AL-TF |

FRAME: 56J HP: RPM: PHASE: 3 VOLT: 115/208-230V ENCL: TEFC FREQ: 60 Hz FLA: LRA:



| MODEL NUMBER: | REV. | BY | DATE | CHANGES |
|---------------|------|----|------|---------|
| GR3-AL-TF-56J | 1 | | | |
| MFG PN: | 2 | | | |
| | 3 | | | |
| | 4 | | | |
| | 5 | | | |
| | 6 | | | |
| | 7 | | | |