



**Model Number** GR3-AL-TF-56J-4-B-D-.33-230|460-60

**MFG PN** T56 1/3U4B

**List Price** --

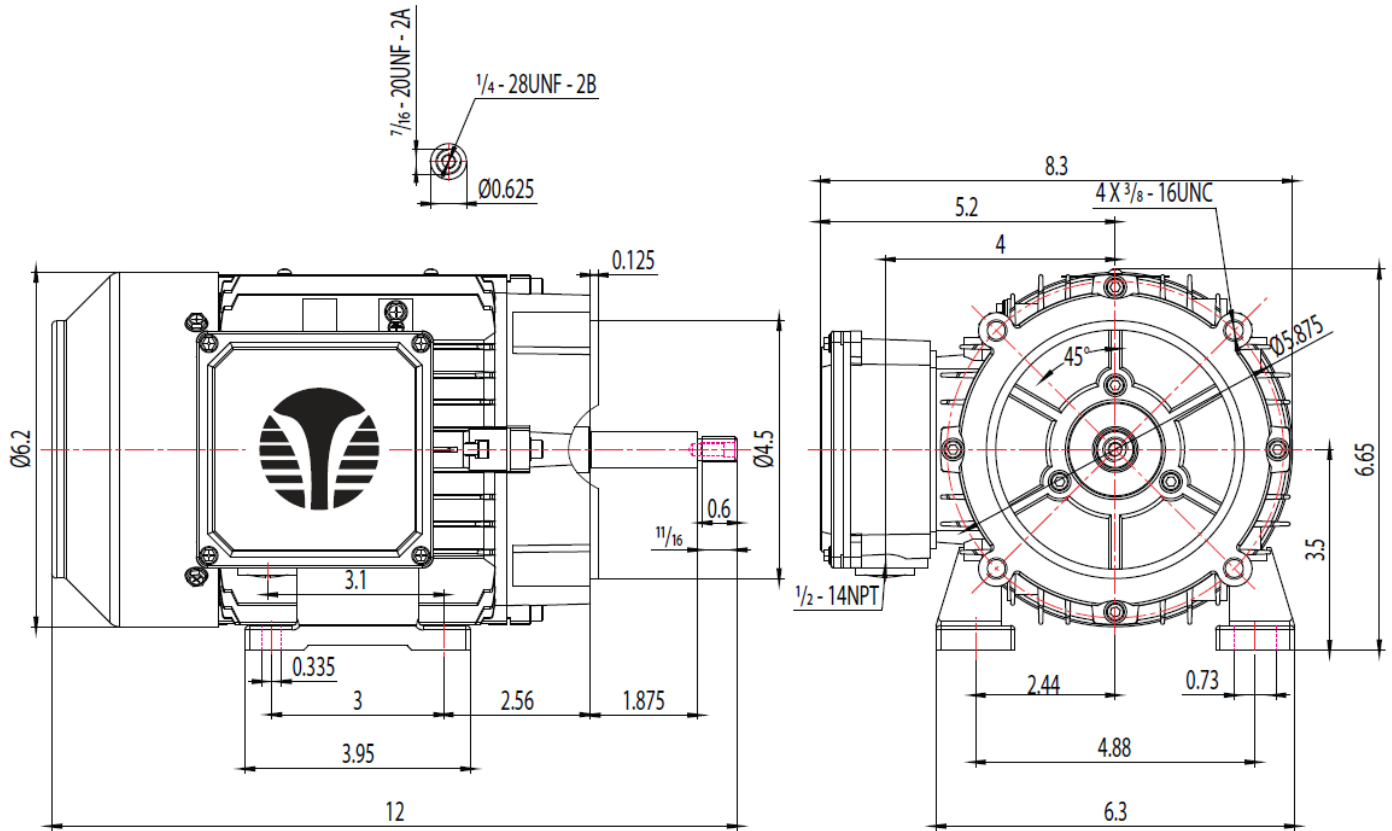
All data shown at HIGH voltage setting

Format | STD 3 Phase

Electrical Data				General Data																															
Rated Motor Output Power	0.33 HP			Frame Size	56																														
Rated Motor Speed	1750 r/min			Enclosure	TEFC																														
Rated Motor Voltage (3 Phase)	230 460-60 Volts - HZ			Approximate Weight	15.62																														
Rated Motor Current	1.34/0.67 Amps			NEMA Design	B																														
Service Factor	1.25			IP Rating	55																														
KVA Code	K			Insulation Class	F																														
Nominal Efficiency	74 %			Tropicalization	YES																														
Nominal Power Factor	0.63 cosθ			Duty	cont																														
Full Load Torque Ft-Lb	1.064 Ft-Lb			Cable Entry	1.25																														
Temp Rise @ Full Load °C	27.5			Feet Removable	YES																														
Efficiency Level	IE3 - NEMA Premium			Double Drilled	NO																														
Load Data	RPM	Trq %FL	Current Amps	Rated Ambient (°C)	40																														
Locked Rotor	-	350	3.9	Rated Altitude (M)	1000																														
Breakdown	-	380	-	Coating	7065 - Graphite Grey																														
Pull Up	-	273	-	Shaft Grounding	NO																														
125% of FL	1735	-	0.73	Brake Voltage (DC)	--																														
75% of FL	1763	-	0.61	Brake Torque (N-M)	--																														
50% of FL	1775	-	0.58	Mechanical Data																															
No Load	--	-	0.56	Bearing DE Side	6204ZZ																														
Hazardous Location	Class 1, Div 2, Grp A,B,C,D			Bearing NDE Side	6204ZZ																														
				Moment of Inertia	-- kg.m2																														
				Noise Level	Per NEMA dB (A)																														
CT VFD Range		--		Loaded Torque Curves																															
				P1 = INPUT POWER (KW), S = Slip (% of Sync RPM), η = Efficiency (%), cosφ = Power Factor																															
Certifications	UL	CSA	DOE																																
File Numbers	323353	224693	096A																																
Wiring Diagram	3PH 9 Lead Dual Voltage																																		
<p><b>3 Phase - YY/Y - 9 Lead</b></p> <p>4,1 Blue / 5,2 White / 6,3 Org / 7 YI / 8 Blk / 9 RD</p> <p>Cast Iron- 1,2,3 Top - 4,5,6,7,8,9 Bottom</p> <p>Aluminum - 4,5,6,8,9 Top - 1,2,3,7 Bottom</p>																																			
<p style="text-align: center;"><b>CONNECTIONS</b></p> <table border="1" style="width: 100%; text-align: center;"> <tr> <td>4</td><td>5</td><td>6</td> <td>4</td><td>5</td><td>6</td> </tr> <tr> <td>7</td><td>8</td><td>9</td> <td>7</td><td>8</td><td>9</td> </tr> <tr> <td>1</td><td>2</td><td>3</td> <td>1</td><td>2</td><td>3</td> </tr> <tr> <td colspan="3">↑</td> <td colspan="3">↑</td> </tr> <tr> <td colspan="3">LOW VOLTAGE</td> <td colspan="3">HIGH VOLTAGE</td> </tr> </table>						4	5	6	4	5	6	7	8	9	7	8	9	1	2	3	1	2	3	↑			↑			LOW VOLTAGE			HIGH VOLTAGE		
4	5	6	4	5	6																														
7	8	9	7	8	9																														
1	2	3	1	2	3																														
↑			↑																																
LOW VOLTAGE			HIGH VOLTAGE																																

Model Number	GR3-AL-TF-56J-4-B-D-.33-230 460-60
MFG PN	T56 1/3U4B
List Price	--
Base Frame	GR-56J-AL-TF

FRAME: 56J    HP:    RPM:    PHASE: 3    VOLT: 115/208-230V    ENCL: TEFC    FREQ: 60 Hz    FLA:    LRA:



MODEL NUMBER:	REV.	BY	DATE	CHANGES
GR3-AL-TF-56J	1			
MFG PN:	2			
	3			
	4			
	5			
	6			
	7			