



Model Number GR3-AL-TF-56J-2-B-D-.75-230|460-60

MFG PN T56 3/4U2B

List Price --

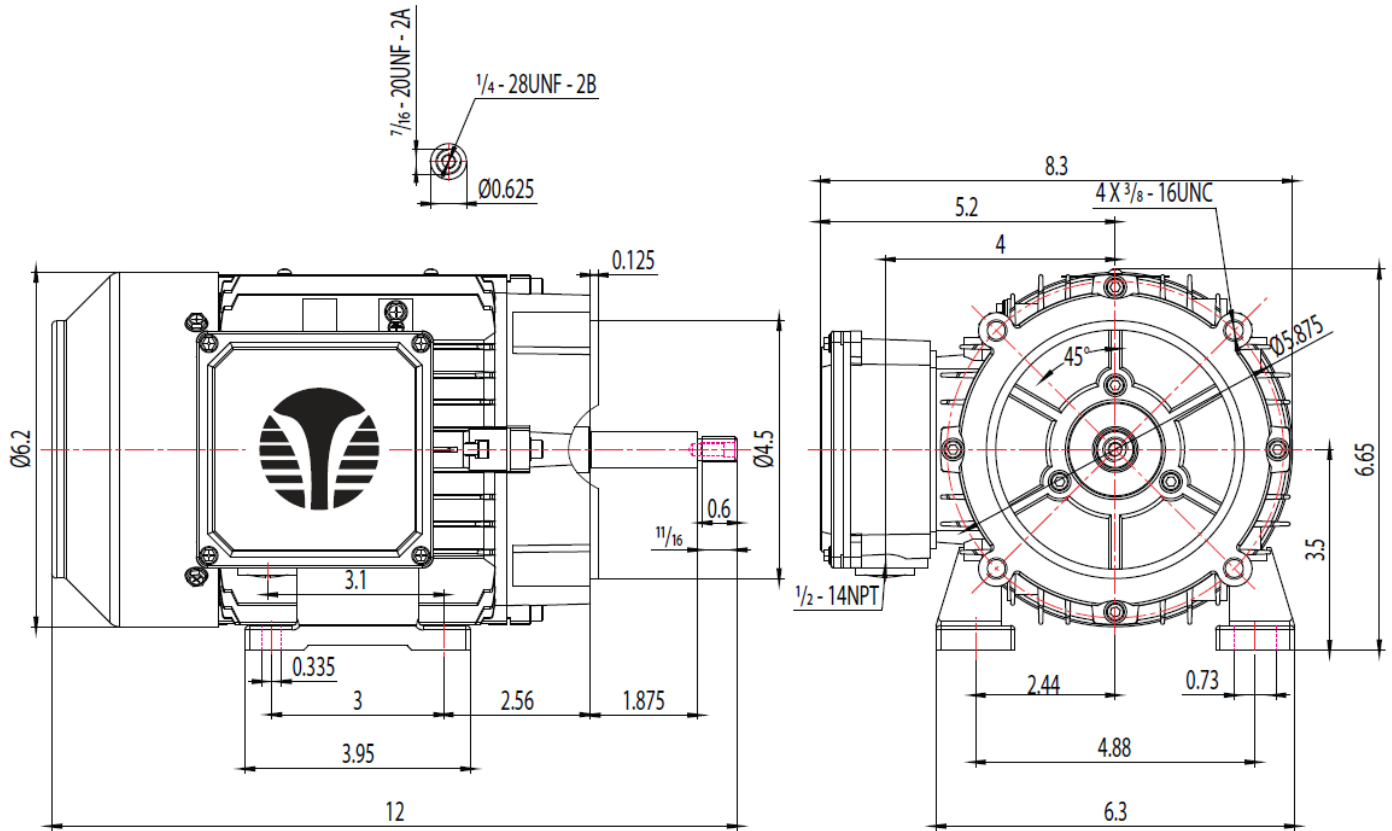
All data shown at HIGH voltage setting

Format | STD 3 Phase

Electrical Data				General Data																															
Rated Motor Output Power	0.75 HP			Frame Size	56																														
Rated Motor Speed	3500 r/min			Enclosure	TEFC																														
Rated Motor Voltage (3 Phase)	230 460-60 Volts - HZ			Approximate Weight	17																														
Rated Motor Current	2.40/1.20 Amps			NEMA Design	B																														
Service Factor	1.25			IP Rating	55																														
KVA Code	L			Insulation Class	F																														
Nominal Efficiency	77 %			Tropicalization	YES																														
Nominal Power Factor	0.77 cosθ			Duty	cont																														
Full Load Torque Ft-Lb	1.24 Ft-Lb			Cable Entry	1.25																														
Temp Rise @ Full Load °C	40.4			Feet Removable	YES																														
Efficiency Level	IE3 - NEMA Premium			Double Drilled	NO																														
Load Data	RPM	Trq %FL	Current Amps	Rated Ambient (°C)	40																														
Locked Rotor	-	315	8.6	Rated Altitude (M)	1000																														
Breakdown	-	344	-	Coating	7060 - Graphite Grey																														
Pull Up	-	243	-	Shaft Grounding	NO																														
125% of FL	3474	-	1.37	Brake Voltage (DC)	--																														
75% of FL	3529	-	1.05	Brake Torque (N-M)	--																														
50% of FL	3552	-	0.94	Mechanical Data																															
No Load	--	-	0.88	Bearing DE Side	6204ZZ																														
Hazardous Location	Class 1, Div 2, Grp A,B,C,D			Bearing NDE Side	6204ZZ																														
				Moment of Inertia	-- kg.m2																														
				Noise Level	Per NEMA dB (A)																														
CT VFD Range		--		Loaded Torque Curves																															
				P1 = INPUT POWER (KW), S = Slip (% of Sync RPM), η = Efficiency (%), cosφ = Power Factor																															
Certifications	UL	CSA	DOE																																
File Numbers	323353	224693	096A																																
Wiring Diagram	3PH 9 Lead Dual Voltage																																		
<p>3 Phase - YY/Y - 9 Lead</p> <p>4,1 Blue / 5,2 White / 6,3 Org / 7 YI / 8 Blk / 9 RD</p> <p>Cast Iron- 1,2,3 Top - 4,5,6,7,8,9 Bottom</p> <p>Aluminum - 4,5,6,8,9 Top - 1,2,3,7 Bottom</p>																																			
<p style="text-align: center;">CONNECTIONS</p> <table border="1" style="width: 100%; text-align: center;"> <tr> <td>4</td><td>5</td><td>6</td> <td>4</td><td>5</td><td>6</td> </tr> <tr> <td>7</td><td>8</td><td>9</td> <td>7</td><td>8</td><td>9</td> </tr> <tr> <td>1</td><td>2</td><td>3</td> <td>1</td><td>2</td><td>3</td> </tr> <tr> <td colspan="3">↑</td> <td colspan="3">↑</td> </tr> <tr> <td colspan="3">LOW VOLTAGE</td> <td colspan="3">HIGH VOLTAGE</td> </tr> </table>						4	5	6	4	5	6	7	8	9	7	8	9	1	2	3	1	2	3	↑			↑			LOW VOLTAGE			HIGH VOLTAGE		
4	5	6	4	5	6																														
7	8	9	7	8	9																														
1	2	3	1	2	3																														
↑			↑																																
LOW VOLTAGE			HIGH VOLTAGE																																

Model Number	GR3-AL-TF-56J-2-B-D-.75-230 460-60
MFG PN	T56 3/4U2B
List Price	--
Base Frame	GR-56J-AL-TF

FRAME: 56J HP: RPM: PHASE: 3 VOLT: 115/208-230V ENCL: TEFC FREQ: 60 Hz FLA: LRA:



MODEL NUMBER:	REV.	BY	DATE	CHANGES
GR3-AL-TF-56J	1			
MFG PN:	2			
	3			
	4			
	5			
	6			
	7			