



Model Number GR3-AL-TF-215JM-4-B-D-10-230|460-60

MFG PN TFC215T10U4B

List Price --

All data shown at HIGH voltage setting

Format STD 3 Phase

Electrical Data		General Data	
Rated Motor Output Power	10 HP	Frame Size	215
Rated Motor Speed	1750 r/min	Enclosure	TEFC
Rated Motor Voltage (3 Phase)	230 460-60 Volts - HZ	Approximate Weight	176
Rated Motor Current	23.8/11.9 Amps	NEMA Design	A
Service Factor	1.25	IP Rating	55
KVA Code	J	Insulation Class	F
Nominal Efficiency	91.7 %	Tropicalization	YES
Nominal Power Factor	0.86 cosθ	Duty	Cont.
Full Load Torque Ft-Lb	38.3552 Ft-Lb	Cable Entry	1.25
Temp Rise @ Full Load °C	51.3	Feet Removable	YES
Efficiency Level	IE3 - NEMA Premium	Double Drilled	NO

Load Data	RPM	Trq %FL	Current Amps	Mechanical Data	
Locked Rotor	-	212	93.82	Bearing DE Side	6308ZZ
Breakdown	-	269	-	Bearing NDE Side	6308ZZ
Pull Up	-	101	-	Moment of Inertia	kg.m2
125% of FL	1779	-	14.87	Noise Level	Per NEMA dB (A)
75% of FL	1767	-	8.94		
50% of FL	1779	-	6.48		
No Load	1795	-	3.67		

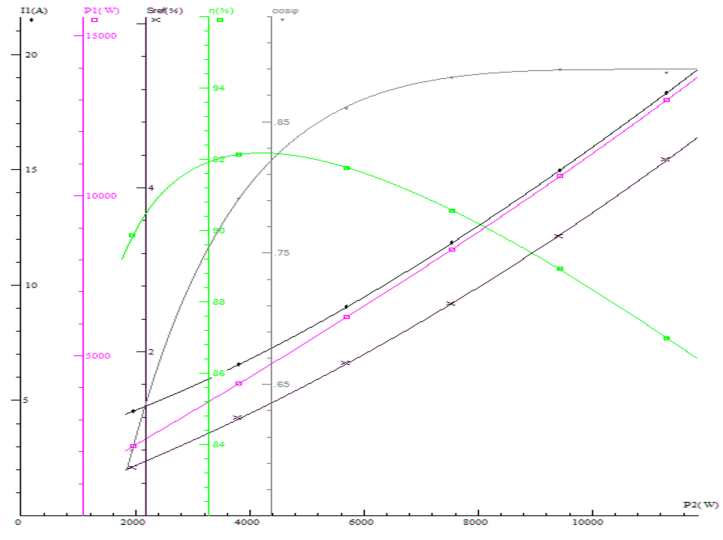
Hazardous Location	Class 1, Div 2, Grp A,B,C,D		
--------------------	-----------------------------	--	--

CT VFD Range	--	Loaded Torque Curves	--
P1 = INPUT POWER (KW), S = Slip (% of Sync RPM), η = Efficiency (%), cosφ = Power Factor			

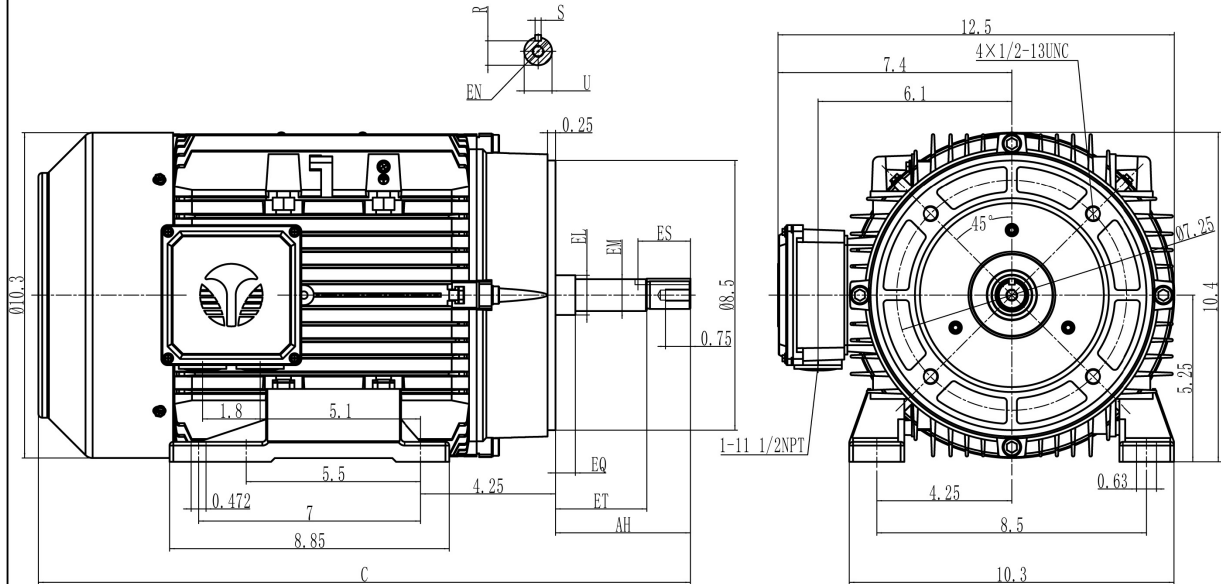
Certifications	UL	CSA	DOE
File Numbers	323353	224693	096A
Wiring Diagram	3PH 9 Lead Dual Voltage		

3 Phase - YY/Y - 9 Lead
 4,1 Blue / 5,2 White / 6,3 Org / 7 Yl / 8 Blk / 9 RD
 Cast Iron- 1,2,3 Top - 4,5,6,7,8,9 Bottom
 Aluminum - 4,5,6,8,9 Top - 1,2,3,7 Bottom

CONNECTIONS					
4	5	6	4	5	6
7	8	9	7	8	9
1	2	3	1	2	3
LOW VOLTAGE			HIGH VOLTAGE		



FRAME: | HP: | RPM: | PHASE: | VOLT: | ENCL: | FREQ: | FLA: | LRA:



MODEL	AH	EQ	ET	C	EL	EM	ES	ES	U	R	S
210JM	4.25	0.625	2.875	20.0	1.25	1.0	3/8-16UNC	1.65	0.8745	0.771	0.1875x0.1875x1.375
210JP	8.125	2.375	5.875	24.5	1.75	1.375	1/2-13UNC	2.50	1.2465	1.112	0.25x0.25x2.41



MODEL: NEMA210JM-1P
REV.DESC:

SCALE: 1:2.5
VERSION:

DATE:
REVISD:

UNITS:
BY:

WWW.TECHTOP.COM