



Model Number GR3-AL-TF-213JM-4-B-D-7.5-230|460-60

MFG PN TFC213T7.5U4B

List Price --

All data shown at HIGH voltage setting

Format | STD 3 Phase

Electrical Data		General Data	
Rated Motor Output Power	7.5 HP	Frame Size	213
Rated Motor Speed	1750 r/min	Enclosure	TEFC
Rated Motor Voltage (3 Phase)	230 460-60 Volts - HZ	Approximate Weight	156
Rated Motor Current	17.8/8.9 Amps	NEMA Design	BE
Service Factor	1.25	IP Rating	55
KVA Code	J	Insulation Class	F
Nominal Efficiency	91.7 %	Tropicalization	YES
Nominal Power Factor	0.86 cosθ	Duty	Cont.
Full Load Torque Ft-Lb	22.046864 Ft-Lb	Cable Entry	1.25
Temp Rise @ Full Load °C	37.3	Feet Removable	YES
Efficiency Level	IE3 - NEMA Premium	Double Drilled	NO

Load Data	RPM	Trq %FL	Current Amps	Mechanical Data	
Locked Rotor	-	230	76.01	Bearing DE Side	6308 ZZ
Breakdown	-	324	-	Bearing NDE Side	6308 ZZ
Pull Up	-	484	-	Moment of Inertia	kg.m2
125% of FL	1752	-	10.89	Noise Level	Per NEMA dB (A)
75% of FL	1773	-	6.8		
50% of FL	1782	-	5.11		
No Load		-	3.22		

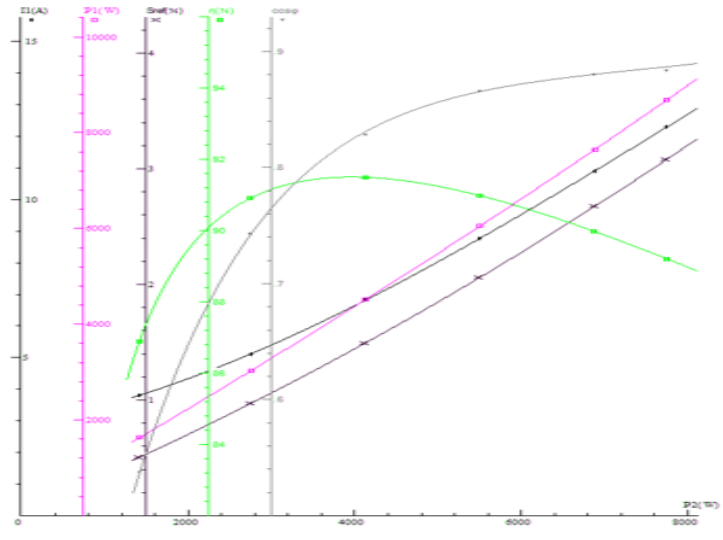
Hazardous Location	Class 1, Div 2, Grp A,B,C,D		Rated Ambient (°C)	40
--------------------	-----------------------------	--	--------------------	----

CT VFD Range	--	Loaded Torque Curves		--
$P_1 = \text{INPUT POWER (KW)}$, $S = \text{Slip (\% of Sync RPM)}$, $\eta = \text{Efficiency (\%)}$, $\cos\phi = \text{Power Factor}$				

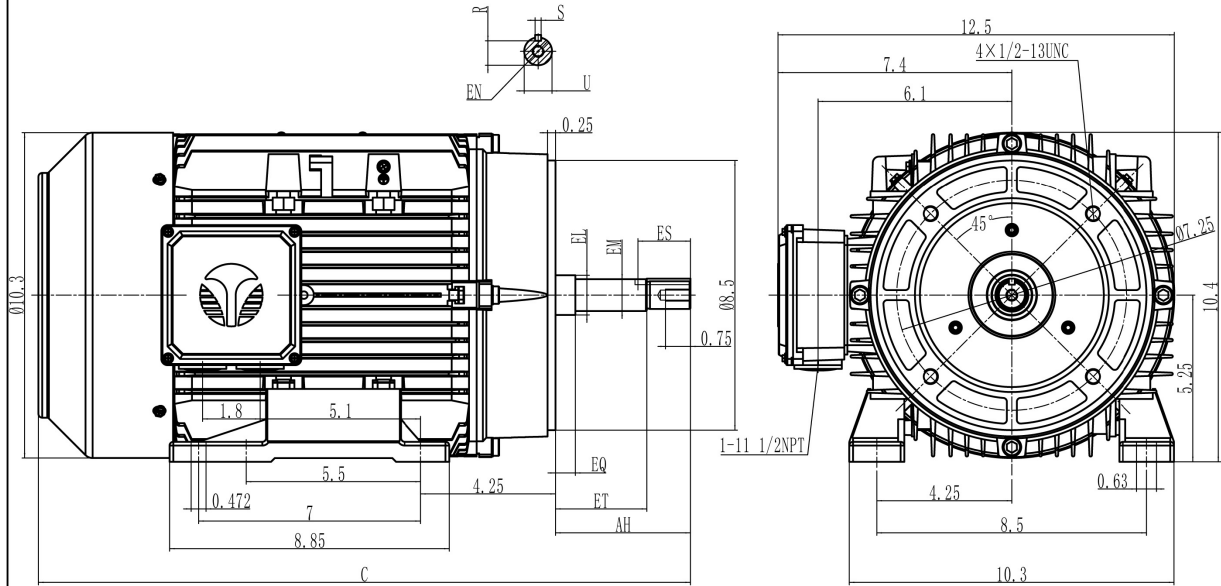
Certifications	UL	CSA	DOE
File Numbers	323353	224693	096A
Wiring Diagram	3PH 9 Lead Dual Voltage		

3 Phase - YY/Y - 9 Lead
 4,1 Blue / 5,2 White / 6,3 Org / 7 Yl / 8 Blk / 9 RD
 Cast Iron- 1,2,3 Top - 4,5,6,7,8,9 Bottom
 Aluminum - 4,5,6,8,9 Top - 1,2,3,7 Bottom

CONNECTIONS					
4	5	6	4	5	6
7	8	9	7	8	9
1	2	3	1	2	3
LOW VOLTAGE			HIGH VOLTAGE		



FRAME: HP: RPM: PHASE: VOLT: ENCL: FREQ: FLA: LRA:



MODEL	AH	FQ	ET	C	EL	EM	ES	ES	U	R	S
210JM	4.25	0.625	2.875	20.0	1.25	1.0	3/8-16UNC	1.65	0.8745	0.771	0.1875x0.1875x1.375
210JP	8.125	2.375	5.875	24.5	1.75	1.375	1/2-13UNC	2.50	1.2465	1.112	0.25x0.25x2.41



MODEL: NEMA210/JM-1P
REV.DESC:

SCALE: 1:2.5
VERSION:

DATE:

UNITS:

REVISID:

BY:

WWW.TECHTOP.COM