



Model Number GR3-AL-TF-213JM-2-B-D-7.5-230|460-60

MFG PN TFC213T7.5U2B

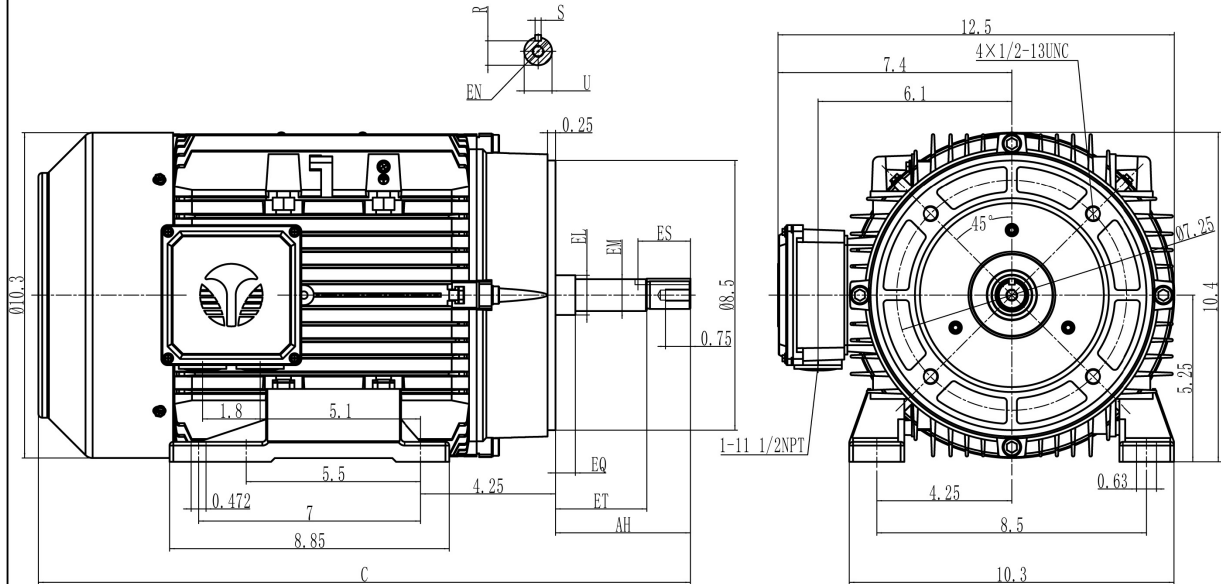
List Price --

All data shown at HIGH voltage setting

Format | STD 3 Phase

Electrical Data				General Data																							
Rated Motor Output Power	7.5 HP			Frame Size	213																						
Rated Motor Speed	3520 r/min			Enclosure	TEFC																						
Rated Motor Voltage (3 Phase)	230 460-60 Volts - HZ			Approximate Weight	132																						
Rated Motor Current	17.4/8.7 Amps			NEMA Design	A																						
Service Factor	1.25			IP Rating	55																						
KVA Code	J			Insulation Class	F																						
Nominal Efficiency	89.5 %			Tropicalization	YES																						
Nominal Power Factor	0.9 cosθ			Duty	Cont.																						
Full Load Torque Ft-Lb	10.982864 Ft-Lb			Cable Entry	1.25																						
Temp Rise @ Full Load °C	51.5			Feet Removable	YES																						
Efficiency Level	IE3 - NEMA Premium			Double Drilled	NO																						
Load Data	RPM	Trq %FL	Current Amps	Rated Ambient (°C)	40																						
Locked Rotor	-	213	73	Rated Altitude (M)	1000																						
Breakdown	-	319	-	Coating	7024 - Graphite Grey																						
Pull Up	-	127	-	Shaft Grounding	NO																						
125% of FL	3500	-	10.61	Brake Voltage (DC)																							
75% of FL	3544	-	6.4	Brake Torque (N-M)																							
50% of FL	3564	-	4.7	Mechanical Data																							
No Load	3586	-	2.34	Bearing DE Side	6308ZZ																						
Hazardous Location	Class 1, Div 2, Grp A,B,C,D			Bearing NDE Side	6308ZZ																						
				Moment of Inertia	kg.m2																						
				Noise Level	Per NEMA dB (A)																						
CT VFD Range		--		Loaded Torque Curves																							
				P1 = INPUT POWER (KW), S = Slip (% of Sync RPM), η = Efficiency (%), cosφ = Power Factor																							
Certifications	UL	CSA	DOE																								
File Numbers	323353	224693	096A																								
Wiring Diagram	3PH 9 Lead Dual Voltage																										
<p>3 Phase - YY/Y - 9 Lead 4,1 Blue / 5,2 White / 6,3 Org / 7 Yl / 8 Blk / 9 RD Cast Iron- 1,2,3 Top - 4,5,6,7,8,9 Bottom Aluminum - 4,5,6,8,9 Top - 1,2,3,7 Bottom</p> <p>CONNECTIONS</p> <table border="1"> <tr> <td>4</td><td>5</td><td>6</td> <td>4</td><td>5</td><td>6</td> </tr> <tr> <td>7</td><td>8</td><td>9</td> <td>7</td><td>8</td><td>9</td> </tr> <tr> <td>1</td><td>2</td><td>3</td> <td>1</td><td>2</td><td>3</td> </tr> <tr> <td colspan="3">LOW VOLTAGE</td> <td colspan="3">HIGH VOLTAGE</td> </tr> </table>						4	5	6	4	5	6	7	8	9	7	8	9	1	2	3	1	2	3	LOW VOLTAGE			HIGH VOLTAGE
4	5	6	4	5	6																						
7	8	9	7	8	9																						
1	2	3	1	2	3																						
LOW VOLTAGE			HIGH VOLTAGE																								

FRAME: | HP: | RPM: | PHASE: | VOLT: | ENCL: | FREQ: | FLA: | LRA:



MODEL	AH	FQ	ET	C	EL	EM	ES	ES	U	R	S
210JM	4.25	0.625	2.875	20.0	1.25	1.0	3/8-16UNC	1.65	0.8745	0.771	0.1875x0.1875x1.375
210JP	8.125	2.375	5.875	24.5	1.75	1.375	1/2-13UNC	2.50	1.2465	1.112	0.25x0.25x2.41



MODEL: NEMA210/JM-1P
REV.DESC:

SCALE: 1:2.5
VERSION:

DATE:

UNITS:

REVISIONS:

BY:

WWW.TECHTOP.COM