



| | |
|---------------------|------------------------------------|
| Model Number | GR3-AL-TF-184JP-4-B-D-5-230 460-60 |
| MFG PN | TFC184T5U4B |
| List Price | -- |

All data shown at HIGH voltage setting

Format STD 3 Phase

| Electrical Data | | General Data | |
|-------------------------------|-----------------------|--------------------|-------|
| Rated Motor Output Power | 5 HP | Frame Size | 184 |
| Rated Motor Speed | 1750 r/min | Enclosure | TEFC |
| Rated Motor Voltage (3 Phase) | 230 460-60 Volts - HZ | Approximate Weight | 110 |
| Rated Motor Current | 12.6/6.3 Amps | NEMA Design | BE |
| Service Factor | 1.25 | IP Rating | 55 |
| KVA Code | K | Insulation Class | F |
| Nominal Efficiency | 89.5 % | Tropicalization | YES |
| Nominal Power Factor | 0.83 cosθ | Duty | Cont. |
| Full Load Torque Ft-Lb | 14.965904 Ft-Lb | Cable Entry | 1.25 |
| Temp Rise @ Full Load °C | 52.4 | Feet Removable | YES |
| Efficiency Level | IE3 - NEMA Premium | Double Drilled | NO |

| Load Data | RPM | Trq %FL | Current Amps | Mechanical Data | |
|--------------|------|---------|--------------|-------------------|-----------------|
| Locked Rotor | - | 253 | 53 | Bearing DE Side | 6306 ZZ |
| Breakdown | - | 362 | - | Bearing NDE Side | 6306 ZZ |
| Pull Up | - | 225 | - | Moment of Inertia | kg.m2 |
| 125% of FL | 1734 | - | 7.5 | Noise Level | Per NEMA dB (A) |
| 75% of FL | 1765 | - | 4.9 | | |
| 50% of FL | 1777 | - | 3.92 | | |
| No Load | 1797 | - | 2.89 | | |

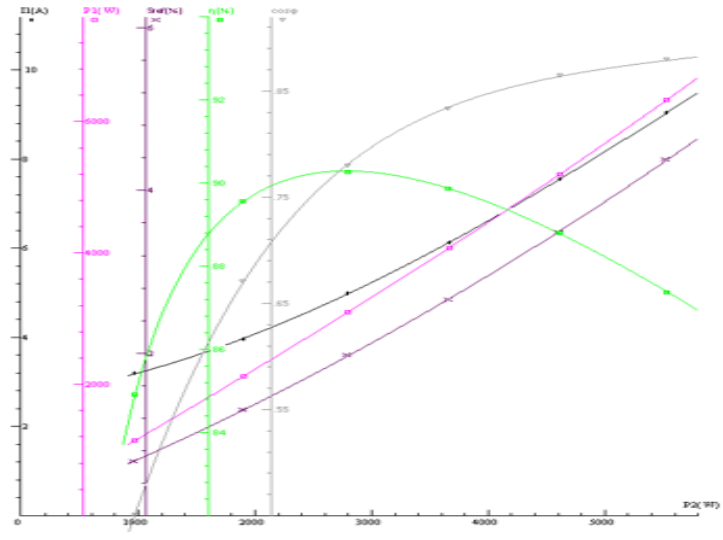
| | | | | | | |
|--------------------|-----------------------------|--|--|----------------------|--|----|
| Hazardous Location | Class 1, Div 2, Grp A,B,C,D | | | Loaded Torque Curves | | -- |
|--------------------|-----------------------------|--|--|----------------------|--|----|

| | | | | | |
|--------------|----|---|--|--|--|
| CT VFD Range | -- | P1 = INPUT POWER (KW), S = Slip (% of Sync RPM), η = Efficiency (%), cosφ = Power Factor | | | |
|--------------|----|---|--|--|--|

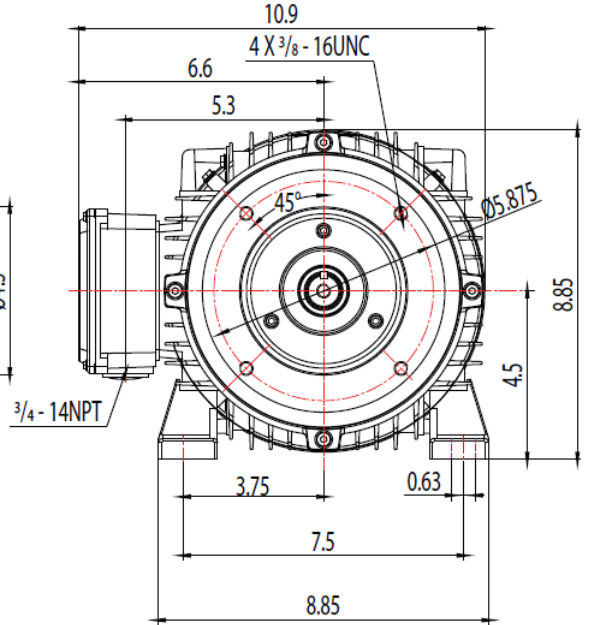
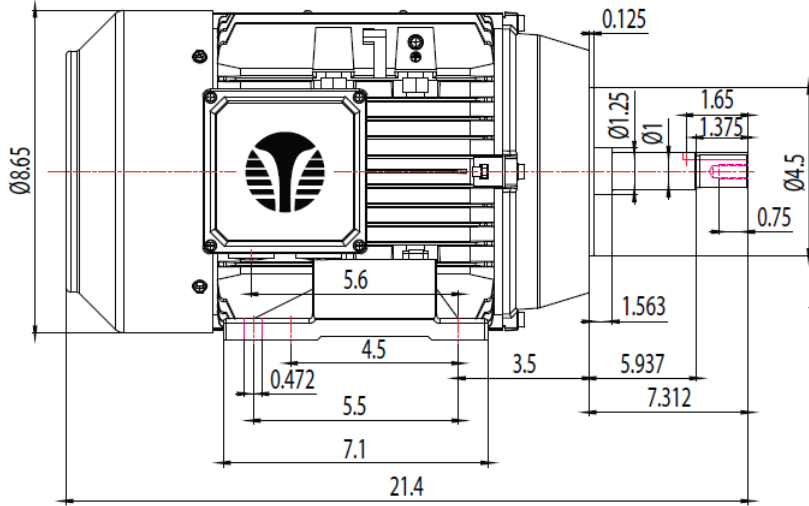
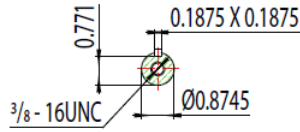
| | | | |
|----------------|-------------------------|--------|------|
| Certifications | UL | CSA | DOE |
| File Numbers | 323353 | 224693 | 096A |
| Wiring Diagram | 3PH 9 Lead Dual Voltage | | |

3 Phase - YY/Y - 9 Lead
 4,1 Blue / 5,2 White / 6,3 Org / 7 Yl / 8 Blk / 9 RD
 Cast Iron- 1,2,3 Top - 4,5,6,7,8,9 Bottom
 Aluminum - 4,5,6,8,9 Top - 1,2,3,7 Bottom

| CONNECTIONS | | | | | |
|-------------|---|---|--------------|---|---|
| 4 | 5 | 6 | 4 | 5 | 6 |
| 7 | 8 | 9 | 7 | 8 | 9 |
| 1 | 2 | 3 | 1 | 2 | 3 |
| LOW VOLTAGE | | | HIGH VOLTAGE | | |



FRAME: 184JP HP: RPM: PHASE: 3 VOLT: 115/208-230V ENCL: TEFC FREQ: 60 Hz FLA: LRA:



TECHTOP
MATERIAL: ALUMINUM
UNITS: INCH BY: SSEE
DRAWN: 6/11/2018
WWW.TECHTOP.COM

MODEL NUMBER:
GR3-AL-TF-184JP
MFG PN:

| REV. | BY | DATE |
|------|----|------|
| 1 | | |
| 2 | | |
| 3 | | |
| 4 | | |
| 5 | | |
| 6 | | |
| 7 | | |

CHANGES