



<b>Model Number</b>	GR3-AL-TF-182JP-4-B-D-3-230 460-60
<b>MFG PN</b>	TFC182T3U4B
<b>List Price</b>	--

All data shown at HIGH voltage setting

Format | STD 3 Phase

Electrical Data		General Data	
Rated Motor Output Power	3 HP	Frame Size	182
Rated Motor Speed	1750 r/min	Enclosure	TEFC
Rated Motor Voltage (3 Phase)	230 460-60 Volts - HZ	Approximate Weight	94.6
Rated Motor Current	7.6/3.8 Amps	NEMA Design	BE
Service Factor	1.25	IP Rating	55
KVA Code	L	Insulation Class	F
Nominal Efficiency	89.5 %	Tropicalization	YES
Nominal Power Factor	0.79 cosθ	Duty	Cont.
Full Load Torque Ft-Lb	8.8512 Ft-Lb	Cable Entry	1.25
Temp Rise @ Full Load °C	24.7	Feet Removable	YES
Efficiency Level	IE3 - NEMA Premium	Double Drilled	NO

Load Data	RPM	Trq %FL	Current Amps	Mechanical Data	
Locked Rotor	-	252	31.28	Bearing DE Side	6306 ZZ
Breakdown	-	334	-	Bearing NDE Side	6306 ZZ
Pull Up	-	209	-	Moment of Inertia	kg.m2
125% of FL	1742	-	4.5	Noise Level	Per NEMA dB (A)
75% of FL	1767	-	2.98		
50% of FL	1779	-	2.36		
No Load		-	1.733		

Hazardous Location	Class 1, Div 2, Grp A,B,C,D		Rated Ambient (°C)	40
--------------------	-----------------------------	--	--------------------	----

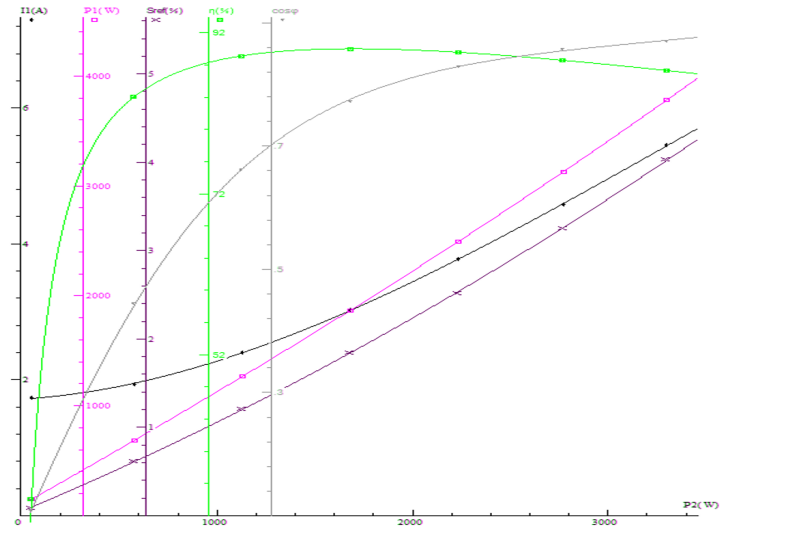
CT VFD Range	--	<b>Loaded Torque Curves</b>		--
$P_1 = \text{INPUT POWER (KW)}$ , $S = \text{Slip (\% of Sync RPM)}$ , $\eta = \text{Efficiency (\%)}$ , $\cos\phi = \text{Power Factor}$				

Certifications	UL	CSA	DOE
File Numbers	323353	224693	096A

**Wiring Diagram** 3PH 9 Lead Dual Voltage

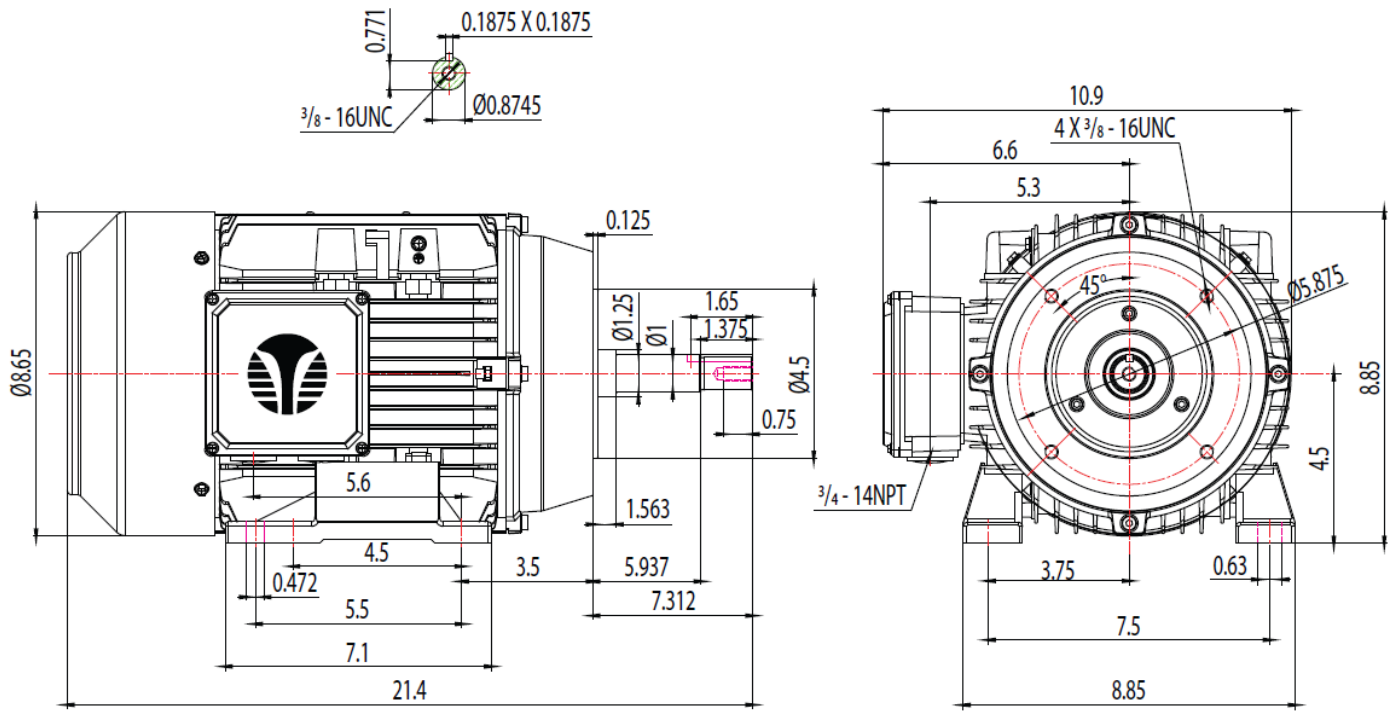
**3 Phase - YY/Y - 9 Lead**  
 4,1 Blue / 5,2 White / 6,3 Org / 7 Yl / 8 Blk / 9 RD  
 Cast Iron- 1,2,3 Top - 4,5,6,7,8,9 Bottom  
 Aluminum - 4,5,6,8,9 Top - 1,2,3,7 Bottom

CONNECTIONS					
4	5	6	4	5	6
7	8	9	7	8	9
1	2	3	1	2	3
LOW VOLTAGE			HIGH VOLTAGE		



Model Number	GR3-AL-TF-182JP-4-B-D-3-230 460-60
MFG PN	TFC182T3U4B
List Price	--
Base Frame	GR-182JP-AL-TF

FRAME: 182JP	HP:	RPM:	PHASE: 3	VOLT: 115/208-230V	ENCL: TEFC	FREQ: 60 Hz	FLA:	LRA:
--------------	-----	------	----------	--------------------	------------	-------------	------	------



MODEL NUMBER:	REV.	BY	DATE	CHANGES
GR3-AL-TF-182JP	1			
MFG PN:	2			
	3			
	4			
	5			
	6			
	7			