



Model Number	GR3-AL-TF-182JP-2-B-D-3-230 460-60
MFG PN	TFC182T3U2B
List Price	--

All data shown at HIGH voltage setting

Format | STD 3 Phase

Electrical Data		General Data	
Rated Motor Output Power	3 HP	Frame Size	182
Rated Motor Speed	3510 r/min	Enclosure	TEFC
Rated Motor Voltage (3 Phase)	230 460-60 Volts - HZ	Approximate Weight	82.5
Rated Motor Current	7.2 3.6 Amps	NEMA Design	B
Service Factor	1.25	IP Rating	55
KVA Code	K	Insulation Class	F
Nominal Efficiency	86.5 %	Tropicalization	YES
Nominal Power Factor	0.9 cosθ	Duty	Cont.
Full Load Torque Ft-Lb	4.403472 Ft-Lb	Cable Entry	1.25
Temp Rise @ Full Load °C	38.2	Feet Removable	YES
Efficiency Level	IE3 - NEMA Premium	Double Drilled	NO

Load Data	RPM	Trq %FL	Current Amps	Mechanical Data	
Locked Rotor	-	462	29.92	Bearing DE Side	6306 ZZ
Breakdown	-	328	-	Bearing NDE Side	6306 ZZ
Pull Up	-	169	-	Moment of Inertia	kg.m2
125% of FL	3491	-	4.36	Noise Level	Per NEMA dB (A)
75% of FL	3539	-	2.74		
50% of FL	3560	-	2		
No Load	3559	-	1.25		

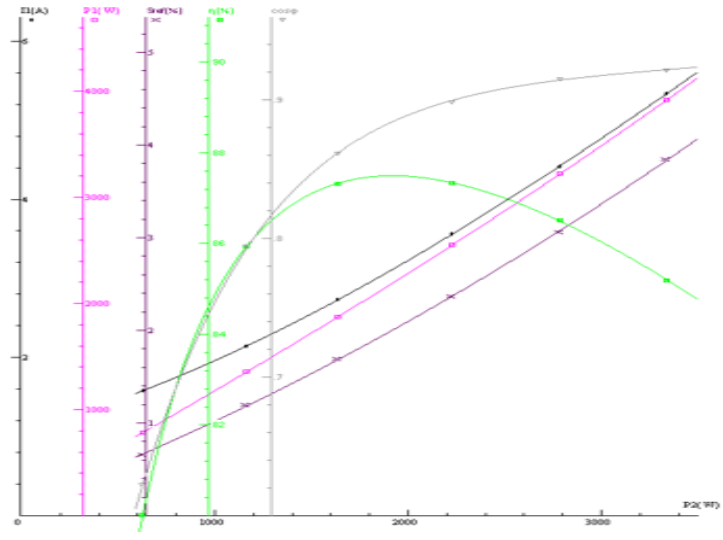
Hazardous Location	Class 1, Div 2, Grp A,B,C,D		
--------------------	-----------------------------	--	--

CT VFD Range	--	Loaded Torque Curves	--
P1 = INPUT POWER (KW), S = Slip (% of Sync RPM), η = Efficiency (%), cosφ = Power Factor			

Certifications	UL	CSA	DOE
File Numbers	323353	224693	096A
Wiring Diagram	3PH 9 Lead Dual Voltage		

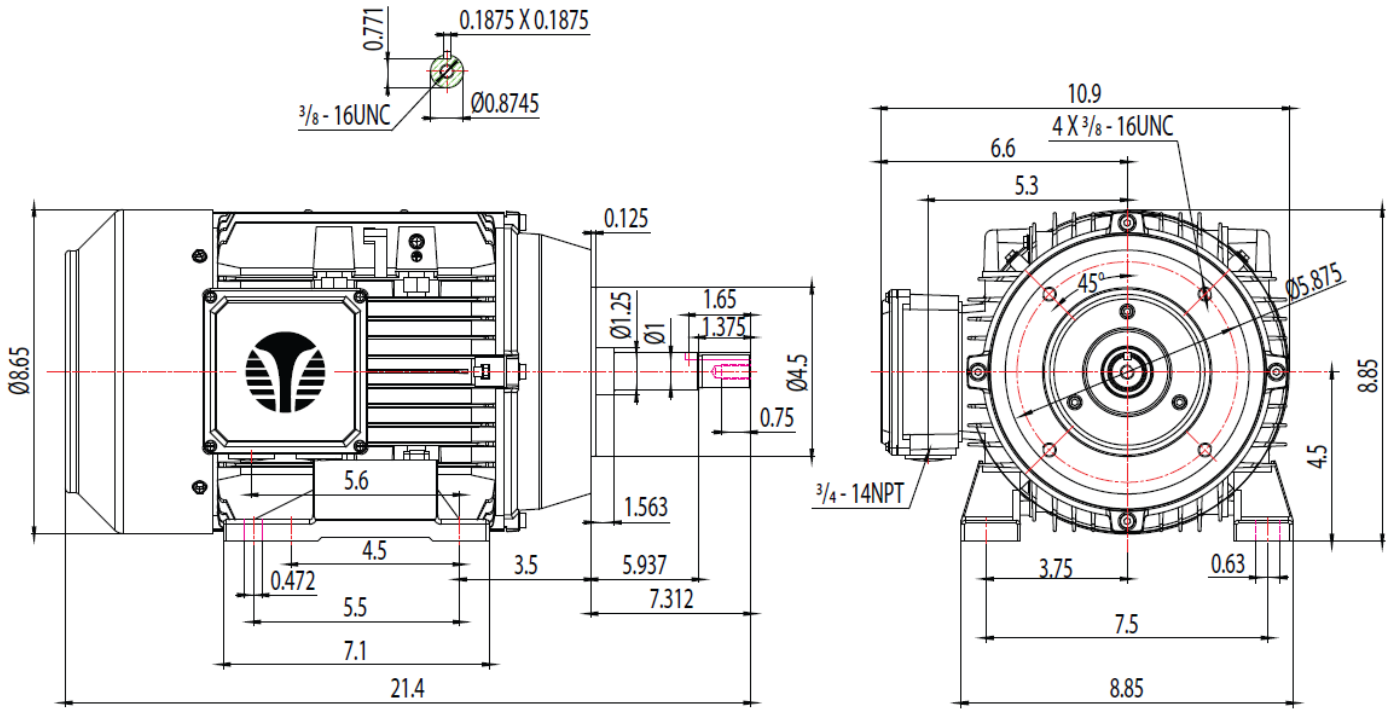
3 Phase - YY/Y - 9 Lead
 4,1 Blue / 5,2 White / 6,3 Org / 7 Yl / 8 Blk / 9 RD
 Cast Iron- 1,2,3 Top - 4,5,6,7,8,9 Bottom
 Aluminum - 4,5,6,8,9 Top - 1,2,3,7 Bottom

CONNECTIONS					
4	5	6	4	5	6
7	8	9	7	8	9
1	2	3	1	2	3
LOW VOLTAGE			HIGH VOLTAGE		



Model Number	GR3-AL-TF-182JP-2-B-D-3-230 460-60
MFG PN	TFC182T3U2B
List Price	--
Base Frame	GR-182JP-AL-TF

FRAME: 182JP	HP:	RPM:	PHASE: 3	VOLT: 115/208-230V	ENCL: TEFC	FREQ: 60 Hz	FLA:	LRA:
--------------	-----	------	----------	--------------------	------------	-------------	------	------



MODEL NUMBER:	REV.	BY	DATE	CHANGES
GR3-AL-TF-182JP	1			
MFG PN:	2			
	3			
	4			
	5			
	6			
	7			