



**Model Number** GR3-AL-TF-182JM-4-B-D-3-230|460-60

**MFG PN** TFC182T3U4B

**List Price** --

All data shown at HIGH voltage setting

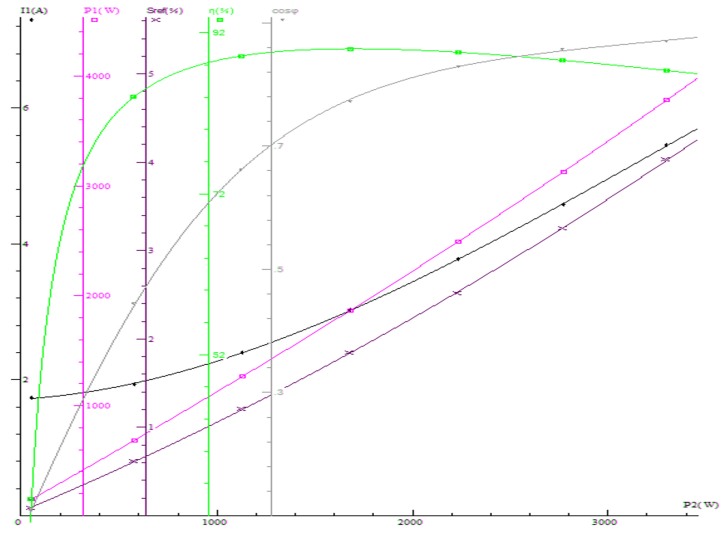
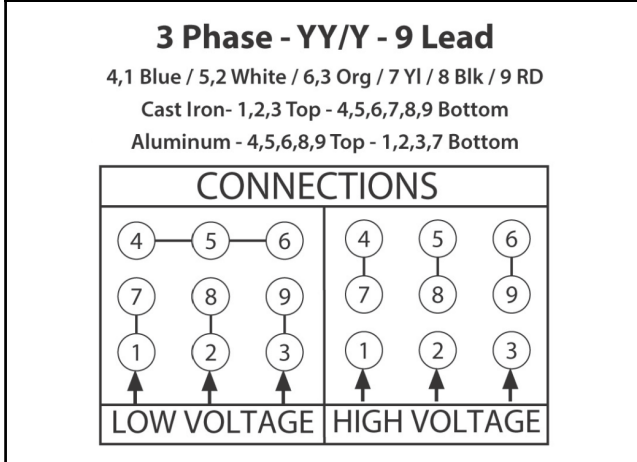
Format | STD 3 Phase

Electrical Data		General Data	
Rated Motor Output Power	3 HP	Frame Size	182
Rated Motor Speed	1750 r/min	Enclosure	TEFC
Rated Motor Voltage (3 Phase)	230 460-60 Volts - HZ	Approximate Weight	94.6
Rated Motor Current	7.6/3.8 Amps	NEMA Design	BE
Service Factor	1.25	IP Rating	55
KVA Code	L	Insulation Class	F
Nominal Efficiency	89.5 %	Tropicalization	YES
Nominal Power Factor	0.79 cosθ	Duty	Cont.
Full Load Torque Ft-Lb	8.8512 Ft-Lb	Cable Entry	1.25
Temp Rise @ Full Load °C	24.7	Feet Removable	YES
Efficiency Level	IE3 - NEMA Premium	Double Drilled	NO

Load Data	RPM	Trq %FL	Current Amps	Mechanical Data	
Locked Rotor	-	252	31.28	Bearing DE Side	6306 ZZ
Breakdown	-	334	-	Bearing NDE Side	6306 ZZ
Pull Up	-	209	-	Moment of Inertia	kg.m2
125% of FL	1742	-	4.5	Noise Level	Per NEMA dB (A)
75% of FL	1767	-	2.98		
50% of FL	1779	-	2.36		
No Load		-	1.733		

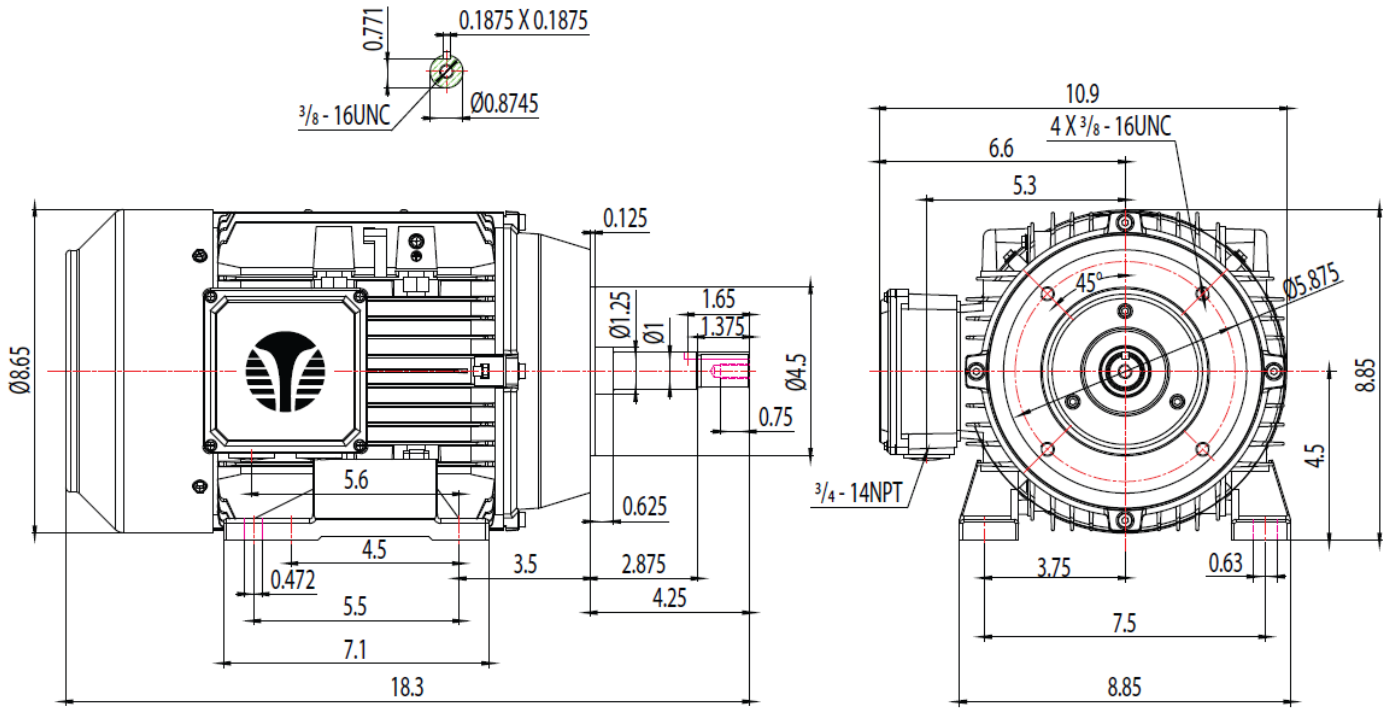
Hazardous Location	Class 1, Div 2, Grp A,B,C,D			Loaded Torque Curves		--		
				$P_1 = \text{INPUT POWER (KW)}$ , $S = \text{Slip (\% of Sync RPM)}$ , $\eta = \text{Efficiency (\%)}$ , $\cos\phi = \text{Power Factor}$				
				CT VFD Range		--		

Certifications	UL	CSA	DOE
File Numbers	323353	224693	096A
Wiring Diagram	3PH 9 Lead Dual Voltage		



Model Number	GR3-AL-TF-182JM-4-B-D-3-230 460-60
MFG PN	TFC182T3U4B
List Price	--
Base Frame	GR-182JM-AL-TF

FRAME: 182JM    HP:    RPM:    PHASE: 3    VOLT: 115/208-230V    ENCL: TEFC    FREQ: 60 Hz    FLA:    LRA:



REV.	BY	DATE
1		
2		
3		
4		
5		
6		
7		