



Model Number	GR3-AL-TF-145JP-2-B-D-2-230 460-60
MFG PN	TFC145T2U2B
List Price	--

All data shown at HIGH voltage setting

Format | STD 3 Phase

Electrical Data		General Data	
Rated Motor Output Power	2 HP	Frame Size	145
Rated Motor Speed	3500 r/min	Enclosure	TEFC
Rated Motor Voltage (3 Phase)	230 460-60 Volts - HZ	Approximate Weight	48.4
Rated Motor Current	5.2/2.6 Amps	NEMA Design	B
Service Factor	1.25	IP Rating	55
KVA Code		Insulation Class	F
Nominal Efficiency	84 %	Tropicalization	YES
Nominal Power Factor	0.84 cosθ	Duty	Cont.
Full Load Torque Ft-Lb	3.02416 Ft-Lb	Cable Entry	1.25
Temp Rise @ Full Load °C	47.4	Feet Removable	YES
Efficiency Level	IE3 - NEMA Premium	Double Drilled	NO

Load Data	RPM	Trq %FL	Current Amps	Mechanical Data	
Locked Rotor	-	283	23.6	Bearing DE Side	6205ZZ
Breakdown	-	362	-	Bearing NDE Side	6205ZZ
Pull Up	-	169	-	Moment of Inertia	kg.m2
125% of FL	3481	-	3.13	Noise Level	Per NEMA dB (A)
75% of FL	3534	-	2		
50% of FL	3556	-	1.68		
No Load	3591	-	1.26		

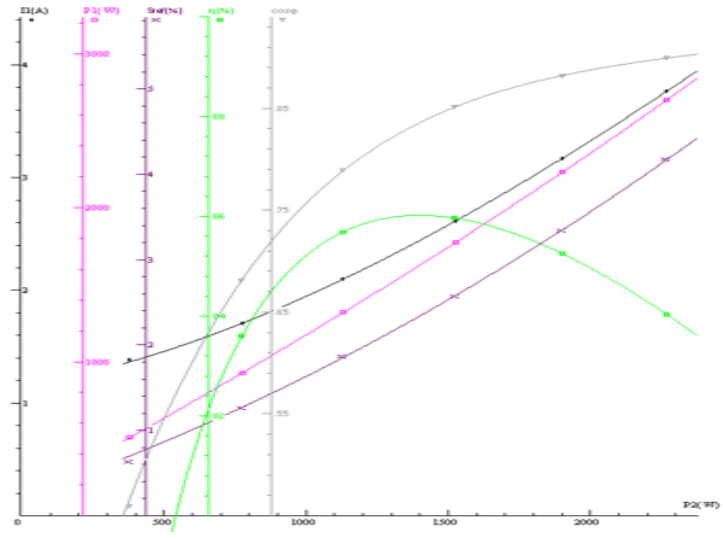
Hazardous Location	Class 1, Div 2, Grp A,B,C,D			Loaded Torque Curves		--
--------------------	-----------------------------	--	--	----------------------	--	----

CT VFD Range	--	P1 = INPUT POWER (KW), S = Slip (% of Sync RPM), η = Efficiency (%), cosφ = Power Factor			
--------------	----	---	--	--	--

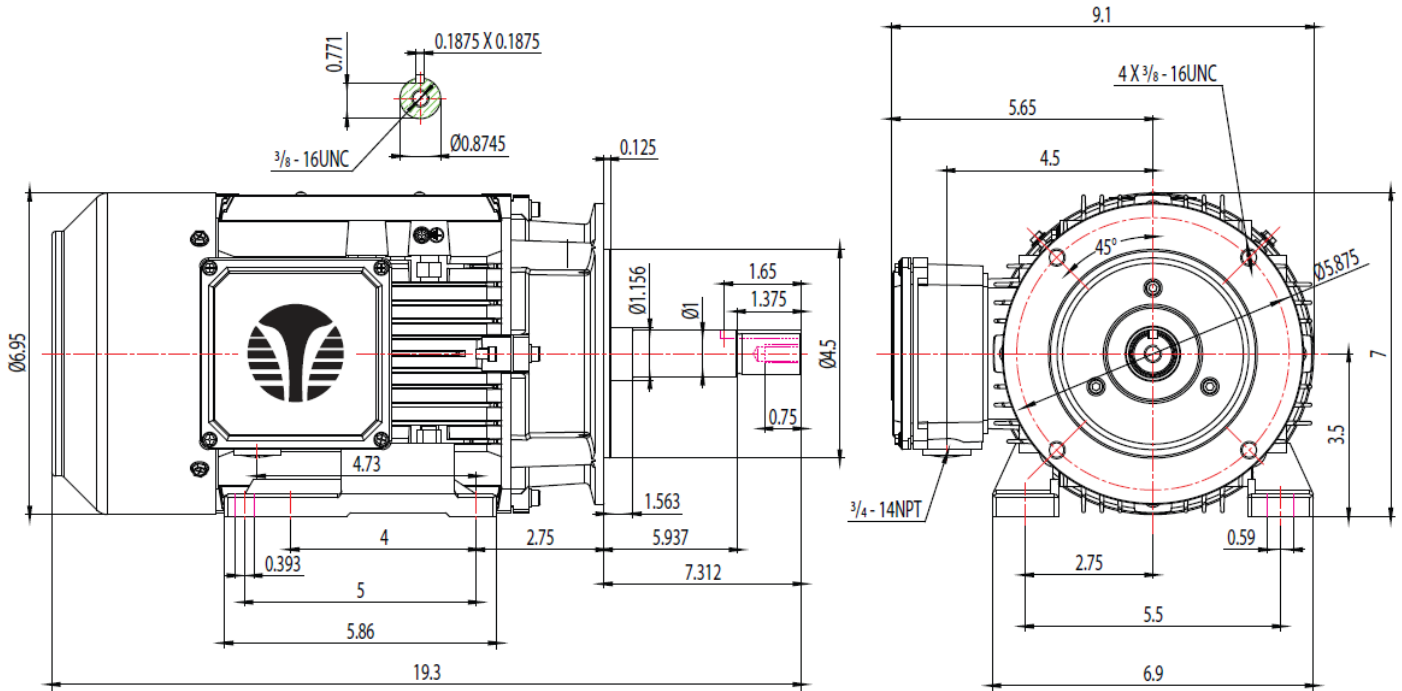
Certifications	UL	CSA	DOE
File Numbers	323353	224693	096A
Wiring Diagram	3PH 9 Lead Dual Voltage		

3 Phase - YY/Y - 9 Lead
 4,1 Blue / 5,2 White / 6,3 Org / 7 Yl / 8 Blk / 9 RD
 Cast Iron- 1,2,3 Top - 4,5,6,7,8,9 Bottom
 Aluminum - 4,5,6,8,9 Top - 1,2,3,7 Bottom

CONNECTIONS					
4	5	6	4	5	6
7	8	9	7	8	9
1	2	3	1	2	3
LOW VOLTAGE			HIGH VOLTAGE		



FRAME: 145JP	HP:	RPM:	PHASE: 3	VOLT: 115/208-230V	ENCL: TEFC	FREQ: 60 Hz	FLA:	LRA:
--------------	-----	------	----------	--------------------	------------	-------------	------	------



TECHTOP
 MATERIAL: ALUMINUM
 UNITS: INCH BY: SSEE
 DRAWN: 6/11/2018
 WWW.TECHTOP.COM

MODEL NUMBER:
 GR3-AL-TF-145JP
 MFG PN:

REV.	BY	DATE
1		
2		
3		
4		
5		
6		
7		

CHANGES