



**Model Number** GR3-AL-TF-145JM-4-B-D-1.5-230|460-60

**MFG PN** TFC145T1.5U4B

**List Price** --

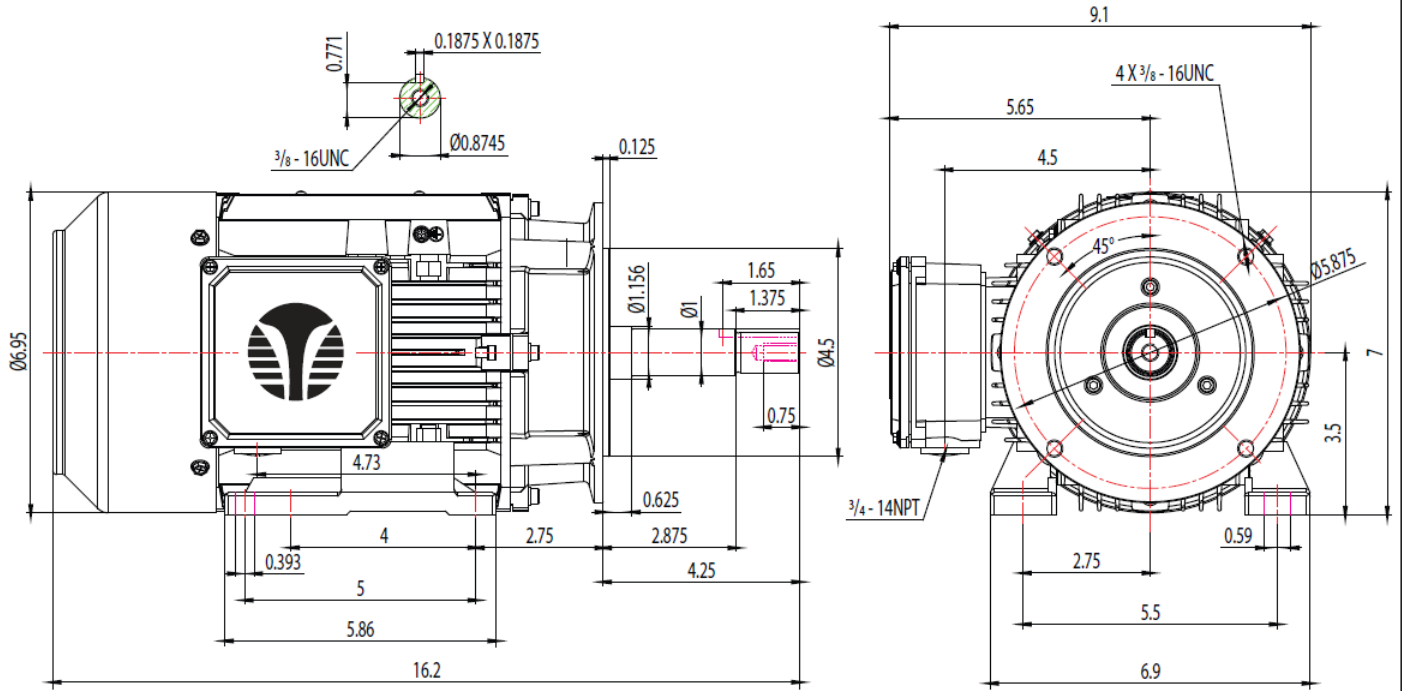
All data shown at HIGH voltage setting

Format | STD 3 Phase

| Electrical Data  |                             |         |              | General Data   |                      |
|--|-----------------------------|---------|--------------|--|----------------------|
| Rated Motor Output Power   | 1.5 HP                      |         |              | Frame Size   | 145                  |
| Rated Motor Speed  | 1740 r/min                  |         |              | Enclosure  | TEFC                 |
| Rated Motor Voltage (3 Phase)  | 230 460-60 Volts - HZ       |         |              | Approximate Weight   | 47.52                |
| Rated Motor Current  | 4.4/2.2 Amps                |         |              | NEMA Design  | B                    |
| Service Factor   | 1.25                        |         |              | IP Rating  | 55                   |
| KVA Code   | L                           |         |              | Insulation Class   | F                    |
| Nominal Efficiency   | 86.5 %                      |         |              | Tropicalization  | YES                  |
| Nominal Power Factor   | 0.75 cosθ                   |         |              | Duty   | Cont.                |
| Full Load Torque Ft-Lb   | 4.4256 Ft-Lb                |         |              | Cable Entry  | 1.25                 |
| Temp Rise @ Full Load °C   | 36.8                        |         |              | Feet Removable   | YES                  |
| Efficiency Level   | IE3 - NEMA Premium          |         |              | Double Drilled   | NO                   |
| Load Data  | RPM                         | Trq %FL | Current Amps | Rated Ambient (°C)   | 40                   |
| Locked Rotor   | -                           | 311     | 16.74        | Rated Altitude (M)   | 1000                 |
| Breakdown  | -                           | 351     | -            | Coating  | 7024 - Graphite Grey |
| Pull Up  | -                           | 216     | -            | Shaft Grounding  | NO                   |
| 125% of FL   | 1732                        | -       | 2.5          | Brake Voltage (DC)   |                      |
| 75% of FL  | 1762                        | -       | 1.75         | Brake Torque (N-M)   |                      |
| 50% of FL  | 1775                        | -       | 1.47         | Mechanical Data  |                      |
| No Load  | 1796                        | -       | 1.19         | Bearing DE Side  | 6205ZZ               |
| Hazardous Location   | Class 1, Div 2, Grp A,B,C,D |         |              | Bearing NDE Side   | 6205ZZ               |
|  |                             |         |              | Moment of Inertia  | kg.m2                |
|  |                             |         |              | Noise Level  | Per NEMA dB (A)      |
| CT VFD Range   |                             | --      |              | Loaded Torque Curves   |                      |
|  |                             |         |              | P1 = INPUT POWER (KW), S = Slip (% of Sync RPM), η = Efficiency (%), cosφ = Power Factor |                      |
| Certifications   | UL                          | CSA     | DOE          |  |                      |
| File Numbers   | 323353                      | 224693  | 096A         |  |                      |
| Wiring Diagram   | 3PH 9 Lead Dual Voltage     |         |              |  |                      |
| <b>3 Phase - YY/Y - 9 Lead</b><br>4,1 Blue / 5,2 White / 6,3 Org / 7 Yl / 8 Blk / 9 RD<br>Cast Iron- 1,2,3 Top - 4,5,6,7,8,9 Bottom<br>Aluminum - 4,5,6,8,9 Top - 1,2,3,7 Bottom |                             |         |              |  |                      |
| <b>CONNECTIONS</b><br>   |                             |         |              |  |                      |

|              |                                      |
|--------------|--------------------------------------|
| Model Number | GR3-AL-TF-145JM-4-B-D-1.5-230 460-60 |
| MFG PN       | TFC145T1.5U4B                        |
| List Price   | --                                   |
| Base Frame   | GR-145JM-AL-TF                       |

FRAME: 145JM    HP:    RPM:    PHASE: 3    VOLT: 115/208-230V    ENCL: TEFC    FREQ: 60 Hz    FLA:    LRA:



**TECHTOP**  
MATERIAL: ALUMINUM  
UNITS: INCH    BY: SSEE  
DRAWN: 6/11/2018  
WWW.TECHTOP.COM

MODEL NUMBER:  
GR3-AL-TF-145JM  
MFG PN:

| REV. | BY | DATE |
|------|----|------|
| 1    |    |      |
| 2    |    |      |
| 3    |    |      |
| 4    |    |      |
| 5    |    |      |
| 6    |    |      |
| 7    |    |      |

CHANGES