



Model Number GR3-AL-TF-143JM-2-B-D-1.5-230|460-60

MFG PN T143T1.5U2B

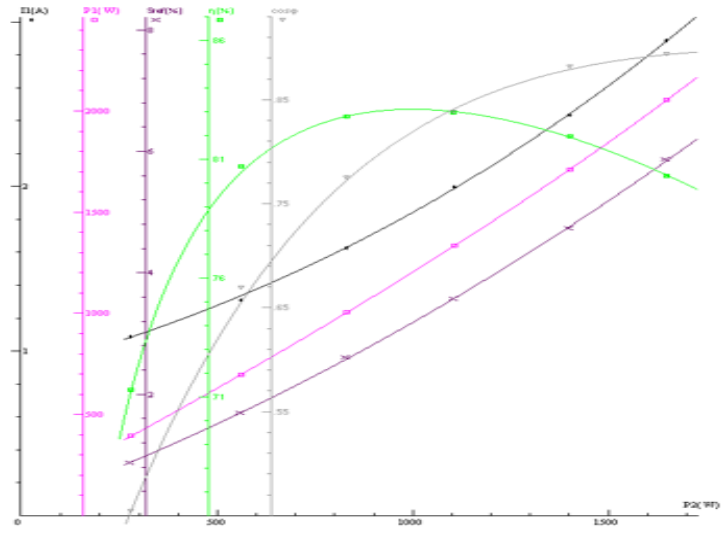
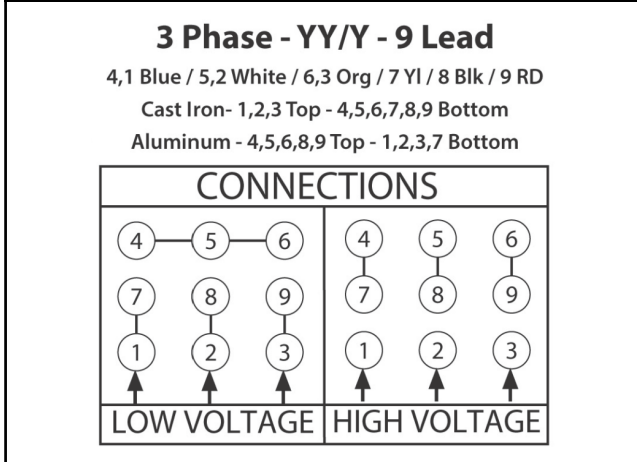
List Price --

All data shown at HIGH voltage setting

Format STD 3 Phase

Electrical Data				General Data	
Rated Motor Output Power	1.5 HP			Frame Size	143
Rated Motor Speed	3500 r/min			Enclosure	TEFC
Rated Motor Voltage (3 Phase)	230 460-60 Volts - HZ			Approximate Weight	41.8
Rated Motor Current	4.12/2.06 Amps			NEMA Design	B
Service Factor	1.25			IP Rating	55
KVA Code	K			Insulation Class	F
Nominal Efficiency	84 %			Tropicalization	YES
Nominal Power Factor	0.84 cosθ			Duty	Cont.
Full Load Torque Ft-Lb	2.227552 Ft-Lb			Cable Entry	1.25
Temp Rise @ Full Load °C	45.4			Feet Removable	YES
Efficiency Level	IE3 - NEMA Premium			Double Drilled	NO
Load Data	RPM	Trq %FL	Current Amps	Rated Ambient (°C)	40
Locked Rotor	-	312	15.73	Rated Altitude (M)	1000
Breakdown	-	346	-	Coating	7024 - Graphite Grey
Pull Up	-	--	-	Shaft Grounding	NO
125% of FL	3432	-	2.39	Brake Voltage (DC)	--
75% of FL	3508	-	1.62	Brake Torque (N-M)	--
50% of FL	3540	-	1.32	Mechanical Data	
No Load	--	-	1	Bearing DE Side	6205ZZ
Hazardous Location	Class 1, Div 2, Grp A,B,C,D			Bearing NDE Side	6205ZZ
				Moment of Inertia	-- kg.m2
				Noise Level	Per NEMA dB (A)
CT VFD Range		--		Loaded Torque Curves	
<p>P1 = INPUT POWER (KW), S = Slip (% of Sync RPM), η = Efficiency (%), cosφ = Power Factor</p>					

Certifications	UL	CSA	DOE
File Numbers	323353	224693	096A
Wiring Diagram	3PH 9 Lead Dual Voltage		



FRAME: 143JM	HP:	RPM:	PHASE: 3	VOLT: 115/208-230V	ENCL: TEFC	FREQ: 60 Hz	FLA:	LRA:
--------------	-----	------	----------	--------------------	------------	-------------	------	------

