



**Model Number** GR3-AL-TF-112MB34-4-B-D-5.5-230|460-60

**MFG PN** T112M-4

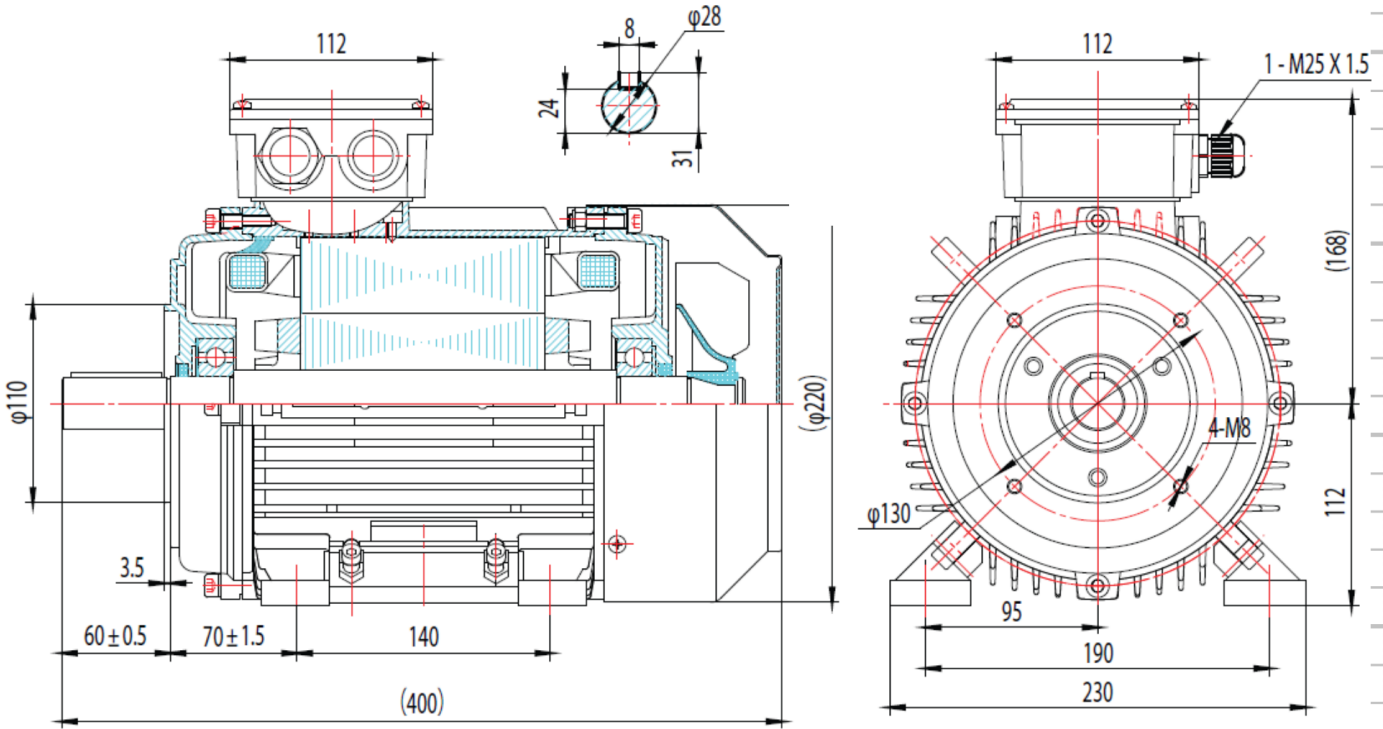
**List Price** --

All data shown at HIGH voltage setting

Format STD 3 Phase

Electrical Data				General Data	
Rated Motor Output Power	5.5 HP			Frame Size	112
Rated Motor Speed	1750 r/min			Enclosure	TEFC
Rated Motor Voltage (3 Phase)	230 460-60 Volts - HZ			Approximate Weight	--
Rated Motor Current	13.2 6.60 Amps			NEMA Design	A
Service Factor	1.15			IP Rating	55
KVA Code	K			Insulation Class	F
Nominal Efficiency	89.5 %			Tropicalization	YES
Nominal Power Factor	0.85 cosθ			Duty	Cont.
Full Load Torque Ft-Lb	16.27 Ft-Lb			Cable Entry	M25 X 1.5
Temp Rise @ Full Load °C	44.5			Feet Removable	YES
Efficiency Level	IE3 - NEMA Premium			Double Drilled	NO
Load Data	RPM	Trq %FL	Current Amps	Rated Ambient (°C)	40
Locked Rotor	-	277	58.36	Rated Altitude (M)	1000
Breakdown	-	342	-	Coating	7024 - Graphite Grey
Pull Up	-	397	-	Shaft Grounding	NO
125% of FL	1736	-	8.1	Brake Voltage (DC)	--
75% of FL	1765	-	5.2	Brake Torque (N-M)	--
50% of FL	1777	-	4	Mechanical Data	
No Load	--	-	2.8	Bearing DE Side	6306ZZ
Hazardous Location	Class 1, Div 2, Grp A,B,C,D			Bearing NDE Side	6306ZZ
				Moment of Inertia	-- kg.m2
				Noise Level	Per NEMA dB (A)
CT VFD Range		--		Loaded Torque Curves	
				P1 = INPUT POWER (KW), S = Slip (% of Sync RPM), η = Efficiency (%), cosφ = Power Factor	
Certifications	UL	CSA	DOE		
File Numbers	323353	224693	096A		
Wiring Diagram	3PH 9 Lead IEC Dual Voltage				

Model Number	GR3-AL-TF-112MB34-4-B-D-5.5-230 460-60
MFG PN	T112M-4
List Price	--
Base Frame	GR-112MB34-AL-TF



MODEL NUMBER	GR-112MB34-AL	ISSUE DATE:	04/2025
DIMENSIONS	in		
CASTING MATERIAL	ALUMINUM	WWW.TECHTOPIND.COM	

Techtop Industries -2815 Colonnades Court - Peachtree Corners, GA 30071 - Phone: (678) 436-5540

Techtop Industries -2815 Colonnades Court - Peachtree Corners, GA 30071 - Phone: (678) 436-5540