



<b>Model Number</b>	<b>GR3-AL-TF-100LB35-2-B-D-5.5-230 460-60</b>
<b>MFG PN</b>	<b>T100L2-2</b>
<b>List Price</b>	--

All data shown at HIGH voltage setting

Format STD 3 Phase

Electrical Data		General Data	
Rated Motor Output Power	5.5 HP	Frame Size	100
Rated Motor Speed	3510 r/min	Enclosure	TEFC
Rated Motor Voltage (3 Phase)	230 460-60 Volts - HZ	Approximate Weight	56.32
Rated Motor Current	12.7 6.35 Amps	NEMA Design	A
Service Factor	1.15	IP Rating	55
KVA Code	L	Insulation Class	F
Nominal Efficiency	88.5 %	Tropicalization	YES
Nominal Power Factor	0.89 cosθ	Duty	Cont.
Full Load Torque Ft-Lb	7.582528 Ft-Lb	Cable Entry	M20 X 1.5
Temp Rise @ Full Load °C	36.2	Feet Removable	YES
Efficiency Level	IE3 - NEMA Premium	Double Drilled	NO

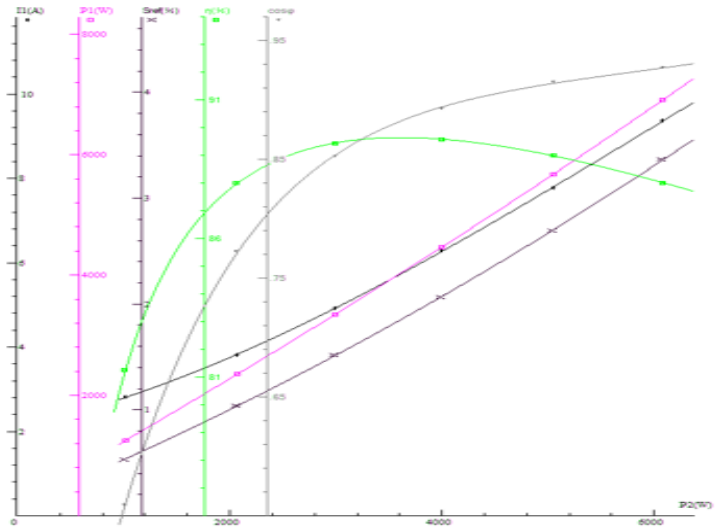
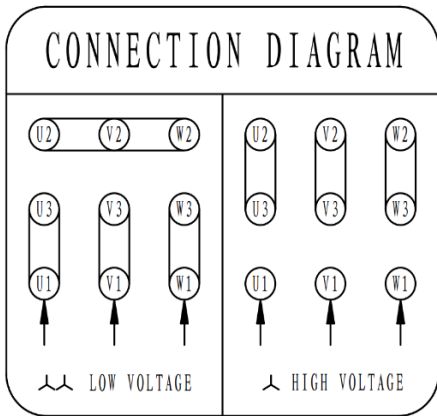
Load Data	RPM	Trq %FL	Current Amps	Mechanical Data	
Locked Rotor	-	--	--	Rated Ambient (°C)	40
Breakdown	-	--	-	Rated Altitude (M)	1000
Pull Up	-	--	-	Coating	7024 - Graphite Grey
125% of FL	3504	-	7.71	Shaft Grounding	NO
75% of FL	3545	-	4.92	Brake Voltage (DC)	--
50% of FL	3564	-	3.75	Brake Torque (N-M)	--
No Load	--	-	2.34		

Hazardous Location	<b>Class 1, Div 2, Grp A,B,C,D</b>		Moment of Inertia	-- kg.m2
			Noise Level	Per NEMA dB (A)

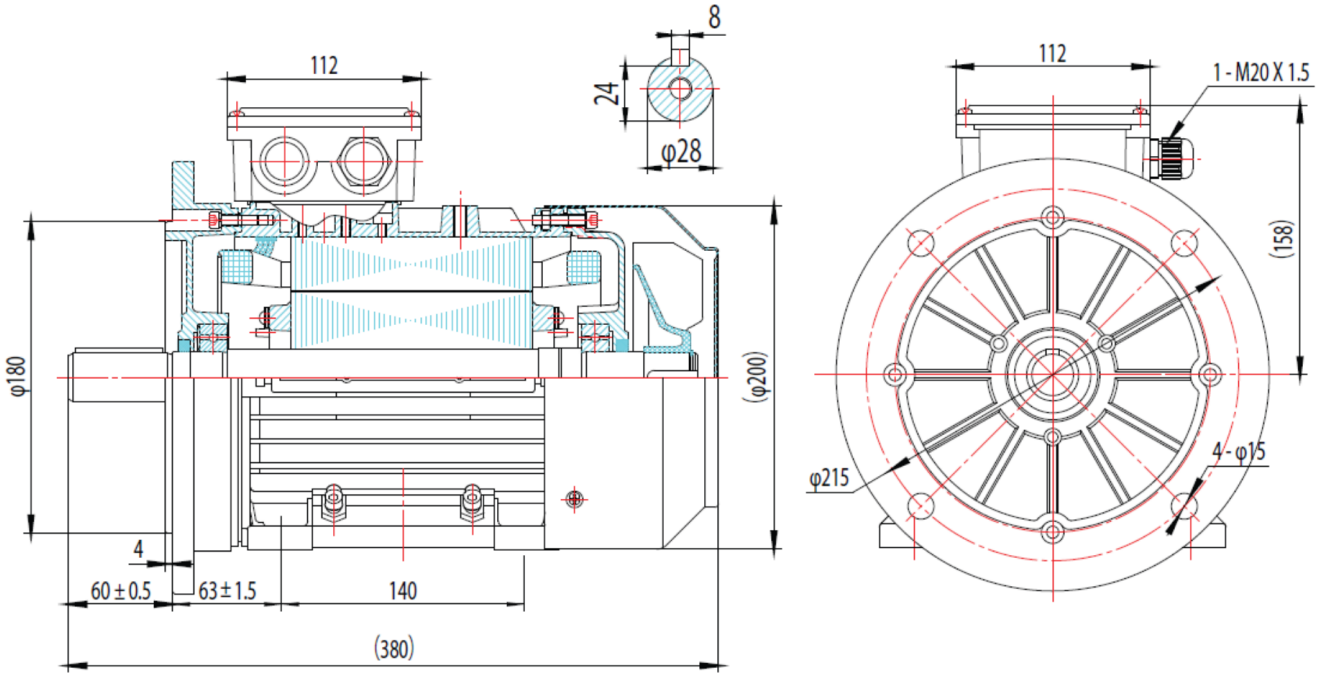
CT VFD Range	--	<b>Loaded Torque Curves</b>	--
<b>P1 = INPUT POWER (KW), S = Slip (% of Sync RPM), η = Efficiency (%), cosφ = Power Factor</b>			

Certifications	UL	CSA	DOE
File Numbers	323353	224693	096A

**Wiring Diagram** 3PH 9 Lead IEC Dual Voltage



Model Number	GR3-AL-TF-100LB35-2-B-D-5.5-230 460-60
MFG PN	T100L2-2
List Price	--
Base Frame	GR-100LB35-AL-TF



MODEL NUMBER	GR-100LB35-AL	ISSUE DATE:	04/2025
DIMENSIONS	in		
CASTING MATERIAL	ALUMINUM	WWW.TECHTOPIND.COM	

Techtop Industries -2815 Colonnades Court - Peachtree Corners, GA 30071 - Phone: (678) 436-5540

Techtop Industries -2815 Colonnades Court - Peachtree Corners, GA 30071 - Phone: (678) 436-5540