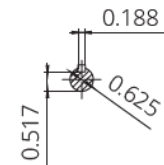
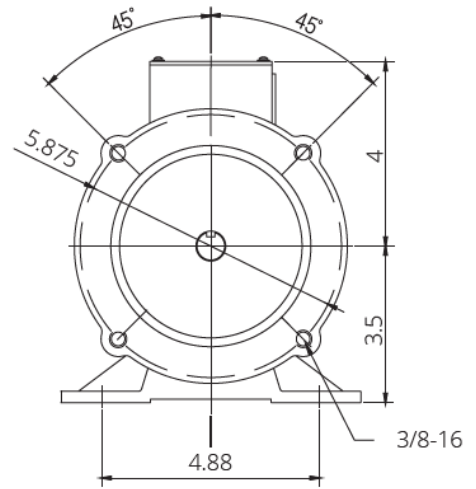
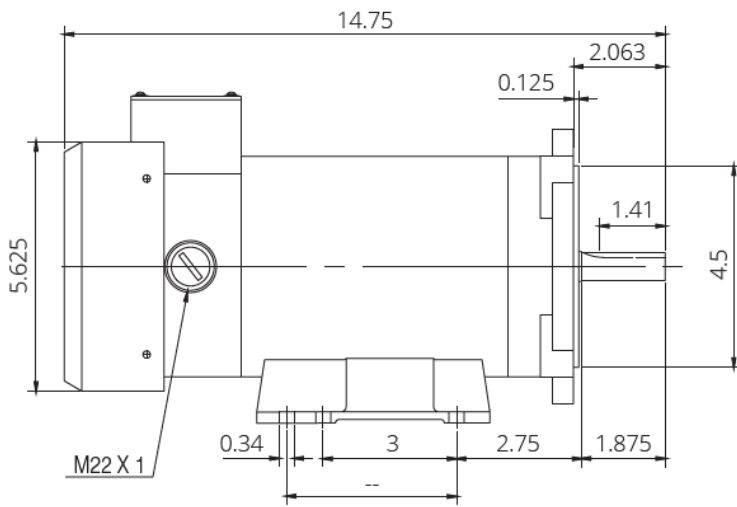




				<b>Model Number</b>	DC12-12-56-FC-12V	
				<b>MFG PN</b>	123ZYT39.0A	
				<b>List Price</b>	--	
All data shown at HIGH voltage setting					Format	STD 1 Phase
<b>Electrical Data</b>				<b>General Data</b>		
Rated Motor Output Power	0.5 HP			Frame Size	56	
Rated Motor Speed	1,750 r/min			Enclosure	TEFC	
Rated Motor Voltage (1 Phase)	12V Volts - HZ			Approximate Weight		
Rated Motor Current	39.0A Amps			NEMA Design		
Service Factor	1			IP Rating	54	
KVA Code				Insulation Class	F	
Nominal Efficiency	%			Tropicalization	Yes	
Nominal Power Factor	cosθ			Duty	CONT	
Full Load Torque Ft-Lb	Ft-Lb			Cable Entry	M22 X 1	
Temp Rise @ Full Load °C				Feet Removable	YES	
Efficiency Level				Double Drilled	NO	
<b>Load Data</b>	<b>RPM</b>	<b>Trq %FL</b>	<b>Current Amps</b>	Rated Ambient (°C)	40	
Locked Rotor	-			Rated Altitude (M)	1000	
Breakdown	-		-	Coating	7058 - Graphite Grey	
Pull Up	-		-	Start Capacitor (µF / V / Qty)		
125% of FL		-		Run Capacitor (µF / V / Qty)		
75% of FL		-		Centrifugal Switch Type		
50% of FL		-		<b>Mechanical Data</b>		
No Load		-		Bearing DE Side		
Hazardous Location	CLII/II Div2 Grp C,D/F,G			Bearing NDE Side		
				Moment of Inertia	kg.m2	
				Noise Level	Per NEMA dB (A)	
CT VFD Range			--	<b>Loaded Torque Curves</b>		
				<b>P1 = INPUT POWER (KW), S = Slip (% of Sync RPM), η = Efficiency (%), cosφ = Power Factor</b>		
<b>Certifications</b>	<b>UL</b>	<b>CSA</b>	<b>DOE</b>			
<b>File Numbers</b>	<b>323353</b>	<b>224693</b>	<b>096A</b>			
<b>Wiring Diagram</b>						
Techopt Industries -2815 Colonnades Court - Peachtree Corners, GA 30071 - Phone: (678) 436-5540						



MODEL NUMBER:

DC-56-FC

MFG PN:

REV. BY DATE

1

2

3

4

5

6

7

CHANGES

MATERIAL: ROLLED STEEL

UNITS: INCH BY: ARE

DATE: 4/12/2018

WWW.TECHTOP.COM