



Model Number CB3-AL-TF-56C-4-B-D-.75-230|460-60

MFG PN T56 3/4U4B

List Price --

All data shown at HIGH voltage setting

Format STD 3 Phase

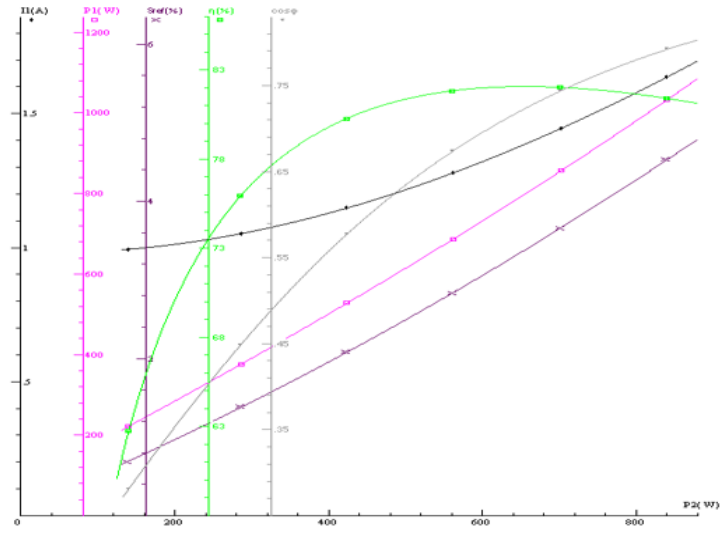
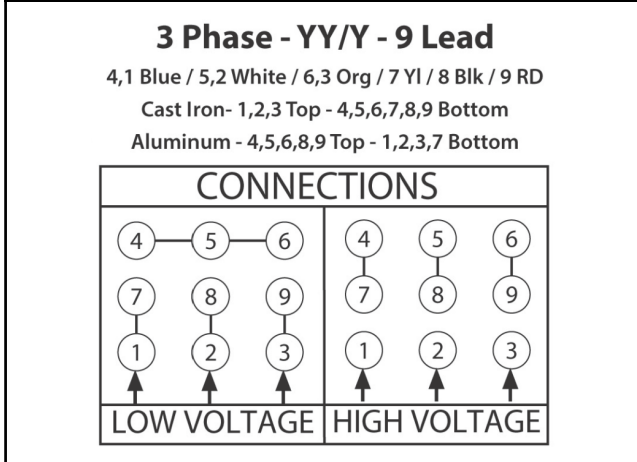
Electrical Data		General Data	
Rated Motor Output Power	0.75 HP	Frame Size	56
Rated Motor Speed	1748 r/min	Enclosure	TEFC
Rated Motor Voltage (3 Phase)	230 460-60 Volts - HZ	Approximate Weight	20.1
Rated Motor Current	2.5/1.25 Amps	NEMA Design	B
Service Factor	1.25	IP Rating	55
KVA Code	L	Insulation Class	F
Nominal Efficiency	81.5 %	Tropicalization	YES
Nominal Power Factor	0.68 cosθ	Duty	Cont.
Full Load Torque Ft-Lb	2.21 Ft-Lb	Cable Entry	1.25
Temp Rise @ Full Load °C	29.7	Feet Removable	YES
Efficiency Level	IE3 - NEMA Premium	Double Drilled	NO

Load Data	RPM	Trq %FL	Current Amps	Mechanical Data	
Locked Rotor	-	339	6.76	Rated Ambient (°C)	40
Breakdown	-	390	-	Rated Altitude (M)	1000
Pull Up	-	273	-	Coating	7024 - Graphite Grey
125% of FL	1739	-	1.45	Shaft Grounding	YES
75% of FL	1762	-	1.23	Brake Voltage (DC)	--
50% of FL	1775	-	1.14	Brake Torque (N-M)	--
No Load	--	-	0.99		

Hazardous Location	Class 1, Div2 Grp A,B,C, D			Bearing DE Side	6204 ZZ
				Bearing NDE Side	6204 ZZ
				Moment of Inertia	-- kg.m2
				Noise Level	Per NEMA dB (A)

CT VFD Range	--	Loaded Torque Curves	
P1 = INPUT POWER (KW), S = Slip (% of Sync RPM), η = Efficiency (%), cosφ = Power Factor			

Certifications	UL	CSA	DOE
File Numbers	323353	224693	096A
Wiring Diagram	3PH 9 Lead Dual Voltage		



FRAME: 56C	HP:	RPM:	PHASE: 3	VOLT: 230/460V	ENCL: TEFC	FREQ: 60 Hz	FLA:	LRA:
------------	-----	------	----------	----------------	------------	-------------	------	------

