



**Model Number** CB3-AL-TF-56C-4-B-D-.5-230|460-60

**MFG PN** T56 1/2U4B

**List Price** --

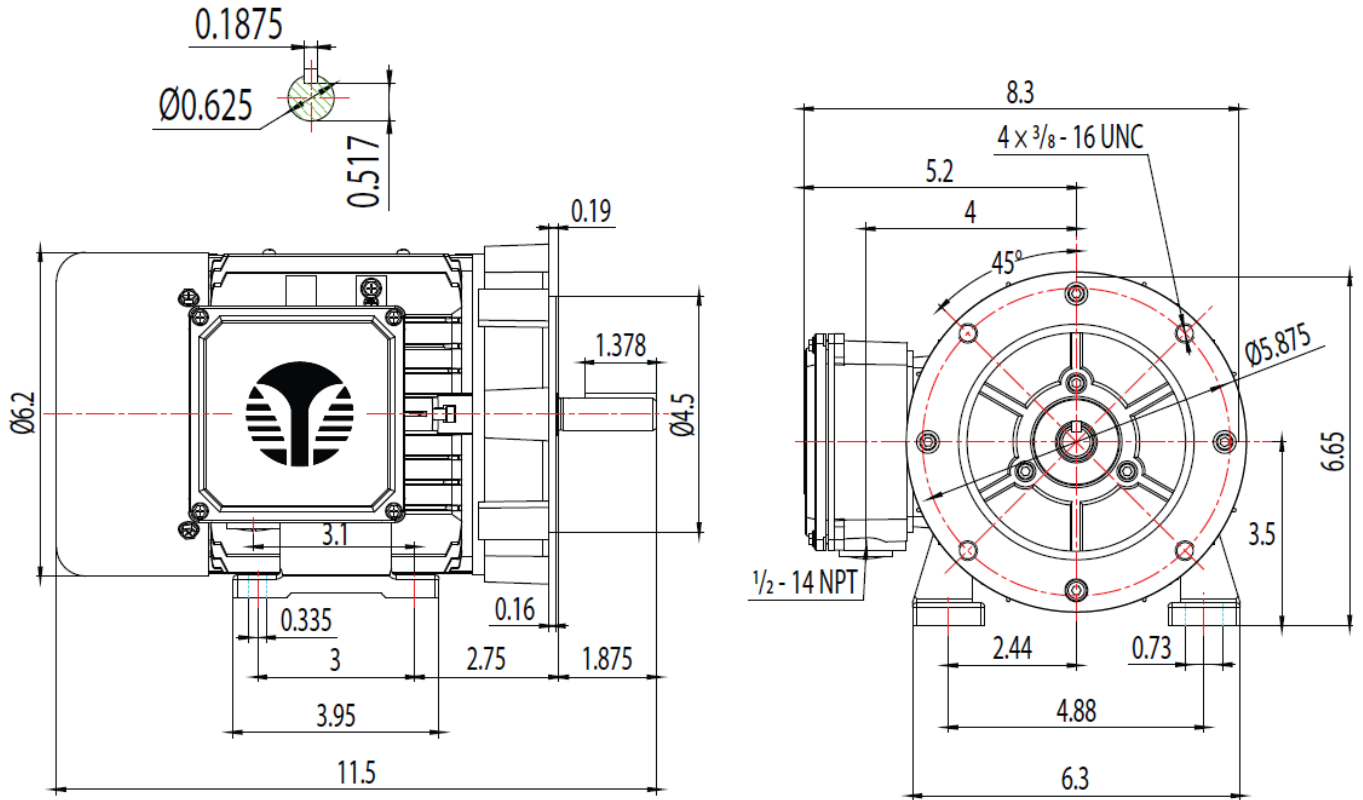
All data shown at HIGH voltage setting

Format | STD 3 Phase

Electrical Data				General Data																									
Rated Motor Output Power	0.5 HP			Frame Size	56																								
Rated Motor Speed	1750 r/min			Enclosure	TEFC																								
Rated Motor Voltage (3 Phase)	230 460-60 Volts - HZ			Approximate Weight	17.57																								
Rated Motor Current	1.8/0.90 Amps			NEMA Design	B																								
Service Factor	1.25			IP Rating	55																								
KVA Code	L			Insulation Class	F																								
Nominal Efficiency	78.5 %			Tropicalization	YES																								
Nominal Power Factor	0.66 cosθ			Duty	Cont																								
Full Load Torque Ft-Lb	2.05 Ft-Lb			Cable Entry	1.25																								
Temp Rise @ Full Load °C	25.4			Feet Removable	YES																								
Efficiency Level	IE3 - NEMA Premium			Double Drilled	NO																								
Load Data	RPM	Trq %FL	Current Amps	Rated Ambient (°C)	40																								
Locked Rotor	-	324	5.7	Rated Altitude (M)	1000																								
Breakdown	-	374	-	Coating	7024 - Graphite Grey																								
Pull Up	-	273	-	Shaft Grounding	YES																								
125% of FL	1735	-	1.01	Brake Voltage (DC)																									
75% of FL	1764	-	0.818	Brake Torque (N-M)																									
50% of FL	1776	-	0.75	Mechanical Data																									
No Load		-	0.71	Bearing DE Side	6204 ZZ																								
Hazardous Location	Class 1, Div2 Grp A,B,C, D			Bearing NDE Side	6204 ZZ																								
				Moment of Inertia	kg.m2																								
				Noise Level	Per NEMA dB (A)																								
CT VFD Range		--		Loaded Torque Curves																									
				P1 = INPUT POWER (KW), S = Slip (% of Sync RPM), η = Efficiency (%), cosφ = Power Factor																									
Certifications	UL	CSA	DOE																										
File Numbers	323353	224693	096A																										
Wiring Diagram	3PH 9 Lead Dual Voltage																												
<p><b>3 Phase - YY/Y - 9 Lead</b>            4,1 Blue / 5,2 White / 6,3 Org / 7 Yl / 8 Blk / 9 RD            Cast Iron- 1,2,3 Top - 4,5,6,7,8,9 Bottom            Aluminum - 4,5,6,8,9 Top - 1,2,3,7 Bottom</p> <p><b>CONNECTIONS</b></p> <table border="1"> <tr> <td>4</td><td>5</td><td>6</td> <td>4</td><td>5</td><td>6</td> </tr> <tr> <td>7</td><td>8</td><td>9</td> <td>7</td><td>8</td><td>9</td> </tr> <tr> <td>1</td><td>2</td><td>3</td> <td>1</td><td>2</td><td>3</td> </tr> <tr> <td colspan="3">LOW VOLTAGE</td> <td colspan="3">HIGH VOLTAGE</td> </tr> </table>						4	5	6	4	5	6	7	8	9	7	8	9	1	2	3	1	2	3	LOW VOLTAGE			HIGH VOLTAGE		
4	5	6	4	5	6																								
7	8	9	7	8	9																								
1	2	3	1	2	3																								
LOW VOLTAGE			HIGH VOLTAGE																										
<p>Techtop Industries -2815 Colonnades Court - Peachtree Corners, GA 30071 - Phone: (678) 436-5540</p>																													

Model Number	CB3-AL-TF-56C-4-B-D-.5-230 460-60
MFG PN	T56 1/2U4B
List Price	--
Base Frame	CB-56C-AL-TF

FRAME: 56C    HP:    RPM:    PHASE: 3    VOLT: 230/460V    ENCL: TEFC    FREQ: 60 Hz    FLA:    LRA:



REV.	BY	DATE
1		
2		
3		
4		
5		
6		
7		