



Model Number CB3-AL-TF-56C-4-B-D-.33-230|460-60

MFG PN T56 1/3U4B

List Price --

All data shown at HIGH voltage setting

Format | STD 3 Phase

Electrical Data				General Data	
Rated Motor Output Power	0.33 HP			Frame Size	56
Rated Motor Speed	1750 r/min			Enclosure	TEFC
Rated Motor Voltage (3 Phase)	230 460-60 Volts - HZ			Approximate Weight	15.62
Rated Motor Current	1.34/0.67 Amps			NEMA Design	B
Service Factor	1.25			IP Rating	55
KVA Code	K			Insulation Class	F
Nominal Efficiency	74 %			Tropicalization	YES
Nominal Power Factor	0.63 cosθ			Duty	Cont.
Full Load Torque Ft-Lb	3.04 Ft-Lb			Cable Entry	1.25
Temp Rise @ Full Load °C	21.7			Feet Removable	YES
Efficiency Level	IE3 - NEMA Premium			Double Drilled	NO
Load Data	RPM	Trq %FL	Current Amps	Rated Ambient (°C)	40
Locked Rotor	-	350	3.9	Rated Altitude (M)	1000
Breakdown	-	380	-	Coating	7024 - Graphite Grey
Pull Up	-	273	-	Shaft Grounding	YES
125% of FL	1735	-	0.73	Brake Voltage (DC)	--
75% of FL	1763	-	0.61	Brake Torque (N-M)	--
50% of FL	1775	-	0.58	Mechanical Data	
No Load	--	-	0.56	Bearing DE Side	6204 ZZ
Hazardous Location	Class 1, Div2 Grp A,B,C, D			Bearing NDE Side	6204 ZZ
				Moment of Inertia	-- kg.m2
				Noise Level	Per NEMA dB (A)

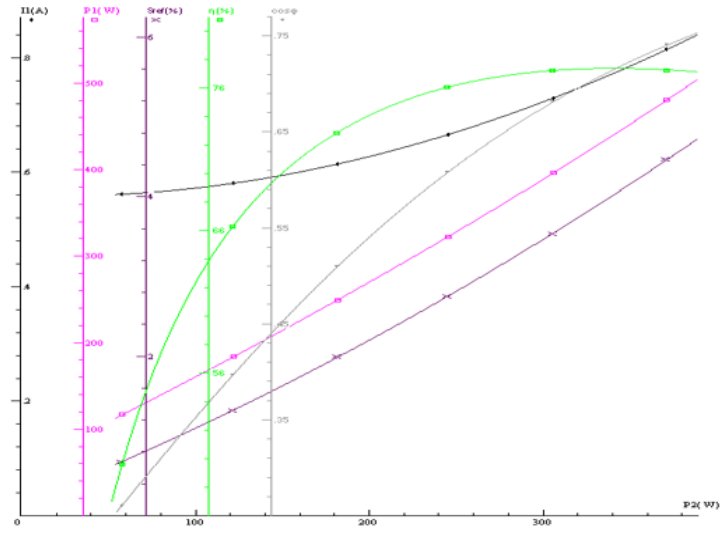
CT VFD Range	--	Loaded Torque Curves	--
P1 = INPUT POWER (KW), S = Slip (% of Sync RPM), η = Efficiency (%), cosφ = Power Factor			

Certifications	UL	CSA	DOE
File Numbers	323353	224693	096A
Wiring Diagram	3PH 9 Lead Dual Voltage		

3 Phase - YY/Y - 9 Lead
 4,1 Blue / 5,2 White / 6,3 Org / 7 Yl / 8 Blk / 9 RD
 Cast Iron- 1,2,3 Top - 4,5,6,7,8,9 Bottom
 Aluminum - 4,5,6,8,9 Top - 1,2,3,7 Bottom

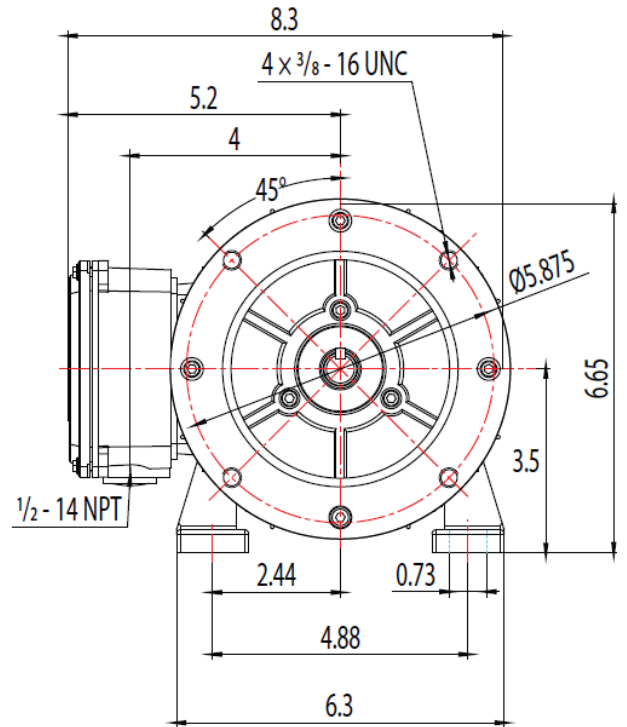
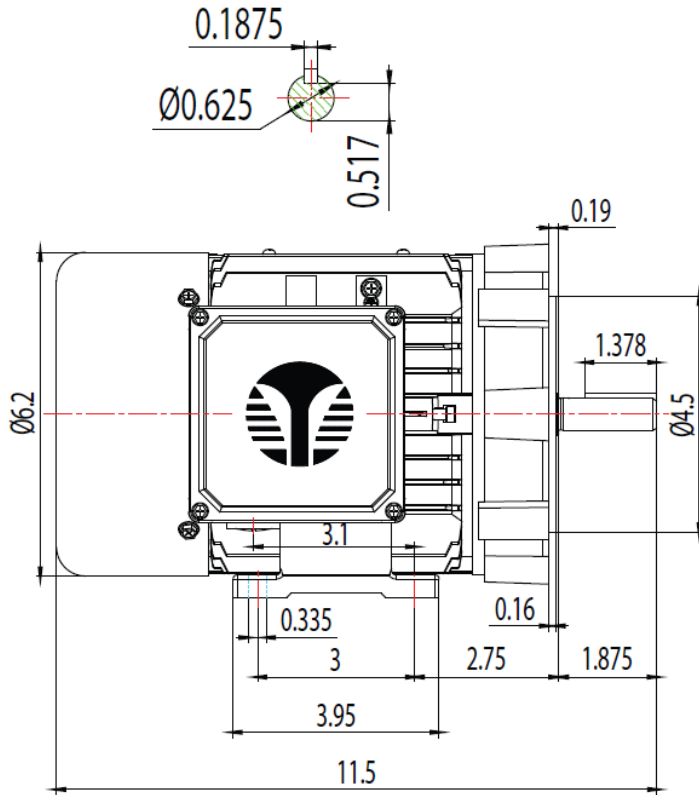
CONNECTIONS

4	5	6	4	5	6
7	8	9	7	8	9
1	2	3	1	2	3
↑ LOW VOLTAGE			↑ HIGH VOLTAGE		



Model Number	CB3-AL-TF-56C-4-B-D-.33-230 460-60
MFG PN	T56 1/3U4B
List Price	--
Base Frame	CB-56C-AL-TF

FRAME: 56C HP: RPM: PHASE: 3 VOLT: 230/460V ENCL: TEFC FREQ: 60 Hz FLA: LRA:




MATERIAL: ALUMINUM
 UNITS: INCH BY: SSEE
 DRAWN: 1/3/2019
 WWW.TECHTOP.COM

MODEL NUMBER:
 CB3-AL-TF-56C
 MFG PN:

REV.	BY	DATE
1		
2		
3		
4		
5		
6		
7		

CHANGES