



Model Number BK3-CI-TF-445T-6-RR-G-125-230|460-60

MFG PN --

List Price --

All data shown at HIGH voltage setting

Format | STD 3 Phase

Electrical Data		General Data	
Rated Motor Output Power	125 HP	Frame Size	445
Rated Motor Speed	-- r/min	Enclosure	TEFC
Rated Motor Voltage (3 Phase)	230 460-60 Volts - HZ	Approximate Weight	1742.4
Rated Motor Current	-- Amps	NEMA Design	--
Service Factor	--	IP Rating	--
KVA Code	--	Insulation Class	--
Nominal Efficiency	-- %	Tropicalization	YES
Nominal Power Factor	-- cosθ	Duty	--
Full Load Torque Ft-Lb	-- Ft-Lb	Cable Entry	1.25
Temp Rise @ Full Load °C	--	Feet Removable	YES
Efficiency Level	IE3 - NEMA Premium	Double Drilled	NO

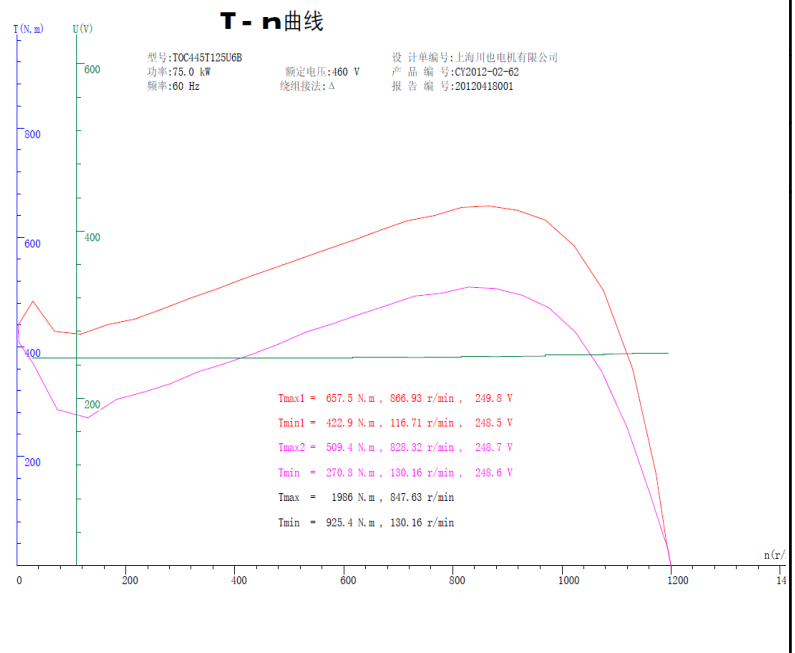
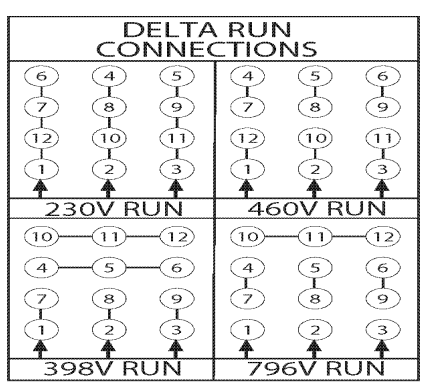
Load Data	RPM	Trq %FL	Current Amps	Mechanical Data	
Locked Rotor	-	--	--	Bearing DE Side	--
Breakdown	-	--	-	Bearing NDE Side	--
Pull Up	-	--	-	Moment of Inertia	-- kg.m2
125% of FL	--	-	--	Noise Level	Per NEMA dB (A)
75% of FL	--	-	--		
50% of FL	--	-	--		
No Load	--	-	--		

Hazardous Location	CL/II Div2 Grp C,D/F,G		Rated Ambient (°C)	--
--------------------	------------------------	--	--------------------	----

CT VFD Range	--	Loaded Torque Curves	
P1 = INPUT POWER (KW), S = Slip (% of Sync RPM), η = Efficiency (%), cosφ = Power Factor			

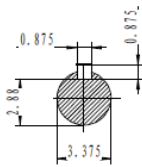
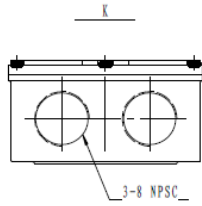
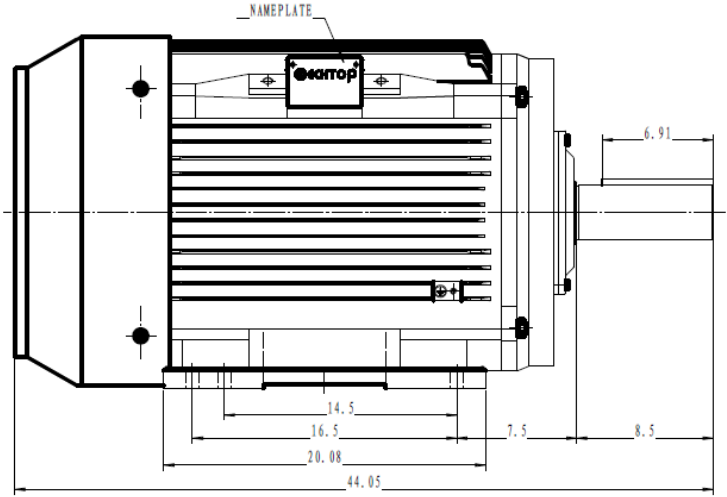
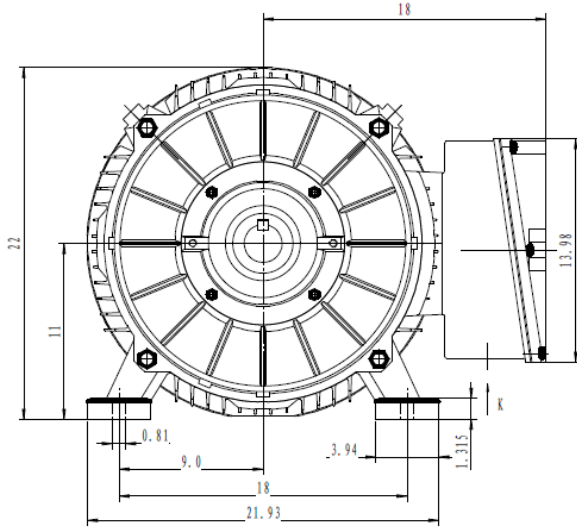
Certifications	UL	CSA	DOE
File Numbers	323353	224693	096A

Wiring Diagram 3PH 12 Lead Dual Voltage





Model Number	BK3-CI-TF-445T-6-RR-G-125-230 460-60
MFG PN	--
List Price	--
Base Frame	BK-445T-CI-TF



TECHTOP Shanghai HIMAK Electrical Machinery CO., LTD.		NEMA TEFC 444T	
Design	Standard	NO:	TFC444T100U6B
Checker	Allow	STEP MARK	1:4 BDR Cast iron Motor
Auditor	Date		

Techtop Industries -2815 Colonnades Court - Peachtree Corners, GA 30071 - Phone: (678) 436-5540