



**Model Number** BK3-CI-TF-444T-6-RR-G-75-230|460-60

**MFG PN** --

**List Price** --

All data shown at HIGH voltage setting

Format | STD 3 Phase

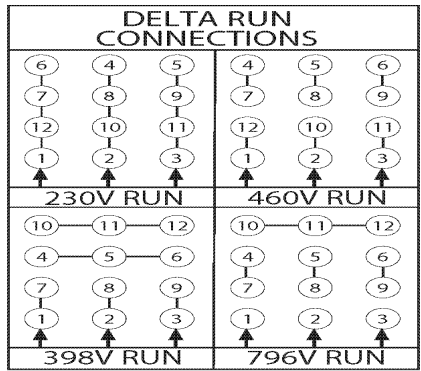
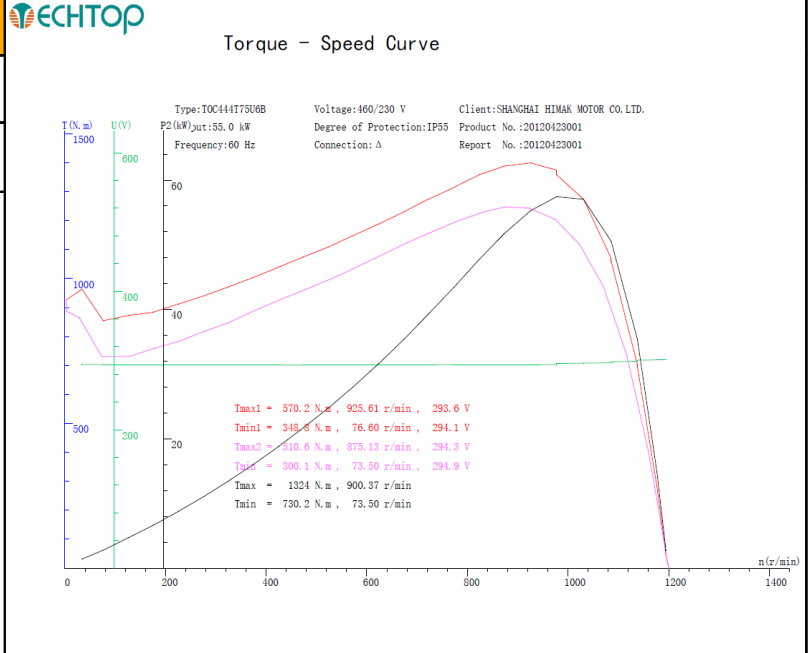
Electrical Data		General Data	
Rated Motor Output Power	75 HP	Frame Size	444
Rated Motor Speed	-- r/min	Enclosure	TEFC
Rated Motor Voltage (3 Phase)	230 460-60 Volts - HZ	Approximate Weight	--
Rated Motor Current	-- Amps	NEMA Design	--
Service Factor	--	IP Rating	--
KVA Code	--	Insulation Class	--
Nominal Efficiency	-- %	Tropicalization	YES
Nominal Power Factor	-- cosθ	Duty	--
Full Load Torque Ft-Lb	-- Ft-Lb	Cable Entry	1.25
Temp Rise @ Full Load °C	--	Feet Removable	YES
Efficiency Level	IE3 - NEMA Premium	Double Drilled	NO

Load Data	RPM	Trq %FL	Current Amps	Mechanical Data	
Locked Rotor	-	--	--	Rated Ambient (°C)	--
Breakdown	-	--	-	Rated Altitude (M)	1000
Pull Up	-	--	-	Coating	7024 - Graphite Grey
125% of FL	--	-	--	Shaft Grounding	NO
75% of FL	--	-	--	Brake Voltage (DC)	--
50% of FL	--	-	--	Brake Torque (N-M)	--
No Load	--	-	--		

Hazardous Location	CL/II Div2 Grp C,D/F,G			Bearing DE Side	--
				Bearing NDE Side	--
				Moment of Inertia	-- kg.m2
				Noise Level	Per NEMA dB (A)

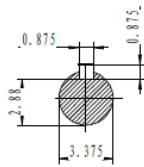
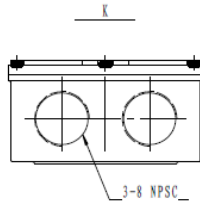
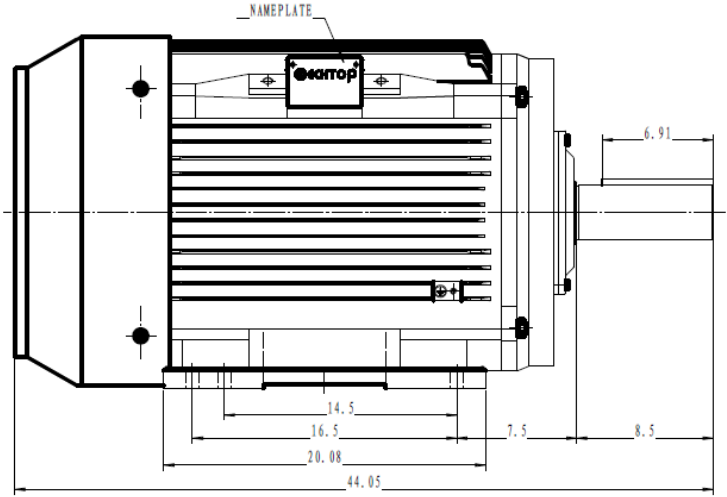
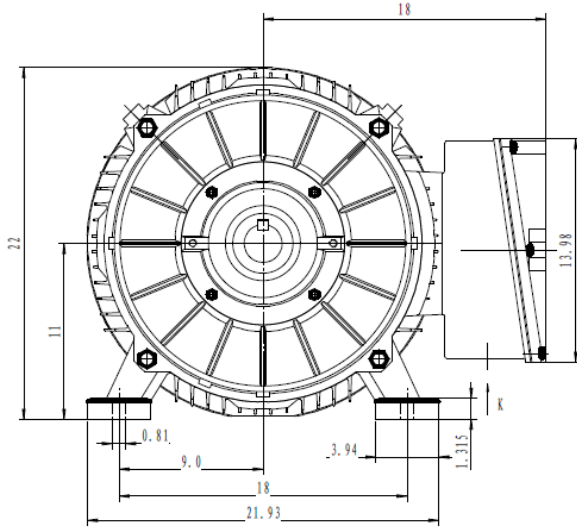
CT VFD Range	--	<b>Loaded Torque Curves</b>	--
<b>P1 = INPUT POWER (KW), S = Slip (% of Sync RPM), η = Efficiency (%), cosφ = Power Factor</b>			

Certifications	UL	CSA	DOE
File Numbers	323353	224693	096A
Wiring Diagram	3PH 12 Lead Dual Voltage		





Model Number	BK3-CI-TF-444T-6-RR-G-75-230 460-60
MFG PN	--
List Price	--
Base Frame	BK-444T-CI-TF



<b>TECHTOP</b> Shanghai HIMAK Electrical Machinery CO., LTD.		NEMA TEFC 444T	
Design	Standard	NO:	TPC444T100U6B
Checker	Allow	STEP MARK	1:4 GDR Cast iron Motor
Auditor	Date		

Techtop Industries -2815 Colonnades Court - Peachtree Corners, GA 30071 - Phone: (678) 436-5540